

# SACB- 8/3-10,0PUR-M8 - Distributor box



1551095

<https://www.phoenixcontact.com/us/products/1551095>

Please be informed that the data shown in this PDF document is generated from our online catalog. Please find the complete data in the user documentation. Our general terms of use for downloads are valid.



Distributor box, connection method: M8 socket, number of slots: 8, number of positions: 3, coding: A, slot assignment: single, status display: no, Universal; master cable connection: Fixed connection 180°, PUR/PVC, cable length: 10 m, shielding: no

Figure shows version with diagnostic and status indicator

## Commercial data

Item number	1551095
Packing unit	1 pc
Note	Made to order (non-returnable)
Sales key	BF40
Product key	AF3BCA
GTIN	4046356152099
Weight per piece (including packing)	1,072.4 g
Weight per piece (excluding packing)	1,072.4 g
Customs tariff number	85444290
Country of origin	PL

# SACB- 8/3-10,0PUR-M8 - Distributor box



1551095

<https://www.phoenixcontact.com/us/products/1551095>

## Technical data

### Product properties

Product type	Distributor box
Number of positions	3
Number of slots	8
Coding	A
LED	no

### Electrical properties

Nominal voltage $U_N$	48 V
	60 V DC
Rated current, total	6 A
Max. current carrying capacity per path	2 A
Current carrying capacity per slot	2 A

### Connection data

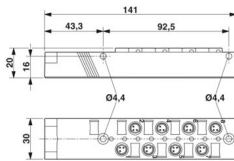
#### Conductor connection

Sensor/actuator connection system	M8 socket
Tightening torque slot sensor/actuator cable	0.2 Nm

### Signaling

Status display present	no
------------------------	----

### Dimensions

Dimensional drawing	
Width	30 mm
Height	22 mm
Length	141 mm

### Material specifications

Material Threaded sleeve	Cu alloy
Material Housing	PBT
Material Molding compound	PUR
Flammability rating according to UL 94	V0
Seal material O-ring	NBR
Contact material	CuSn
Contact surface material	Ni/Au

# SACB- 8/3-10,0PUR-M8 - Distributor box



1551095

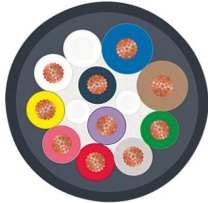
<https://www.phoenixcontact.com/us/products/1551095>

Contact carrier material	PA
--------------------------	----

## Cable/line

Cable length	10 m
--------------	------

PUR/PVC black [PUR]

Dimensional drawing	
Cable weight	92 kg/km
UL AWM Style	20549
Number of positions	10
Shielded	no
Cable type	PUR/PVC black [PUR]
Conductor structure signal line	19x 0.15 mm
AWG signal line	22
Conductor structure, voltage supply	42x 0.15 mm
AWG power supply	18
Conductor cross-section	8x 0.34 mm <sup>2</sup> (Signal line) 2x 0.75 mm <sup>2</sup> (power line)
Wire diameter incl. insulation	1.3 mm ±0.1 mm (Signal line) 1.8 mm ±0.1 mm (power line)
External cable diameter	7.90 mm ±0.2 mm
Outer sheath, material	PUR
External sheath, color	black RAL 9005
Conductor material	Bare Cu litz wires
Material wire insulation	PVC
Single wire, color	brown, blue, white, green, yellow, gray, pink, red, black, violet
Inner sheath thickness	≥ 0.15 mm
Thickness, outer sheath	≥ 0.38 mm
Overall twist	Wires twisted in layers
Nominal voltage, cable	300 V
Test voltage	2000 V
Minimum bending radius, fixed installation	7.5 x D
Minimum bending radius, flexible installation	10 x D
Smallest bending radius, fixed installation	60 mm
Smallest bending radius, movable installation	79 mm
Dynamic load capacity (bending)	Max. bending cycles: 1500000, Bending radius: 79 mm, Traversing path: 2 m, Traversing rate: 2 m/s

# SACB- 8/3-10,0PUR-M8 - Distributor box



1551095

<https://www.phoenixcontact.com/us/products/1551095>

Flame resistance	DIN EN 50265
Resistance to oil	according to VDE 0472 Part 803
Other resistance	Highly resistant to acids, alkaline solutions and solvents
Special properties	Silicone-free
Ambient temperature (operation)	-40 °C ... 90 °C (cable, fixed installation)
	-5 °C ... 80 °C (Cable, flexible installation)
	80 °C (in acc. with UL)

## Environmental and real-life conditions

### Ambient conditions

Degree of protection	IP65
	IP67
Ambient temperature (operation)	-30 °C ... 80 °C

## Standards and regulations

Standard designation	M12 connector
Standards/specifications	IEC 61076-2-104

# SACB- 8/3-10,0PUR-M8 - Distributor box



1551095

<https://www.phoenixcontact.com/us/products/1551095>

## Drawings

Dimensional drawing

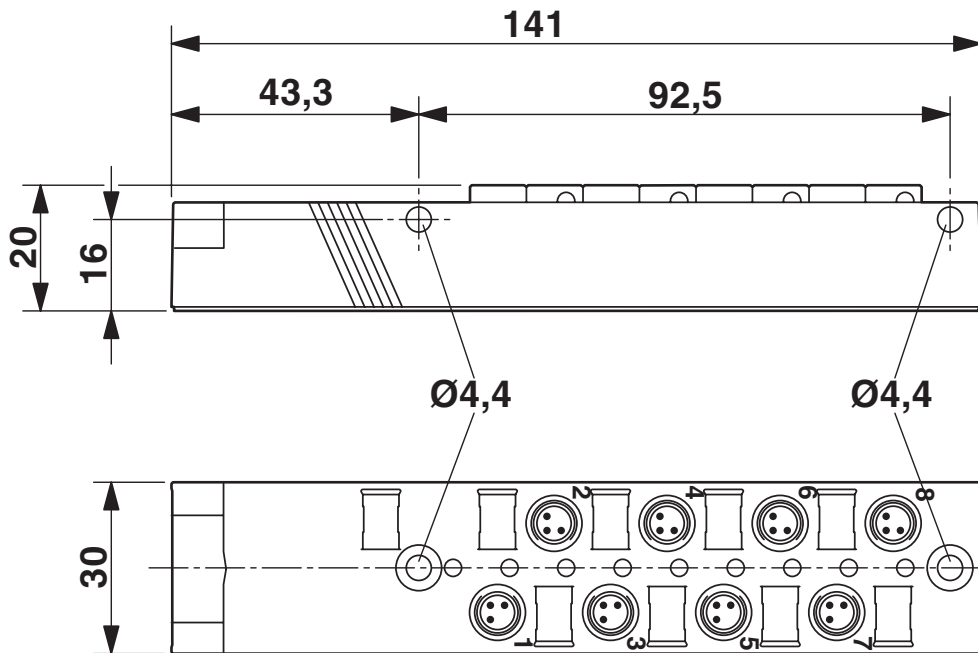


Figure shows version with diagnostic and status indicator

# SACB- 8/3-10,0PUR-M8 - Distributor box

1551095

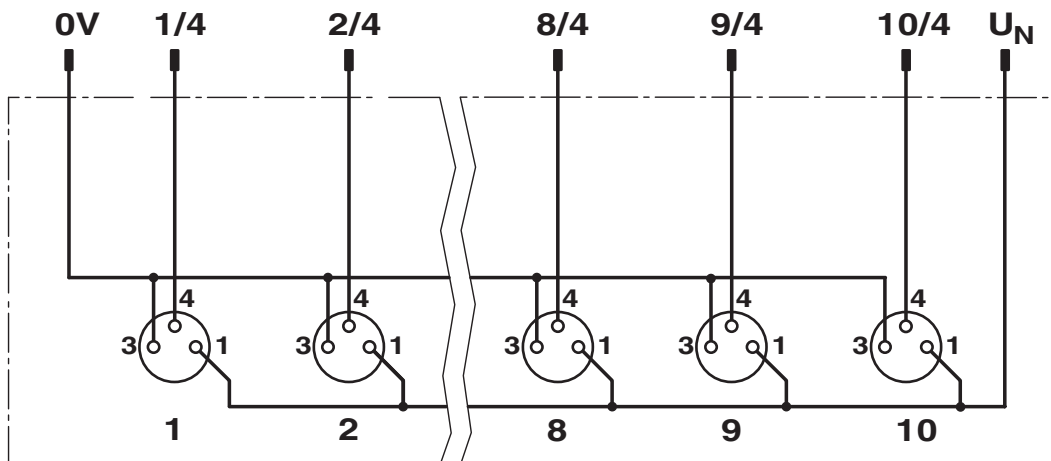
<https://www.phoenixcontact.com/us/products/1551095>

Schematic diagram



M8 slot, socket, 3-pos.

Circuit diagram



# SACB- 8/3-10,0PUR-M8 - Distributor box



1551095

<https://www.phoenixcontact.com/us/products/1551095>

## Classifications

### ECLASS

ECLASS-13.0	27440108
ECLASS-15.0	27440108

# SACB- 8/3-10,0PUR-M8 - Distributor box



1551095

<https://www.phoenixcontact.com/us/products/1551095>

## Environmental product compliance

### China RoHS

Environment friendly use period (EFUP)	EFUP-50
	An article-related China RoHS declaration table can be found in the download area for the respective article under "Manufacturer declaration". For all articles with EFUP-E, no China RoHS declaration table issued and required.

### EU REACH SVHC

REACH candidate substance (CAS No.)	No substance above 0.1 wt%
-------------------------------------	----------------------------

Phoenix Contact 2026 © - all rights reserved  
<https://www.phoenixcontact.com>

Phoenix Contact USA  
586 Fulling Mill Road  
Middletown, PA 17057, United States  
(+717) 944-1300  
[info@phoenixcon.com](mailto:info@phoenixcon.com)