

SACB- 8/3- 5,0PUR-M8 - Distributor box



1551082

<https://www.phoenixcontact.com/us/products/1551082>

Please be informed that the data shown in this PDF document is generated from our online catalog. Please find the complete data in the user documentation. Our general terms of use for downloads are valid.



Distributor box, connection method: M8 socket, number of slots: 8, number of positions: 3, coding: A, slot assignment: single, status display: no, Universal; master cable connection: Fixed connection 180°, PUR/PVC, cable length: 5 m, shielding: no

Figure shows version with diagnostic and status indicator

Commercial data

| | |
|--------------------------------------|--------------------------------|
| Item number | 1551082 |
| Packing unit | 1 pc |
| Note | Made to order (non-returnable) |
| Sales key | BF40 |
| Product key | AF3BCA |
| GTIN | 4046356152105 |
| Weight per piece (including packing) | 615.8 g |
| Weight per piece (excluding packing) | 615.8 g |
| Customs tariff number | 85444290 |
| Country of origin | PL |

SACB- 8/3- 5,0PUR-M8 - Distributor box



1551082

<https://www.phoenixcontact.com/us/products/1551082>

Technical data

Product properties

| | |
|---------------------|-----------------|
| Product type | Distributor box |
| Number of positions | 3 |
| Number of slots | 8 |
| Coding | A |
| LED | no |

Electrical properties

| | |
|---|---------|
| Nominal voltage U_N | 48 V |
| | 60 V DC |
| Rated current, total | 6 A |
| Max. current carrying capacity per path | 2 A |
| Current carrying capacity per slot | 2 A |

Connection data

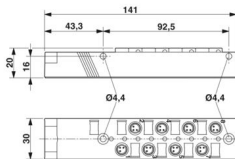
Conductor connection

| | |
|--|-----------|
| Sensor/actuator connection system | M8 socket |
| Tightening torque slot sensor/actuator cable | 0.2 Nm |

Signaling

| | |
|------------------------|----|
| Status display present | no |
|------------------------|----|

Dimensions

| | |
|---------------------|--|
| Dimensional drawing |  |
| Width | 30 mm |
| Height | 22 mm |
| Length | 141 mm |

Material specifications

| | |
|--|----------|
| Material Threaded sleeve | Cu alloy |
| Material Housing | PBT |
| Material Molding compound | PUR |
| Flammability rating according to UL 94 | V0 |
| Seal material O-ring | NBR |
| Contact material | CuSn |
| Contact surface material | Ni/Au |

SACB- 8/3- 5,0PUR-M8 - Distributor box



1551082

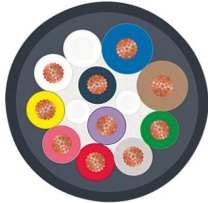
<https://www.phoenixcontact.com/us/products/1551082>

| | |
|--------------------------|----|
| Contact carrier material | PA |
|--------------------------|----|

Cable/line

| | |
|--------------|-----|
| Cable length | 5 m |
|--------------|-----|

PUR/PVC black [PUR]

| | |
|---|---|
| Dimensional drawing |  |
| Cable weight | 92 kg/km |
| UL AWM Style | 20549 |
| Number of positions | 10 |
| Shielded | no |
| Cable type | PUR/PVC black [PUR] |
| Conductor structure signal line | 19x 0.15 mm |
| AWG signal line | 22 |
| Conductor structure, voltage supply | 42x 0.15 mm |
| AWG power supply | 18 |
| Conductor cross-section | 8x 0.34 mm ² (Signal line) 2x 0.75 mm ² (power line) |
| Wire diameter incl. insulation | 1.3 mm ±0.1 mm (Signal line) 1.8 mm ±0.1 mm (power line) |
| External cable diameter | 7.90 mm ±0.2 mm |
| Outer sheath, material | PUR |
| External sheath, color | black RAL 9005 |
| Conductor material | Bare Cu litz wires |
| Material wire insulation | PVC |
| Single wire, color | brown, blue, white, green, yellow, gray, pink, red, black, violet |
| Inner sheath thickness | ≥ 0.15 mm |
| Thickness, outer sheath | ≥ 0.38 mm |
| Overall twist | Wires twisted in layers |
| Nominal voltage, cable | 300 V |
| Test voltage | 2000 V |
| Minimum bending radius, fixed installation | 7.5 x D |
| Minimum bending radius, flexible installation | 10 x D |
| Smallest bending radius, fixed installation | 60 mm |
| Smallest bending radius, movable installation | 79 mm |
| Dynamic load capacity (bending) | Max. bending cycles: 1500000, Bending radius: 79 mm, Traversing path: 2 m, Traversing rate: 2 m/s |

SACB- 8/3- 5,0PUR-M8 - Distributor box



1551082

<https://www.phoenixcontact.com/us/products/1551082>

| | |
|---------------------------------|--|
| Flame resistance | DIN EN 50265 |
| Resistance to oil | according to VDE 0472 Part 803 |
| Other resistance | Highly resistant to acids, alkaline solutions and solvents |
| Special properties | Silicone-free |
| Ambient temperature (operation) | -40 °C ... 90 °C (cable, fixed installation) |
| | -5 °C ... 80 °C (Cable, flexible installation) |
| | 80 °C (in acc. with UL) |

Environmental and real-life conditions

Ambient conditions

| | |
|---------------------------------|------------------|
| Degree of protection | IP65 |
| | IP67 |
| Ambient temperature (operation) | -30 °C ... 80 °C |

Standards and regulations

| | |
|--------------------------|-----------------|
| Standard designation | M12 connector |
| Standards/specifications | IEC 61076-2-104 |

SACB- 8/3- 5,0PUR-M8 - Distributor box



1551082

<https://www.phoenixcontact.com/us/products/1551082>

Drawings

Dimensional drawing

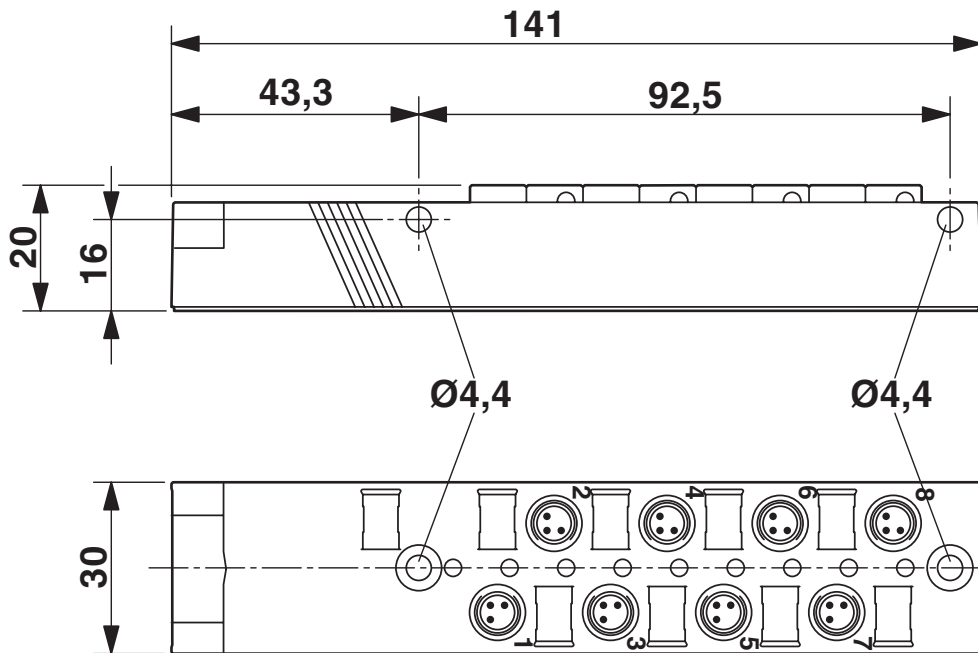


Figure shows version with diagnostic and status indicator

SACB- 8/3- 5,0PUR-M8 - Distributor box

1551082

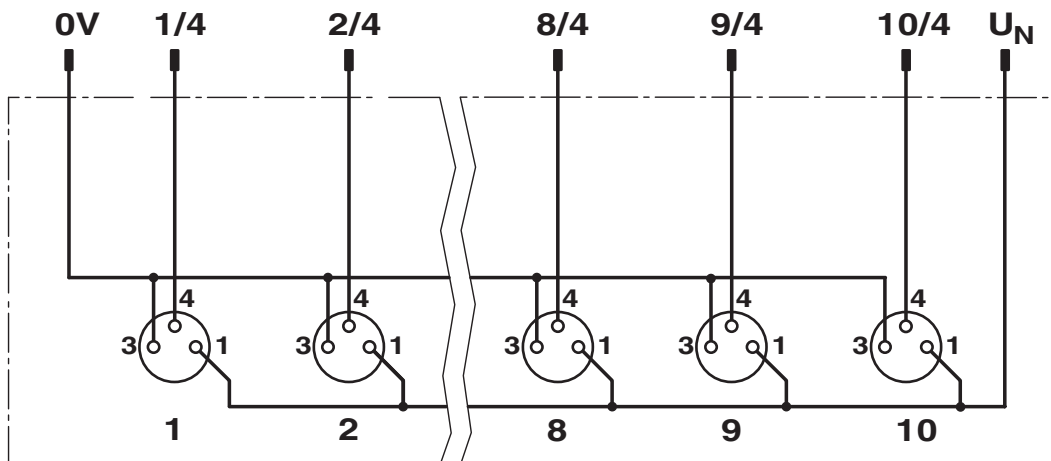
<https://www.phoenixcontact.com/us/products/1551082>

Schematic diagram



M8 slot, socket, 3-pos.

Circuit diagram



SACB- 8/3- 5,0PUR-M8 - Distributor box



1551082

<https://www.phoenixcontact.com/us/products/1551082>

Classifications

ECLASS

| | |
|-------------|----------|
| ECLASS-13.0 | 27440108 |
| ECLASS-15.0 | 27440108 |

1551082

<https://www.phoenixcontact.com/us/products/1551082>

Environmental product compliance

China RoHS

| | |
|--|---|
| Environment friendly use period (EFUP) | EFUP-50 |
| | An article-related China RoHS declaration table can be found in the download area for the respective article under "Manufacturer declaration". For all articles with EFUP-E, no China RoHS declaration table issued and required. |

EU REACH SVHC

| | |
|-------------------------------------|----------------------------|
| REACH candidate substance (CAS No.) | No substance above 0.1 wt% |
|-------------------------------------|----------------------------|

Phoenix Contact 2026 © - all rights reserved
<https://www.phoenixcontact.com>

Phoenix Contact USA
586 Fulling Mill Road
Middletown, PA 17057, United States
(+717) 944-1300
info@phoenixcon.com