

SAC-M12T/2XM12 PB DP F - Bus system T-connector



1543553

<https://www.phoenixcontact.com/us/products/1543553>

Please be informed that the data shown in this PDF document is generated from our online catalog. Please find the complete data in the user documentation. Our general terms of use for downloads are valid.



Bus system T-connector, PROFIBUS DP, 5-position, Plug straight M12, coding: B, on Plug straight M12, coding: B and Socket straight M12, coding: B

Commercial data

Item number	1543553
Packing unit	1 pc
Note	Made to order (non-returnable)
Sales key	BF10
Product key	AF1GAA
GTIN	4046356098298
Weight per piece (including packing)	66.6 g
Weight per piece (excluding packing)	64.52 g
Customs tariff number	85366990
Country of origin	DE

1543553

<https://www.phoenixcontact.com/us/products/1543553>

Technical data

Product properties

Product type	T-distributor
Sensor type	PROFIBUS DP
Number of positions	5
No. of cable outlets	2

Electrical properties

Nominal voltage U_N	30 V
-----------------------	------

Interfaces

Signal type/category	PROFIBUS DP
----------------------	-------------

Material specifications

Material of grip body	PUR
Contact material	CuZn
Contact surface material	Au
Contact carrier material	PUR
Material for screw connection	Brass, nickel-plated

Connector

Connection 1

Type	Plug straight M12
Coding type	B

Connection 2

Type	Plug straight M12
Coding type	B

Connection 3

Type	Socket straight M12
Coding type	B

Cable/line

Signal type/category	PROFIBUS DP
----------------------	-------------

Mechanical properties

Mechanical data

Insertion/withdrawal cycles	≥ 100
-----------------------------	-------

Environmental and real-life conditions

Ambient conditions

Degree of protection	IP67
----------------------	------

SAC-M12T/2XM12 PB DP F - Bus system T-connector



1543553

<https://www.phoenixcontact.com/us/products/1543553>

Ambient temperature (operation) (male connector/female connector)

-40 °C ... 80 °C (Plug / socket)

250 °C (Short-term)

SAC-M12T/2XM12 PB DP F - Bus system T-connector

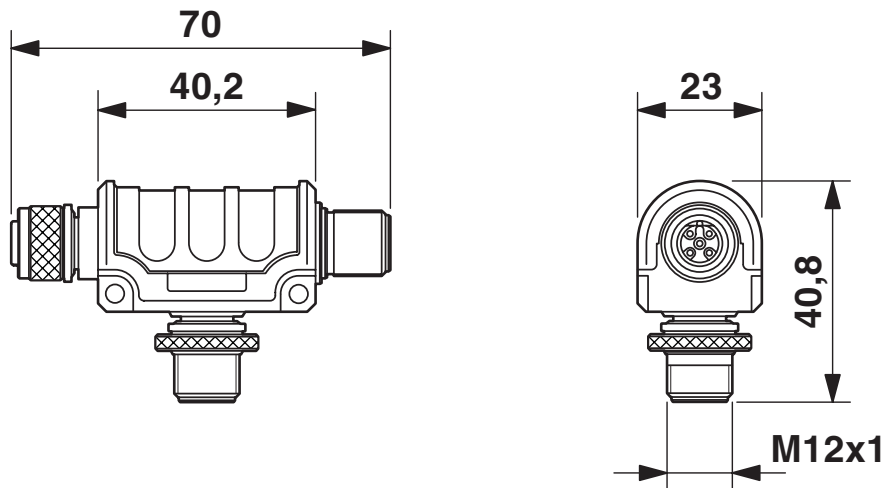


1543553

<https://www.phoenixcontact.com/us/products/1543553>

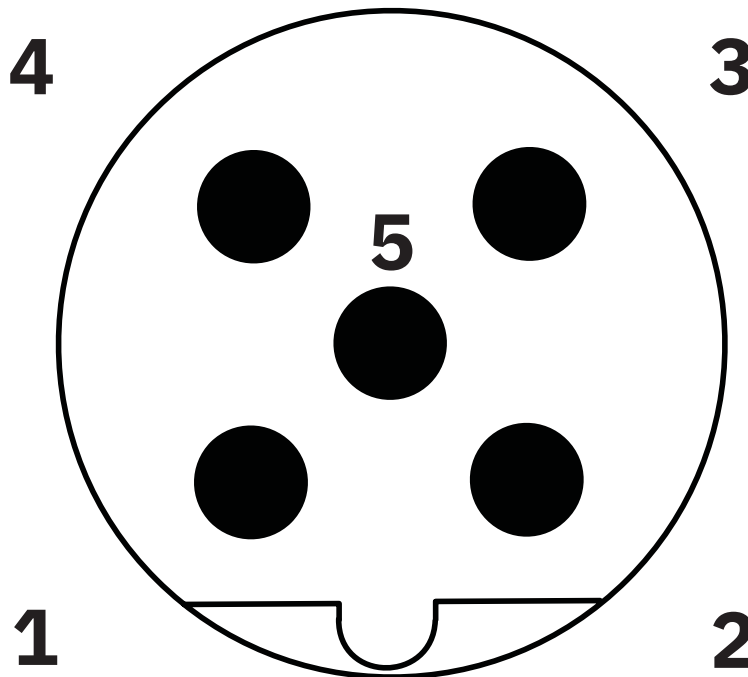
Drawings

Dimensional drawing



M12 T distributor

Schematic diagram

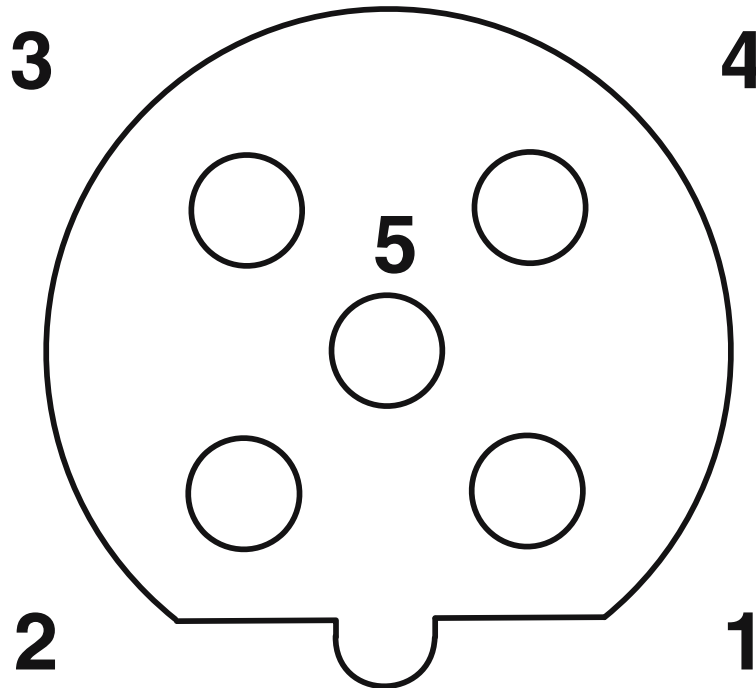


Pin assignment M12 male connector, 5-pos., B-coded, male side

1543553

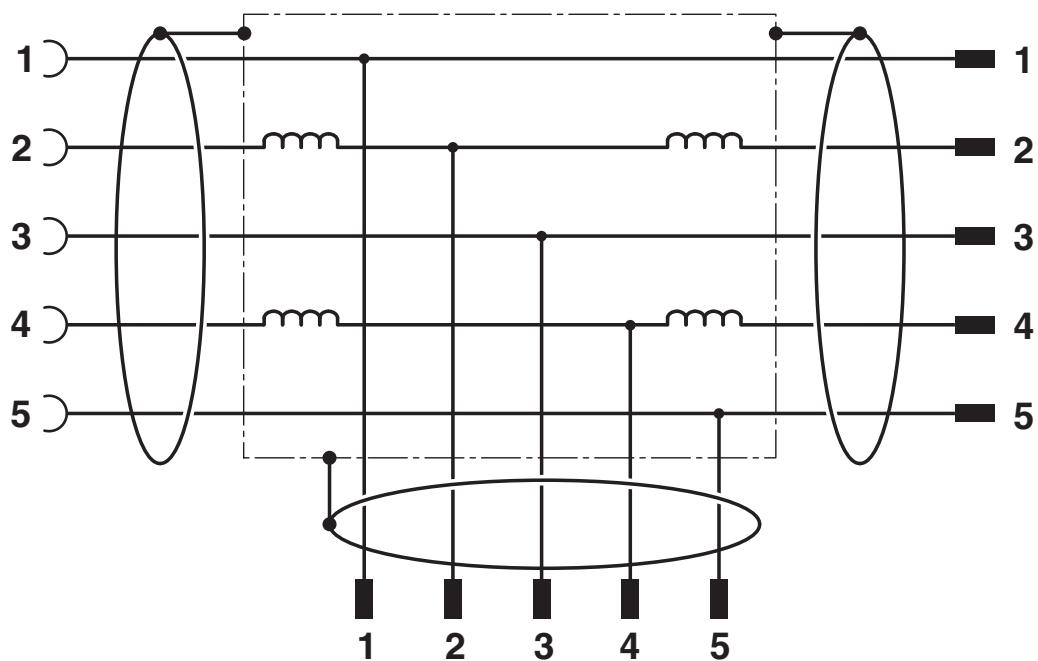
<https://www.phoenixcontact.com/us/products/1543553>

Schematic diagram



Pin assignment M12 socket, 5-pos., B-coded, female side

Circuit diagram



Contact assignment of the M12 plug and the M12 socket

SAC-M12T/2XM12 PB DP F - Bus system T-connector



1543553

<https://www.phoenixcontact.com/us/products/1543553>

Classifications

ECLASS

ECLASS-13.0	27440106
ECLASS-15.0	27440106

SAC-M12T/2XM12 PB DP F - Bus system T-connector



1543553

<https://www.phoenixcontact.com/us/products/1543553>

Environmental product compliance

EU REACH SVHC

REACH candidate substance (CAS No.)	
-------------------------------------	--

	No substance above 0.1 wt%
--	----------------------------

Phoenix Contact 2026 © - all rights reserved

<https://www.phoenixcontact.com>

Phoenix Contact USA
586 Fulling Mill Road
Middletown, PA 17057, United States
(+717) 944-1300
info@phoenixcon.com