

SAC-5P-M12MR-M12FR SH/.../... - Sensor/actuator cable



1536159

<https://www.phoenixcontact.com/us/products/1536159>

Please be informed that the data shown in this PDF document is generated from our online catalog. Please find the complete data in the user documentation. Our general terms of use for downloads are valid.



Sensor/actuator cable, 5-position, Variable cable type, shielded (Advanced Shielding Technology), Plug angled M12, coding: A, on Socket angled M12, coding: A, cable length: Free input (0.2 m ... 100.0 m)

Your advantages

- Easy and safe: 100 % electrically tested plug-in components
- Reliable signal transmission – 360° shielding in environments with electromagnetic interference

Commercial data

| | |
|------------------------|--------------------------------|
| Item number | 1536159 |
| Packing unit | 1 pc |
| Minimum order quantity | 1 pc |
| Note | Made to order (non-returnable) |
| Sales key | BF17 |
| Product key | AF1CKA |
| Customs tariff number | 85444290 |
| Country of origin | PL |

SAC-5P-M12MR-M12FR SH/.../... - Sensor/actuator cable



1536159

<https://www.phoenixcontact.com/us/products/1536159>

Technical data

Product properties

| | |
|----------------------|-----------------------|
| Product type | Sensor/actuator cable |
| Application | Standard |
| Number of positions | 5 |
| No. of cable outlets | 1 |
| Shielded | yes |
| Coding | A |

Insulation characteristics

| | |
|----------------------|----|
| Overvoltage category | II |
| Degree of pollution | 3 |

Material specifications

| | |
|--|---|
| Flammability rating according to UL 94 | HB |
| Seal material | NBR |
| Material of grip body | TPU, hardly inflammable, self-extinguishing |
| Contact material | CuSn |
| Contact surface material | Ni/Au |
| Contact carrier material | TPU GF |
| Material for screw connection | Zinc die-cast, nickel-plated |

Electrical properties

| | |
|-----------------------|----------------------------|
| Insulation resistance | $\geq 100 \text{ M}\Omega$ |
| Nominal voltage U_N | 48 V AC |
| | 60 V DC |
| Nominal current I_N | 4 A |

Mechanical properties

Mechanical data

| | |
|-----------------------------|------------|
| Insertion/withdrawal cycles | ≥ 100 |
|-----------------------------|------------|

Signaling

| | |
|------------------------|----|
| Status display | no |
| Status display present | no |

Connection data

Conductor connection

| | |
|-------------------|------------------------|
| Tightening torque | 0.4 Nm (M12 connector) |
|-------------------|------------------------|

Connector

Connection 1

SAC-5P-M12MR-M12FR SH/.../... - Sensor/actuator cable



1536159

<https://www.phoenixcontact.com/us/products/1536159>

| | |
|---------------------|-----------------|
| Type | Plug angled M12 |
| Number of positions | 5 |
| Coding type | A |

Connection 2

| | |
|---------------------|-------------------|
| Type | Socket angled M12 |
| Number of positions | 5 |
| Coding type | A |

Cable/line

| | |
|--------------|--------------------------------|
| Cable length | Free input (0.2 m ... 100.0 m) |
|--------------|--------------------------------|

PUR halogen-free black [PUR]

| | |
|---|--|
| Cable weight | 43 kg/km |
| UL AWM Style | 20549 / 10493 (80°C/300 V) |
| Number of positions | 5 |
| Shielded | yes |
| Cable type | PUR halogen-free black [PUR] PUR halogen-free black PUR |
| Conductor structure signal line | 42x 0.10 mm |
| AWG signal line | 22 |
| Conductor cross-section | 5x 0.34 mm ² (Signal line) |
| Wire diameter incl. insulation | 1.27 mm ±0.02 mm (Signal line) |
| External cable diameter | 5.25 mm ±0.2 mm |
| Outer sheath, material | PUR |
| External sheath, color | black-gray RAL 7021 |
| Conductor material | Bare Cu litz wires |
| Material wire insulation | PP |
| Single wire, color | brown, white, blue, black, gray |
| Thickness, insulation | ≥ 0.21 mm |
| Thickness, outer sheath | approx. 0.50 mm |
| Overall twist | 5 wires around filler to the core |
| Shielding | Tinned copper braided shield |
| Optical shield covering | 80 % |
| Max. conductor resistance | max. 57 Ω/km (at 20 °C) |
| Insulation resistance | 70 GΩ*km (at 20 °C) |
| Nominal voltage, cable | 300 V (at 20 °C) |
| Test voltage Core/Core | 3000 V (at 20 °C) |
| Smallest bending radius, fixed installation | 26 mm |
| Smallest bending radius, movable installation | 52 mm (up to +60 °C) |
| Dynamic load capacity (bending) | Max. bending cycles: 10000000, Bending radius: 52 mm, Traversing path: 10 m, Traversing rate: 3 m/s, Acceleration: 10 m/s ² |
| Dynamic load capacity (torsion) | Torsion: ±180 °/m, Torsion cycles: ≥5000000, Torsional frequency: 35 cycles/min. |
| Halogen-free | in accordance with DIN VDE 0472 part 815 |

SAC-5P-M12MR-M12FR SH/.../... - Sensor/actuator cable



1536159

<https://www.phoenixcontact.com/us/products/1536159>

| | |
|---------------------------------|---|
| | in accordance with DIN EN 50267-2-1 |
| Flame resistance | in accordance with UL 758/1581 FT2 |
| | DIN EN 60332-2-2 (20 s) |
| Resistance to oil | in accordance with DIN EN 60811-2-1 |
| Other resistance | Highly resistant to acids, alkaline solutions and solvents |
| | hydrolysis and microbe resistant |
| | Resistant to salt water |
| | partly UV-resistant (in accordance with DIN EN ISO 4892-2-A) |
| | abrasion-resistant |
| Special properties | Flexible cable conduit capable |
| | Silicone-free |
| | Free of substances which would hinder coating with paint or varnish |
| | Low adhesion surface |
| Ambient temperature (operation) | -40 °C ... 80 °C (cable, fixed installation) |
| | -25 °C ... 80 °C (Cable, flexible installation) |

PUR halogen-free gray [280]

| | |
|---|---------------------------------------|
| Cable weight | 43 kg/km |
| UL AWM Style | 20549 / 10493 (80°C/300 V) |
| Number of positions | 5 |
| Shielded | yes |
| Cable type | PUR halogen-free gray [280] |
| | PUR halogen-free gray 280 |
| Conductor structure signal line | 42x 0.10 mm |
| AWG signal line | 22 |
| Conductor cross-section | 5x 0.34 mm ² (Signal line) |
| Wire diameter incl. insulation | 1.27 mm ±0.02 mm (Signal line) |
| External cable diameter | 5.25 mm ±0.2 mm |
| Outer sheath, material | PUR |
| External sheath, color | gray RAL 7001 |
| Conductor material | Bare Cu litz wires |
| Material wire insulation | PP |
| Single wire, color | brown, white, blue, black, gray |
| Thickness, insulation | ≥ 0.21 mm |
| Thickness, outer sheath | approx. 0.50 mm |
| Overall twist | 5 wires around filler to the core |
| Shielding | Tinned copper braided shield |
| Optical shield covering | 80 % |
| Max. conductor resistance | max. 57 Ω/km (at 20 °C) |
| Insulation resistance | 70 GΩ*km (at 20 °C) |
| Nominal voltage, cable | 300 V (at 20 °C) |
| Test voltage Core/Core | 3000 V (at 20 °C) |
| Smallest bending radius, fixed installation | 26 mm |

SAC-5P-M12MR-M12FR SH/.../... - Sensor/actuator cable



1536159

<https://www.phoenixcontact.com/us/products/1536159>

| | |
|---|--|
| Smallest bending radius, movable installation | 52 mm (up to +60 °C) |
| Dynamic load capacity (bending) | Max. bending cycles: 10000000, Bending radius: 52 mm, Traversing path: 10 m, Traversing rate: 3 m/s, Acceleration: 10 m/s ² |
| Dynamic load capacity (torsion) | Torsion: ±180 °/m, Torsion cycles: ≥5000000 |
| Halogen-free | in accordance with DIN VDE 0472 part 815 |
| | in accordance with DIN EN 50267-2-1 |
| Flame resistance | in accordance with UL 758/1581 FT2 |
| | DIN EN 60332-2-2 (20 s) |
| Resistance to oil | in accordance with DIN EN 60811-2-1 |
| Other resistance | Highly resistant to acids, alkaline solutions and solvents |
| | hydrolysis and microbe resistant |
| | Resistant to salt water |
| | partly UV-resistant (in accordance with DIN EN ISO 4892-2-A) |
| | abrasion-resistant |
| Special properties | Flexible cable conduit capable |
| | Silicone-free |
| | Free of substances which would hinder coating with paint or varnish |
| | Low adhesion surface |
| Ambient temperature (operation) | -40 °C ... 80 °C (cable, fixed installation) |
| | -25 °C ... 80 °C (Cable, flexible installation) |

PVC black [PVC]

| | |
|---------------------------------|---------------------------------------|
| Cable weight | 55 kg/km |
| Number of positions | 5 |
| Shielded | yes |
| Cable type | PVC black [PVC] |
| | PVC black PVC |
| Conductor structure signal line | 42x 0.10 mm |
| AWG signal line | 22 |
| Conductor cross-section | 5x 0.34 mm ² (Signal line) |
| Wire diameter incl. insulation | 1.35 mm ±0.02 mm |
| External cable diameter | 5.90 mm ±0.2 mm |
| Outer sheath, material | PVC |
| External sheath, color | black RAL 9005 |
| Conductor material | Bare Cu litz wires |
| Material, filler | PVC |
| Material wire insulation | PVC |
| Single wire, color | brown, white, blue, black, gray |
| Thickness, insulation | ≥ 0.23 mm (Core insulation) |
| | ≥ 0.76 mm (Outer cable sheath) |
| Overall twist | 5 wires around filler to the core |
| Shielding | Tinned copper braided shield |
| Optical shield covering | 85 % |

SAC-5P-M12MR-M12FR SH/.../... - Sensor/actuator cable



1536159

<https://www.phoenixcontact.com/us/products/1536159>

| | |
|---|--|
| Max. conductor resistance | ≤ 58 Ω/km (at 20 °C) |
| Insulation resistance | ≥ 10 MΩ*km (at 20 °C) |
| Nominal voltage, cable | ≤ 300 V |
| Test voltage | ≥ 3000 V |
| Minimum bending radius, fixed installation | 5 x D |
| Minimum bending radius, flexible installation | 10 x D |
| Smallest bending radius, fixed installation | 30 mm |
| Smallest bending radius, movable installation | 59 mm |
| Flame resistance | As per UL-Style 2464 |
| Resistance to oil | in accordance with DIN EN 60811-2-1 |
| Ambient temperature (operation) | -25 °C ... 80 °C (cable, fixed installation) |
| | -5 °C ... 80 °C (Cable, flexible installation) |

PVC gray [500]

| | |
|---|---------------------------------------|
| Cable weight | 55 kg/km |
| Number of positions | 5 |
| Shielded | yes |
| Cable type | PVC gray [500] |
| | PVC gray 500 |
| Conductor structure signal line | 42x 0.10 mm |
| AWG signal line | 22 |
| Conductor cross-section | 5x 0.34 mm ² (Signal line) |
| Wire diameter incl. insulation | 1.35 mm ±0.02 mm |
| External cable diameter | 5.90 mm ±0.2 mm |
| Outer sheath, material | PVC |
| External sheath, color | gray RAL 7001 |
| Conductor material | Bare Cu litz wires |
| Material, filler | PVC |
| Material wire insulation | PVC |
| Single wire, color | brown, white, blue, black, gray |
| Thickness, insulation | ≥ 0.23 mm (Core insulation) |
| | ≥ 0.76 mm (Outer cable sheath) |
| Overall twist | 5 wires around filler to the core |
| Shielding | Tinned copper braided shield |
| Optical shield covering | 85 % |
| Max. conductor resistance | max. 58 Ω/km (at 20 °C) |
| Insulation resistance | ≥ 1 GΩ*km (at 20 °C) |
| Nominal voltage, cable | ≤ 300 V |
| Test voltage | ≥ 3000 V |
| Minimum bending radius, fixed installation | 5 x D |
| Minimum bending radius, flexible installation | 10 x D |
| Smallest bending radius, fixed installation | 30 mm |
| Smallest bending radius, movable installation | 59 mm |
| Flame resistance | As per UL-Style 2464 |

SAC-5P-M12MR-M12FR SH/.../... - Sensor/actuator cable



1536159

<https://www.phoenixcontact.com/us/products/1536159>

| | |
|---------------------------------|--|
| Resistance to oil | in accordance with DIN EN 60811-2-1 |
| Ambient temperature (operation) | -25 °C ... 80 °C (cable, fixed installation) |
| | -5 °C ... 80 °C (Cable, flexible installation) |

Environmental and real-life conditions

Ambient conditions

| | |
|---|----------------------------------|
| Degree of protection | IP65 |
| | IP67 |
| Ambient temperature (operation) (male connector/female connector) | -25 °C ... 90 °C (Plug / socket) |

Standards and regulations

| | |
|--------------------------|-----------------|
| Standard designation | M12 connector |
| Standards/specifications | IEC 61076-2-101 |

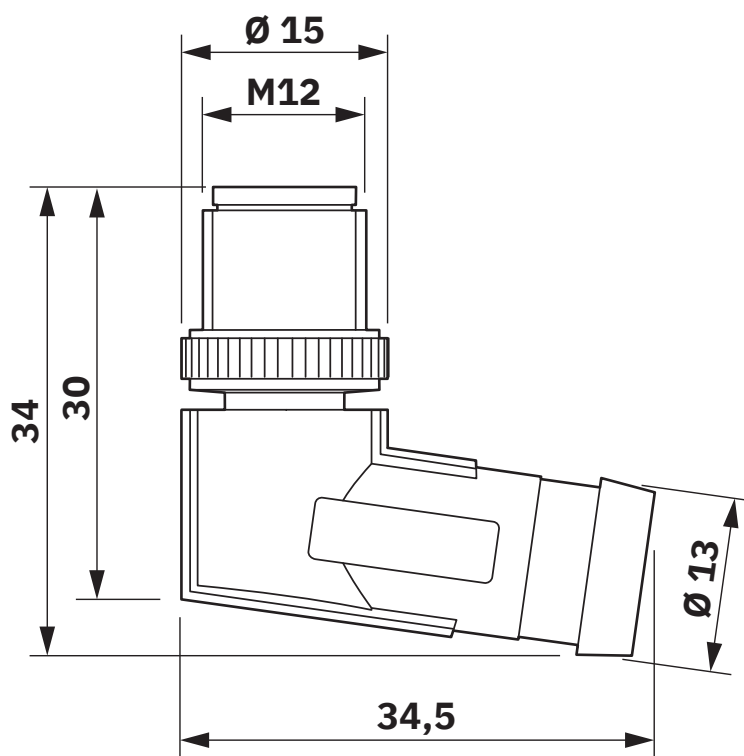
SAC-5P-M12MR-M12FR SH/.../... - Sensor/actuator cable

1536159

<https://www.phoenixcontact.com/us/products/1536159>

Drawings

Dimensional drawing



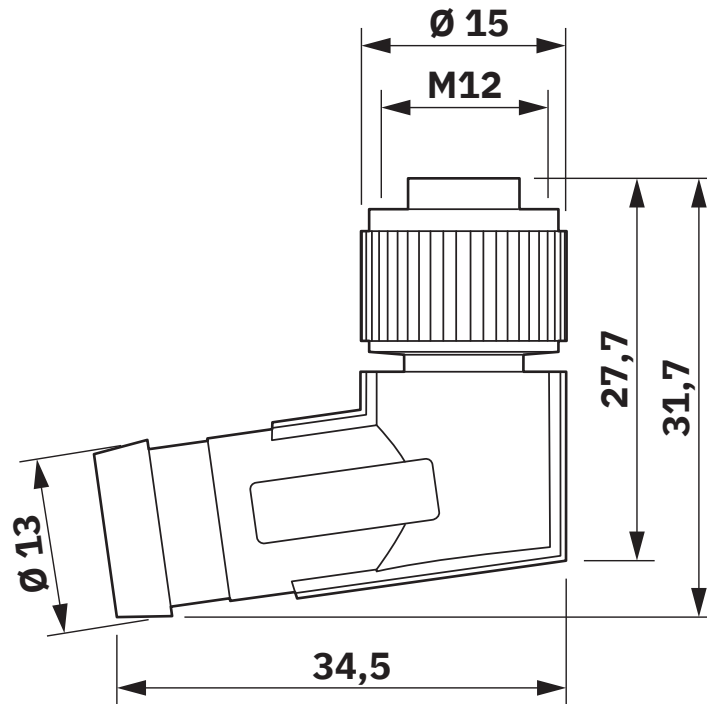
M12 x 1 male plug, angled, shielded

SAC-5P-M12MR-M12FR SH/.../... - Sensor/actuator cable

1536159

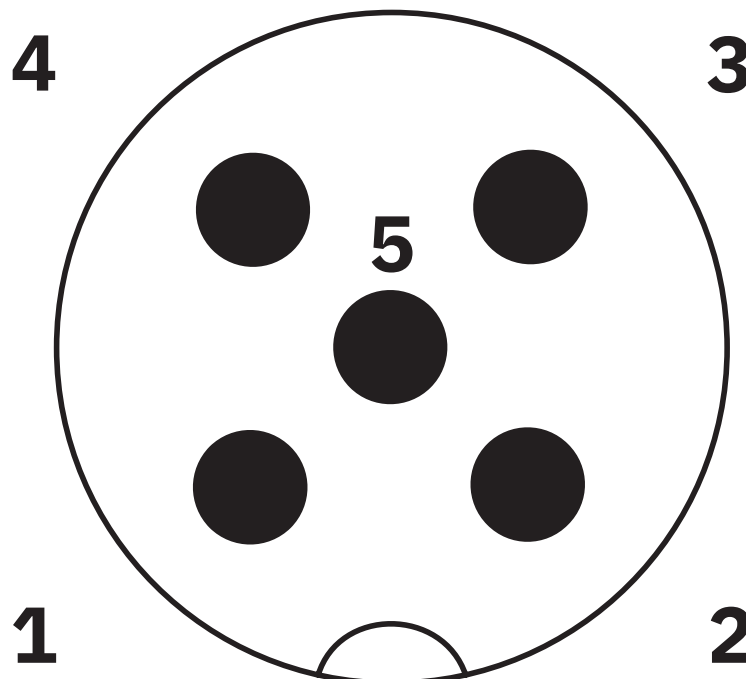
<https://www.phoenixcontact.com/us/products/1536159>

Dimensional drawing



M12 x 1 male plug, angled, shielded

Schematic diagram



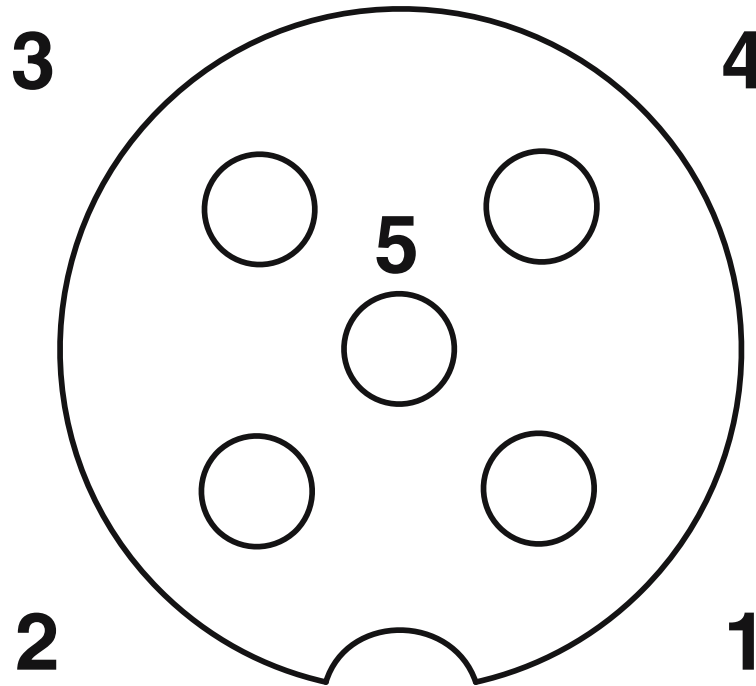
Pin assignment M12 male connector, 5-pos., A-coded, male side

SAC-5P-M12MR-M12FR SH/.../... - Sensor/actuator cable

1536159

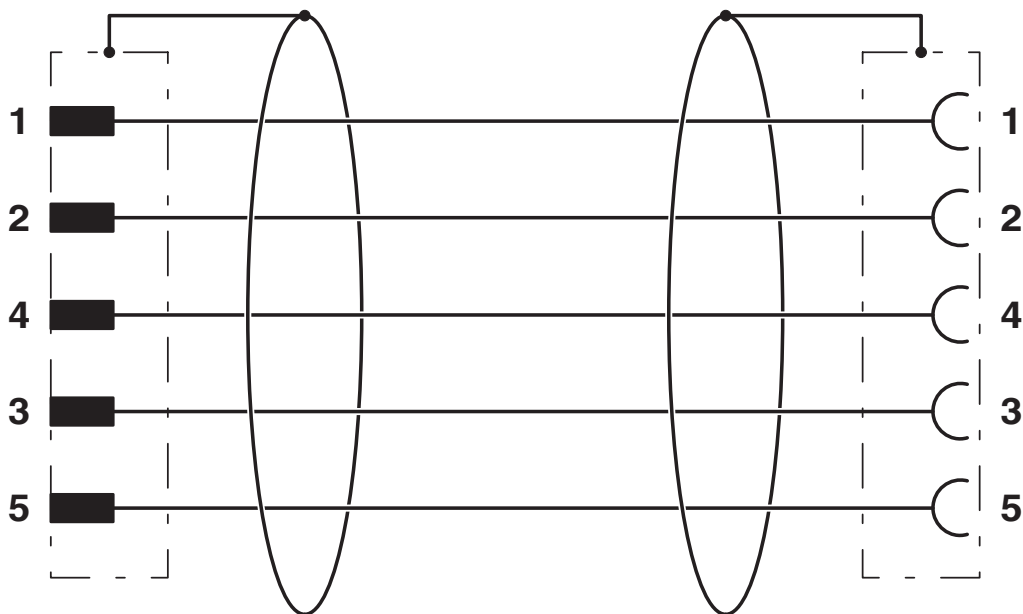
<https://www.phoenixcontact.com/us/products/1536159>

Schematic diagram



Pin assignment M12 socket, 5-pos., A-coded, socket side view

Circuit diagram



Contact assignment of the M12 plug and the M12 socket

SAC-5P-M12MR-M12FR SH/.../... - Sensor/actuator cable





1536159


<https://www.phoenixcontact.com/us/products/1536159>

Approvals

To download certificates, visit the product detail page: <https://www.phoenixcontact.com/us/products/1536159>

|  UL Listed Approval ID: FILE E 221474 | | | | |
|--|-----------------------|-----------------------|-------------------|-----------------------------|
| | Nominal voltage U_N | Nominal current I_N | Cross section AWG | Cross section mm^2 |
| keine | | | | |
| | 125 V | 4 A | - | - |

|  cUL Listed Approval ID: FILE E 221474 | | | | |
|---|-----------------------|-----------------------|-------------------|-----------------------------|
| | Nominal voltage U_N | Nominal current I_N | Cross section AWG | Cross section mm^2 |
| keine | | | | |
| | 125 V | 4 A | - | - |

|  EAC-RoHS Approval ID: RU D-DE.HB35.B.00387 | |
|--|--|
|--|--|

SAC-5P-M12MR-M12FR SH/.../... - Sensor/actuator cable



1536159

<https://www.phoenixcontact.com/us/products/1536159>

Classifications

ECLASS

| | |
|-------------|----------|
| ECLASS-13.0 | 27060311 |
| ECLASS-15.0 | 27060311 |

ETIM

| | |
|-----------|----------|
| ETIM 10.0 | EC001855 |
|-----------|----------|

UNSPSC

| | |
|-------------|----------|
| UNSPSC 21.0 | 26121600 |
|-------------|----------|

SAC-5P-M12MR-M12FR SH/.../... - Sensor/actuator cable



1536159

<https://www.phoenixcontact.com/us/products/1536159>

Environmental product compliance

EU RoHS

| | |
|---|--------------------|
| Fulfills EU RoHS substance requirements | Yes, No exemptions |
|---|--------------------|

China RoHS

| | |
|--|--|
| Environment friendly use period (EFUP) | EFUP-E |
| | No hazardous substances above the limits |

EU REACH SVHC

| | |
|-------------------------------------|----------------------------|
| REACH candidate substance (CAS No.) | No substance above 0.1 wt% |
|-------------------------------------|----------------------------|

EF3.1 Climate Change

| | |
|---------|---------------|
| CO2e kg | 3.346 kg CO2e |
|---------|---------------|

Phoenix Contact 2026 © - all rights reserved
<https://www.phoenixcontact.com>

Phoenix Contact USA
586 Fulling Mill Road
Middletown, PA 17057, United States
(+717) 944-1300
info@phoenixcon.com