

# SAC-3P-M 8FR/30,0-500/M 8FR - Sensor/actuator cable



1530935

<https://www.phoenixcontact.com/us/products/1530935>

Please be informed that the data shown in this PDF document is generated from our online catalog. Please find the complete data in the user documentation. Our general terms of use for downloads are valid.



Sensor/actuator cable, 3-position, PVC, gray RAL 7001, Socket angled M8, coding: A, on Socket angled M8, cable length: 30 m

## Commercial data

Item number	1530935
Packing unit	5 pc
Minimum order quantity	50 pc
Product key	AF1BBA
GTIN	4017918990480
Weight per piece (including packing)	850.6 g
Weight per piece (excluding packing)	850.6 g
Country of origin	PL

# SAC-3P-M 8FR/30,0-500/M 8FR - Sensor/actuator cable



1530935

<https://www.phoenixcontact.com/us/products/1530935>

## Technical data

### Product properties

Product type	Sensor/actuator cable
Number of positions	3
No. of cable outlets	1
Shielded	no
Coding	A

### Insulation characteristics

Overvoltage category	II
Degree of pollution	3

### Material specifications

Flammability rating according to UL 94	HB
Seal material	NBR
Material of grip body	TPU, hardly inflammable, self-extinguishing
Contact material	CuSn
Contact surface material	Ni/Au
Contact carrier material	TPU GF
Material for screw connection	Zinc die-cast, nickel-plated

### Electrical properties

Insulation resistance	$\geq 100 \text{ M}\Omega$
Nominal voltage $U_N$	48 V AC
	60 V DC
Nominal current $I_N$	4 A

### Signaling

Status display	no
Status display present	no

### Connector

#### Connection 1

Type	Socket angled M8
Number of positions	3
Coding type	A

#### Connection 2

Type	Socket angled M8
Number of positions	3

### Cable/line

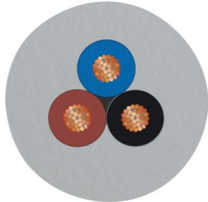
Cable length	30 m
--------------	------

# SAC-3P-M 8FR/30,0-500/M 8FR - Sensor/actuator cable

1530935

<https://www.phoenixcontact.com/us/products/1530935>

PVC gray [500]

Dimensional drawing	
Cable weight	29 kg/km
Number of positions	3
Shielded	no
Cable type	PVC gray [500]
Conductor type	Assembled shielded round cable
Conductor structure signal line	14x 0.15 mm
AWG signal line	24
Conductor cross-section	3x 0.25 mm <sup>2</sup> (Signal line)
Wire diameter incl. insulation	1.17 mm ±0.05 mm
External cable diameter	4.20 mm ±0.15 mm
Outer sheath, material	PVC
External sheath, color	gray RAL 7001
Conductor material	Bare Cu litz wires
Material wire insulation	PVC
Single wire, color	brown, blue, black
Thickness, insulation	≥ 0.23 mm (Core insulation)
Thickness, outer sheath	≥ 0.76 mm
Overall twist	3 wires, twisted
Max. conductor resistance	max. 79 Ω/km (at 20 °C)
Insulation resistance	≥ 100 MΩ*km (at 20 °C)
Nominal voltage, cable	≥ 300 V
Test voltage	≤ 3000 V
Smallest bending radius, fixed installation	13 mm
Halogen-free	no
Flame resistance	As per UL-Style 2464
Resistance to oil	in accordance with DIN EN 60811-2-1
Ambient temperature (operation)	-40 °C ... 80 °C (cable, fixed installation) -25 °C ... 80 °C (Cable, flexible installation)

## Environmental and real-life conditions

Ambient conditions

Degree of protection	IP65
	IP67
	IP68

# SAC-3P-M 8FR/30,0-500/M 8FR - Sensor/actuator cable



1530935

<https://www.phoenixcontact.com/us/products/1530935>

Ambient temperature (operation)	-25 °C ... 90 °C (Plug / socket)
	-25 °C ... 80 °C (cable, fixed installation)
	-5 °C ... 80 °C (Cable, flexible installation)

# SAC-3P-M 8FR/30,0-500/M 8FR - Sensor/actuator cable

1530935

<https://www.phoenixcontact.com/us/products/1530935>

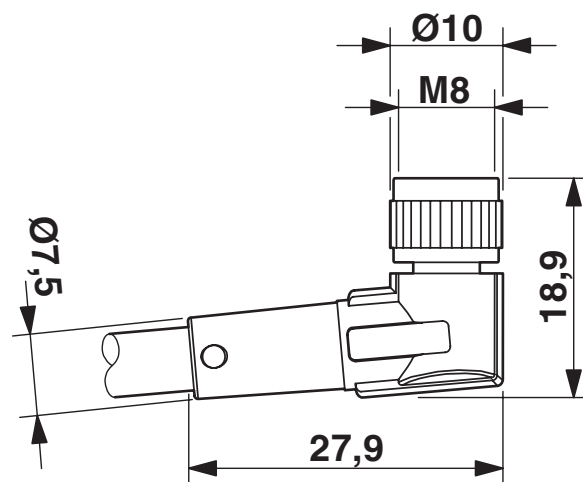
## Drawings

Dimensional drawing



Socket M8 x 1, angled

Dimensional drawing



Socket M8 x 1, angled

# SAC-3P-M 8FR/30,0-500/M 8FR - Sensor/actuator cable

1530935

<https://www.phoenixcontact.com/us/products/1530935>

Schematic diagram



Pin assignment M8 socket, 3-pos., view female side

Schematic diagram



Pin assignment M8 socket, 3-pos., view female side

# SAC-3P-M 8FR/30,0-500/M 8FR - Sensor/actuator cable

1530935

<https://www.phoenixcontact.com/us/products/1530935>

Schematic diagram



Layout of connector pin assignments

# SAC-3P-M 8FR/30,0-500/M 8FR - Sensor/actuator cable



1530935

<https://www.phoenixcontact.com/us/products/1530935>

## Classifications

### ECLASS

ECLASS-13.0	27060311
ECLASS-15.0	27060311

# SAC-3P-M 8FR/30,0-500/M 8FR - Sensor/actuator cable



1530935

<https://www.phoenixcontact.com/us/products/1530935>

## Environmental product compliance

### EU RoHS

Fulfills EU RoHS substance requirements	Yes, No exemptions
---	--------------------

### China RoHS

Environment friendly use period (EFUP)	EFUP-E
	No hazardous substances above the limits

### EU REACH SVHC

REACH candidate substance (CAS No.)	No substance above 0.1 wt%
-------------------------------------	----------------------------

Phoenix Contact 2026 © - all rights reserved  
<https://www.phoenixcontact.com>

Phoenix Contact USA  
586 Fulling Mill Road  
Middletown, PA 17057, United States  
(+717) 944-1300  
[info@phoenixcon.com](mailto:info@phoenixcon.com)