

# SAC-4P-MICFS/ 5,0-PUR - Sensor/actuator cable



1527171

<https://www.phoenixcontact.com/us/products/1527171>

Please be informed that the data shown in this PDF document is generated from our online catalog. Please find the complete data in the user documentation. Our general terms of use for downloads are valid.



Sensor/actuator cable, 4-position, PUR/PVC, black-gray RAL 7021, free cable end, on Socket straight 1/2"-20UNF, coding: C, cable length: 5 m

## Commercial data

Item number	1527171
Packing unit	5 pc
Minimum order quantity	1 pc
Sales key	BF09
Product key	AF1ECA
GTIN	4046356071888
Weight per piece (including packing)	222.22 g
Weight per piece (excluding packing)	222.22 g
Customs tariff number	85444290
Country of origin	US

1527171

<https://www.phoenixcontact.com/us/products/1527171>

## Technical data

### Product properties

Product type	Sensor/actuator cable
Number of positions	4
No. of cable outlets	1
Shielded	no
Coding	C

### Insulation characteristics

Overvoltage category	II
Degree of pollution	3

### Material specifications

Flammability rating according to UL 94	HB
Seal material	NBR
Material of grip body	TPU, hardly inflammable, self-extinguishing
Contact material	CuSn
Contact surface material	Ni/Au
Contact carrier material	TPU GF
Material for screw connection	Zinc die-cast, nickel-plated
Outer sheath, material	PUR
Conductor material	Bare Cu litz wires

### Electrical properties

Insulation resistance	≥ 10 MΩ
Nominal voltage $U_N$	250 V AC
	250 V DC
Nominal current $I_N$	4 A
Max. conductor resistance	58 Ω/km

### Mechanical properties

#### Mechanical data

Max. bending cycles	2000000
---------------------	---------

### Signaling

Status display	no
Status display present	no

### Connector

#### Connection 1

Type	free cable end
------	----------------

#### Connection 2

# SAC-4P-MICFS/ 5,0-PUR - Sensor/actuator cable



1527171

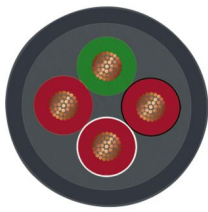
<https://www.phoenixcontact.com/us/products/1527171>

Type	Socket straight 1/2"-20UNF
Number of positions	4
Coding type	C

## Cable/line

Cable length	5 m
--------------	-----

PUR/PVC black [350]

Dimensional drawing	
Cable weight	39 kg/km
UL AWM Style	20549
Number of positions	4
Shielded	no
Cable type	PUR/PVC black [350]
Conductor structure signal line	42x 0.10 mm
AWG signal line	22
Conductor cross-section	0.34 mm <sup>2</sup>
Wire diameter incl. insulation	1.5 mm ±0.05 mm
External cable diameter	5.20 mm ±0.2 mm
Outer sheath, material	PUR
External sheath, color	black-gray RAL 7021
Conductor material	Bare Cu litz wires
Material wire insulation	PVC
Single wire, color	green, red/black, red/white, red
Thickness, insulation	approx. 0.30 mm (Core insulation) ≥ 0.38 mm (Outer cable sheath) approx. 0.35 mm (Inner sheath)
Max. conductor resistance	max. 58 Ω/km (at 20 °C)
Insulation resistance	≥ 1 GΩ*km (at 20 °C)
Nominal voltage, cable	≤ 300 V
Test voltage	≥ 3000 V
Smallest bending radius, fixed installation	52 mm
Smallest bending radius, movable installation	52 mm
Dynamic load capacity (bending)	Max. bending cycles: 2000000, Bending radius: 52 mm, Traversing path: 5 m, Traversing rate: 3 m/s
Flame resistance	in accordance with DIN UL-Style 20549
Ambient temperature (operation)	-25 °C ... 80 °C (cable, fixed installation)

# SAC-4P-MICFS/ 5,0-PUR - Sensor/actuator cable



1527171

<https://www.phoenixcontact.com/us/products/1527171>

	-5 °C ... 80 °C (Cable, flexible installation)
--	--

## Environmental and real-life conditions

### Ambient conditions

Degree of protection	IP65
	IP67
	IP68
Ambient temperature (operation)	-25 °C ... 90 °C (Plug / socket)
	-25 °C ... 80 °C (cable, fixed installation)
	-5 °C ... 80 °C (Cable, flexible installation)

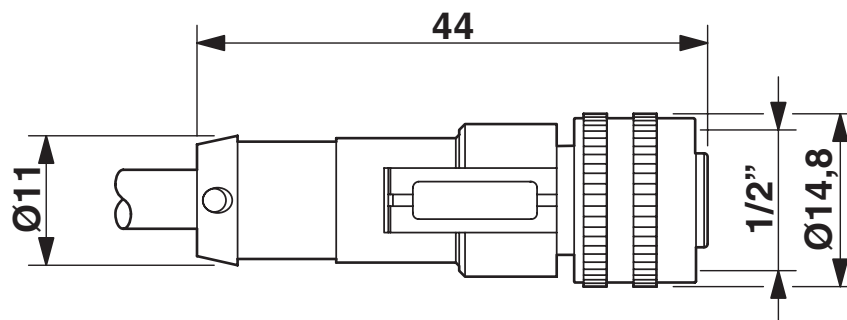
# SAC-4P-MICFS/ 5,0-PUR - Sensor/actuator cable

1527171

<https://www.phoenixcontact.com/us/products/1527171>

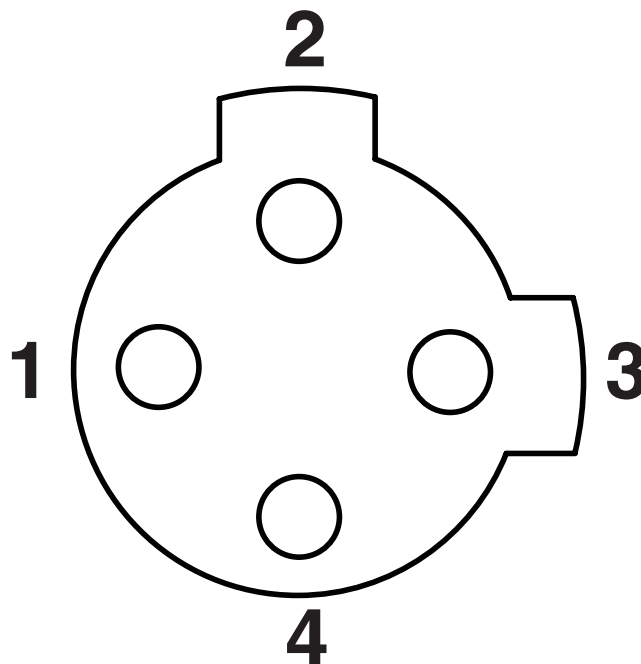
## Drawings

Dimensional drawing



1/2"-20UNF socket, straight

Schematic diagram



Pin assignment 1/2"-20UNF socket, 4-pos., view female side

# SAC-4P-MICFS/ 5,0-PUR - Sensor/actuator cable



1527171

<https://www.phoenixcontact.com/us/products/1527171>

## Classifications

### ECLASS

ECLASS-13.0	27060311
ECLASS-15.0	27060311

1527171

<https://www.phoenixcontact.com/us/products/1527171>

## Environmental product compliance

### EU RoHS

Fulfills EU RoHS substance requirements	Yes, No exemptions
---	--------------------

### China RoHS

Environment friendly use period (EFUP)	EFUP-50
	An article-related China RoHS declaration table can be found in the download area for the respective article under "Manufacturer declaration". For all articles with EFUP-E, no China RoHS declaration table issued and required.

### EU REACH SVHC

REACH candidate substance (CAS No.)	No substance above 0.1 wt%
-------------------------------------	----------------------------

Phoenix Contact 2026 © - all rights reserved

<https://www.phoenixcontact.com>

Phoenix Contact USA  
586 Fulling Mill Road  
Middletown, PA 17057, United States  
(+717) 944-1300  
[info@phoenixcon.com](mailto:info@phoenixcon.com)