

# SAC-4P-10,0-PVC/M12FR-3L VA - Sensor/actuator cable



1525966

<https://www.phoenixcontact.com/us/products/1525966>

Please be informed that the data shown in this PDF document is generated from our online catalog. Please find the complete data in the user documentation. Our general terms of use for downloads are valid.



Sensor/actuator cable, 4-position, PVC, black RAL 9005, free cable end, on Socket angled M12, coding: A, with 3 LEDs, cable length: 10 m

## Commercial data

Item number	1525966
Packing unit	5 pc
Minimum order quantity	50 pc
Product key	AF1CCA
GTIN	4017918951863
Weight per piece (including packing)	464 g
Weight per piece (excluding packing)	464 g
Country of origin	PL

# SAC-4P-10,0-PVC/M12FR-3L VA - Sensor/actuator cable



1525966

<https://www.phoenixcontact.com/us/products/1525966>

## Technical data

### Product properties

Product type	Sensor/actuator cable
Number of positions	4
No. of cable outlets	1
Shielded	no
Coding	A

### Insulation characteristics

Overvoltage category	II
Degree of pollution	3

### Material specifications

Flammability rating according to UL 94	HB
Seal material	NBR
Material of grip body	TPU, hardly inflammable, self-extinguishing
Contact material	CuSn
Contact surface material	Ni/Au
Contact carrier material	TPU GF
Material for screw connection	Stainless steel

### Electrical properties

Insulation resistance	$\geq 100 \text{ M}\Omega$
Nominal voltage $U_N$	24 V
Nominal current $I_N$	4 A

### Mechanical properties

#### Mechanical data

Insertion/withdrawal cycles	$\geq 100$
-----------------------------	------------

### Signaling

Status display	3 LEDs
Status display present	yes

### Connector

#### Connection 1

Type	free cable end
------	----------------

#### Connection 2

Type	Socket angled M12
Number of positions	4
Coding type	A

# SAC-4P-10,0-PVC/M12FR-3L VA - Sensor/actuator cable

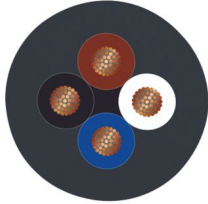
1525966

<https://www.phoenixcontact.com/us/products/1525966>

## Cable/line

Cable length	10 m
--------------	------

### PVC black [PVC]

Dimensional drawing	
Cable weight	40 kg/km
UL AWM Style	2464 / 1729 (80°C/300 V)
Number of positions	4
Shielded	no
Cable type	PVC black [PVC]
Conductor structure signal line	19x 0.15 mm
AWG signal line	22
Conductor cross-section	4x 0.34 mm <sup>2</sup> (Signal line)
Wire diameter incl. insulation	1.26 mm ±0.05 mm
External cable diameter	4.70 mm ±0.15 mm
Outer sheath, material	PVC
External sheath, color	black RAL 9005
Conductor material	Bare Cu litz wires
Material wire insulation	PVC
Single wire, color	brown, white, blue, black
Thickness, insulation	≥ 0.23 mm (Core insulation)
Thickness, outer sheath	≥ 0.76 mm
Overall twist	4 wires, twisted
Max. conductor resistance	≤ 57 Ω/km (at 20 °C)
Insulation resistance	≥ 200 MΩ*km (at 20 °C)
Nominal voltage, cable	≤ 300 V
Test voltage	≥ 3000 V
Minimum bending radius, fixed installation	5 x D
Minimum bending radius, flexible installation	10 x D
Smallest bending radius, fixed installation	24 mm
Smallest bending radius, movable installation	47 mm
Flame resistance	As per UL-Style 2464
Resistance to oil	according to DIN EN 60811-2-1, 168 h at 60 °C
Ambient temperature (operation)	-25 °C ... 80 °C (cable, fixed installation) -10 °C ... 80 °C (Cable, flexible installation)

# SAC-4P-10,0-PVC/M12FR-3L VA - Sensor/actuator cable



1525966

<https://www.phoenixcontact.com/us/products/1525966>

## Environmental and real-life conditions

### Ambient conditions

Degree of protection	IP65
	IP67
	IP68
	IP69K
Ambient temperature (operation)	-25 °C ... 90 °C (Plug / socket)
	-25 °C ... 80 °C (cable, fixed installation)
	-5 °C ... 80 °C (Cable, flexible installation)

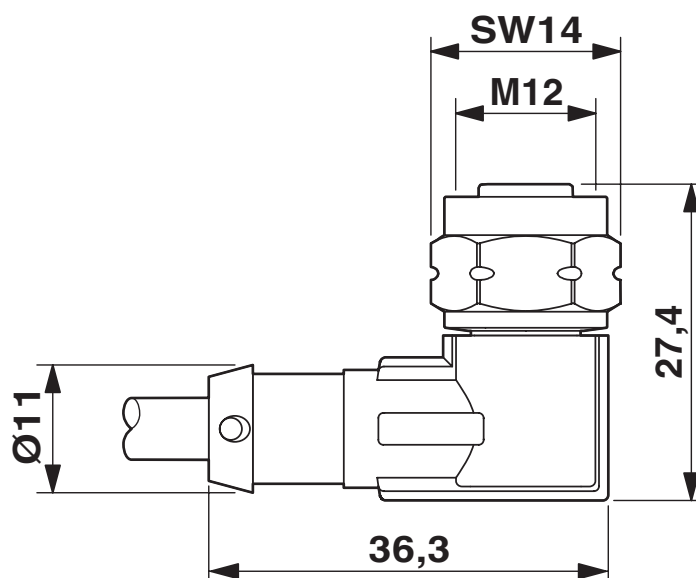
# SAC-4P-10,0-PVC/M12FR-3L VA - Sensor/actuator cable

1525966

<https://www.phoenixcontact.com/us/products/1525966>

## Drawings

Dimensional drawing



Socket M12 x 1, angled, with LED

# SAC-4P-10,0-PVC/M12FR-3L VA - Sensor/actuator cable

1525966

<https://www.phoenixcontact.com/us/products/1525966>

Schematic diagram



Pin assignment M12 socket, 4-pos., A-coded, view female side

Circuit diagram



Contact assignment of M12 sockets with LED

# SAC-4P-10,0-PVC/M12FR-3L VA - Sensor/actuator cable



1525966

<https://www.phoenixcontact.com/us/products/1525966>

## Classifications

### ECLASS

ECLASS-13.0	27060311
ECLASS-15.0	27060311

# SAC-4P-10,0-PVC/M12FR-3L VA - Sensor/actuator cable



1525966

<https://www.phoenixcontact.com/us/products/1525966>

## Environmental product compliance

### EU RoHS

Fulfills EU RoHS substance requirements	Yes, No exemptions
---	--------------------

### China RoHS

Environment friendly use period (EFUP)	EFUP-50
	An article-related China RoHS declaration table can be found in the download area for the respective article under "Manufacturer declaration". For all articles with EFUP-E, no China RoHS declaration table issued and required.

### EU REACH SVHC

REACH candidate substance (CAS No.)	No substance above 0.1 wt%
-------------------------------------	----------------------------

Phoenix Contact 2026 © - all rights reserved

<https://www.phoenixcontact.com>

Phoenix Contact USA  
586 Fulling Mill Road  
Middletown, PA 17057, United States  
(+717) 944-1300  
[info@phoenixcon.com](mailto:info@phoenixcon.com)