

SACC-MINFR-4CON-PG 9 - Connector



1521494

<https://www.phoenixcontact.com/us/products/1521494>

Please be informed that the data shown in this PDF document is generated from our online catalog. Please find the complete data in the user documentation. Our general terms of use for downloads are valid.



Connector, Universal, 4-position, Socket angled 7/8"-16UNF, coding: A, Screw connection, knurl material: Zinc die-cast, nickel-plated, cable gland Pg9, external cable diameter 6 mm ... 8 mm

Your advantages

- Safe use in the field, thanks to a high degree of protection
- Screw connection: proven connection technology for a large selection of different conductors

Commercial data

Item number	1521494
Packing unit	1 pc
Minimum order quantity	1 pc
Sales key	BF30
Product key	AF2FAA
GTIN	4017918949716
Weight per piece (including packing)	50.9 g
Weight per piece (excluding packing)	50.9 g
Customs tariff number	85366990
Country of origin	DE

SACC-MINFR-4CON-PG 9 - Connector



1521494

<https://www.phoenixcontact.com/us/products/1521494>

Technical data

Notes

Assembly note	NOTE: Observe the permissible bending radii when routing cables, since the degree of protection may be at risk if the bending forces are too high. Reduce mechanical loads upstream of the connector, e.g., by using cable ties.
---------------	---

Mounting

Assembly note	The wires can be connected both with ferrules and without ferrules
	The connector pin assignment can be rotated 45° to the cable outlet

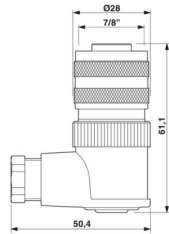
Product properties

Product type	Circular connector (cable-side)
Number of positions	4
No. of cable outlets	1
Shielded	no
Coding	A
Cable outlet	angled
Pg screw connection	Pg9

Insulation characteristics

Overvoltage category	III
Degree of pollution	3

Dimensions

Dimensional drawing	
Length	61.1 mm

External dimensions

Outside diameter	6 mm ... 8 mm
------------------	---------------

Housing

Diameter housing	28 mm
------------------	-------

Material specifications

Flammability rating according to UL 94	HB
--	----

SACC-MINFR-4CON-PG 9 - Connector



1521494

<https://www.phoenixcontact.com/us/products/1521494>

Material of grip body	PBT
Contact material	CuZn
Contact surface material	Au
Contact carrier material	PUR/PA 6.6
Material for screw connection	Zinc die-cast, nickel-plated

Connection data

Conductor connection

Connection method	Screw connection
Connection cross section	0.34 mm ² ... 1.5 mm ² (without ferrule)
	0.34 mm ² ... 1.5 mm ² (with ferrule)
	0.34 mm ² ... 1.5 mm ² (solid)
Connection cross section AWG	22 ... 16 (without ferrule)
	22 ... 16 (with ferrule)
Stripping length of the individual wire	7 mm
Tightening torque	0.8 Nm (7/8" connectors)
	0.4 Nm (Screw terminal blocks)
	0.8 Nm ... 1 Nm (Pressure screw)

Electrical properties

Rated surge voltage	4 kV
Contact resistance	≤ 5 mΩ
Insulation resistance	≥ 100 MΩ
Nominal voltage U _N	300 V AC
	300 V DC
Nominal current I _N	9 A

Mechanical properties

Mechanical data

Insertion/withdrawal cycles	≥ 100
-----------------------------	-------

Connector

Connection 1

Head design	Socket
Head cable outlet	angled
Head thread type	7/8"-16UNF
Coding	A

Cable/line

Signal type/category	Universal
Stripping length of the individual wire	7 mm

Environmental and real-life conditions

SACC-MINFR-4CON-PG 9 - Connector



1521494

<https://www.phoenixcontact.com/us/products/1521494>

Ambient conditions

Degree of protection	IP67
Ambient temperature (operation) (male connector/female connector)	-25 °C ... 85 °C (Plug / socket)

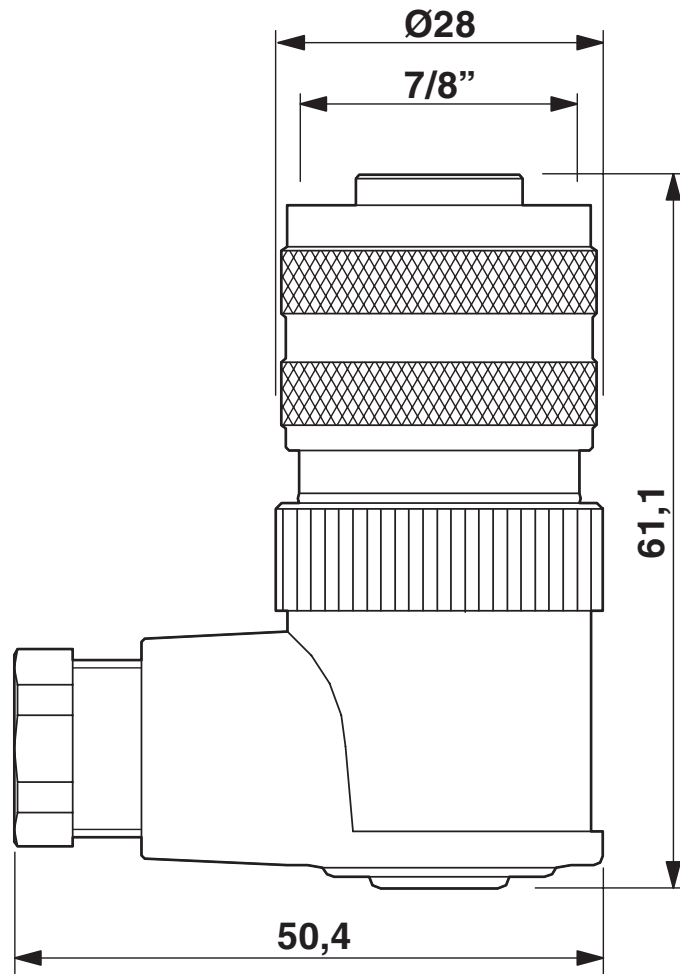
SACC-MINFR-4CON-PG 9 - Connector

1521494

<https://www.phoenixcontact.com/us/products/1521494>

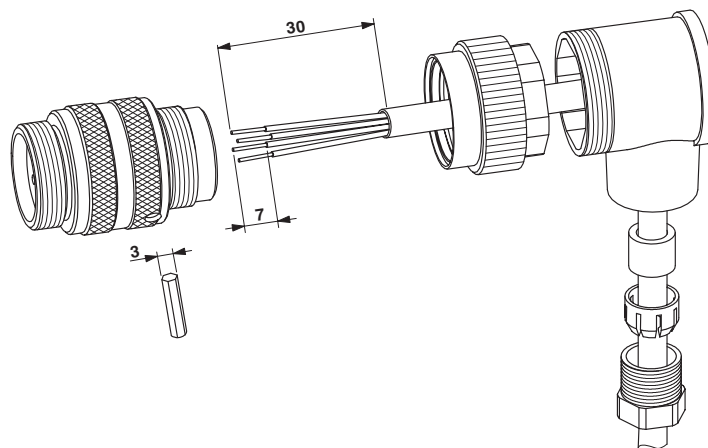
Drawings

Dimensional drawing



Female 7/8"-16UNF, angled, Pg9

Functional drawing



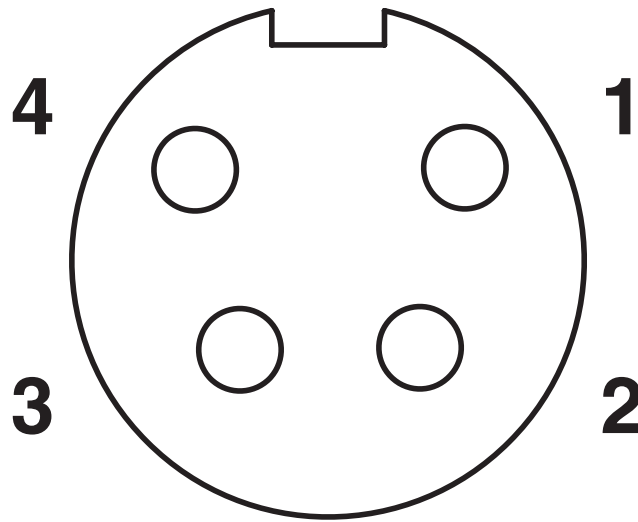
SACC-MINFR-4CON-PG 9 - Connector



1521494

<https://www.phoenixcontact.com/us/products/1521494>

Schematic diagram



Pin assignment, socket, 7/8"-16UNF, 4-pos., view of female side

SACC-MINFR-4CON-PG 9 - Connector





1521494

<https://www.phoenixcontact.com/us/products/1521494>

Approvals

To download certificates, visit the product detail page: <https://www.phoenixcontact.com/us/products/1521494>

 cUL Recognized Approval ID: FILE E 221474				
	Nominal voltage U_N	Nominal current I_N	Cross section AWG	Cross section mm^2
keine				
	600 V	9 A	-	-

 UL Recognized Approval ID: FILE E 221474				
	Nominal voltage U_N	Nominal current I_N	Cross section AWG	Cross section mm^2
keine				
	600 V	9 A	-	-

SACC-MINFR-4CON-PG 9 - Connector



1521494

<https://www.phoenixcontact.com/us/products/1521494>

Classifications

ECLASS

ECLASS-13.0	27440116
ECLASS-15.0	27440116

ETIM

ETIM 10.0	EC002635
-----------	----------

UNSPSC

UNSPSC 21.0	39121400
-------------	----------

SACC-MINFR-4CON-PG 9 - Connector



1521494

<https://www.phoenixcontact.com/us/products/1521494>

Environmental product compliance

EU RoHS

Fulfills EU RoHS substance requirements	Yes
Exemption	6(c)

China RoHS

Environment friendly use period (EFUP)	EFUP-50
	An article-related China RoHS declaration table can be found in the download area for the respective article under "Manufacturer declaration". For all articles with EFUP-E, no China RoHS declaration table issued and required.

EU REACH SVHC

REACH candidate substance (CAS No.)	Lead(CAS: 7439-92-1)
SCIP	8ce46f3a-6250-45f9-bf5c-134dc4407c29

EF3.1 Climate Change

CO2e kg	1.718 kg CO2e
---------	---------------

Phoenix Contact 2026 © - all rights reserved
<https://www.phoenixcontact.com>

Phoenix Contact USA
586 Fulling Mill Road
Middletown, PA 17057, United States
(+717) 944-1300
info@phoenixcon.com