

SACC-E-MINMS-5CON-PG13/0,5 - Device connector front mounting



1521452

<https://www.phoenixcontact.com/us/products/1521452>

Please be informed that the data shown in this PDF document is generated from our online catalog. Please find the complete data in the user documentation. Our general terms of use for downloads are valid.



Sensor/actuator flush-type plug, 5-pos., 7/8", front mounting with Pg13.5 thread, with 0.5 m PVC litz wire, 5 x 0.75 mm²

Commercial data

Item number	1521452
Packing unit	1 pc
Minimum order quantity	1 pc
Sales key	AB39
Product key	ABRSAA
GTIN	4017918949679
Weight per piece (including packing)	74.8 g
Weight per piece (excluding packing)	52.1 g
Customs tariff number	85366990
Country of origin	DE

SACC-E-MINMS-5CON-PG13/0,5 - Device connector front mounting



1521452

<https://www.phoenixcontact.com/us/products/1521452>

Technical data

Mounting

Mounting type	Front mounting (Pg13,5)
---------------	-------------------------

Product properties

Product type	Circular connectors (device side)
Number of positions	5
No. of cable outlets	1
Shielded	no
Coding	A
Thread type	7/8"

Insulation characteristics

Overvoltage category	II
Degree of pollution	3

Material specifications

Flammability rating according to UL 94	HB
Seal material	Viton
Contact material	CuZn
Contact surface material	Au
Contact carrier material	PUR
Material for screw connection	Zinc die-cast, nickel-plated

Electrical properties

Contact resistance	$\leq 5 \text{ m}\Omega$
Insulation resistance	$\geq 100 \text{ M}\Omega$
Nominal voltage U_N	250 V
Nominal current I_N	9 A

Connection data

Conductor connection

Connection method	Individual wires
Contact connection type	Socket
Conductor cross-section	0.75 mm ²

Connector

Connection 1

Head design	Pin
Head cable outlet	straight
Head thread type	7/8"-16UNF

SACC-E-MINMS-5CON-PG13/0,5 - Device connector front mounting



1521452

<https://www.phoenixcontact.com/us/products/1521452>

Connection 2

Head design	free cable end
-------------	----------------

Cable/line

Cable length	0.5 m
Cable type	PVC litz wire
Wire diameter incl. insulation	2.7 mm
Single wire, color	brown, white, blue, black, green-yellow
Cable cross section	0.75 mm ²
Conductor structure signal line	24x 0.20 mm
AWG signal line	18
Material wire insulation	PE
Thickness, insulation	0.85 mm (Core insulation)

Environmental and real-life conditions

Ambient conditions

Degree of protection	IP67
	IP67
Ambient temperature (operation) (male connector/female connector)	-40 °C ... 85 °C (Plug)
Ambient temperature (operation) (fixed installation)	-40 °C ... 85 °C (cable, fixed installation)

SACC-E-MINMS-5CON-PG13/0,5 - Device connector front mounting

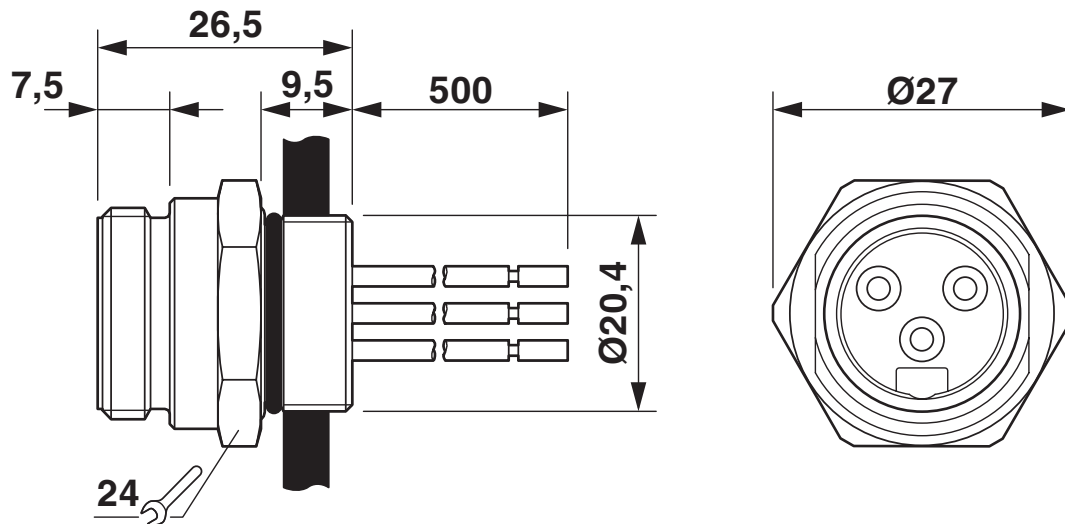


1521452

<https://www.phoenixcontact.com/us/products/1521452>

Drawings

Dimensional drawing



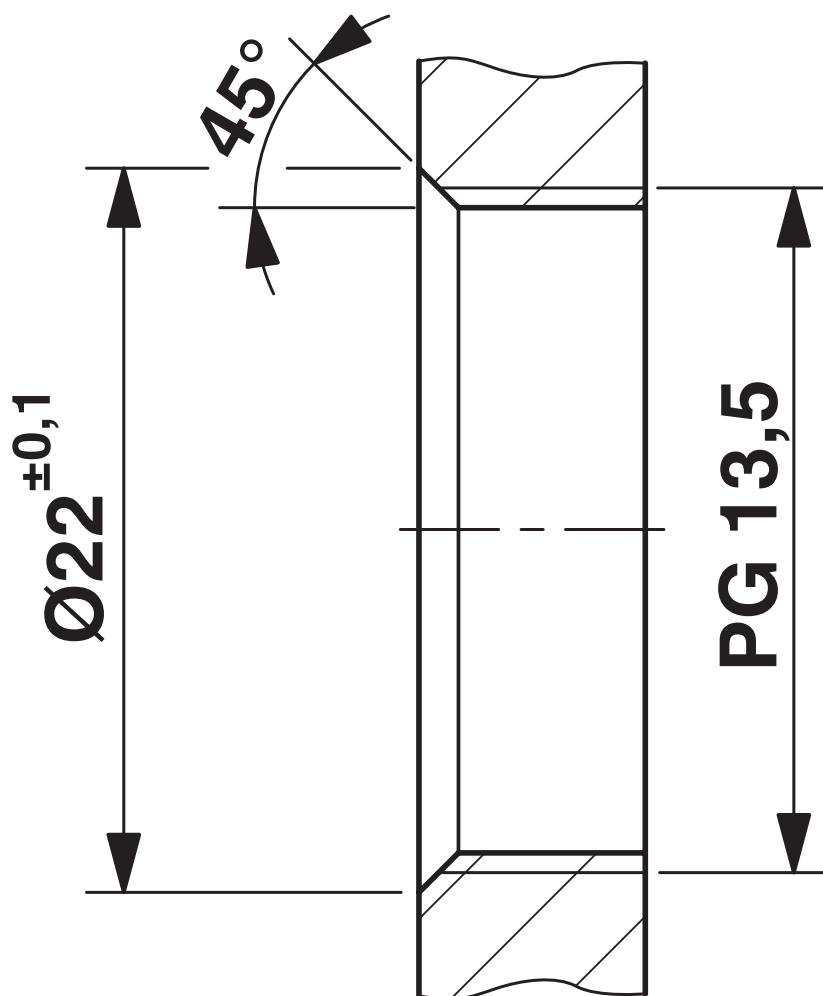
Dimensional drawing

SACC-E-MINMS-5CON-PG13/0,5 - Device connector front mounting

1521452

<https://www.phoenixcontact.com/us/products/1521452>

Dimensional drawing



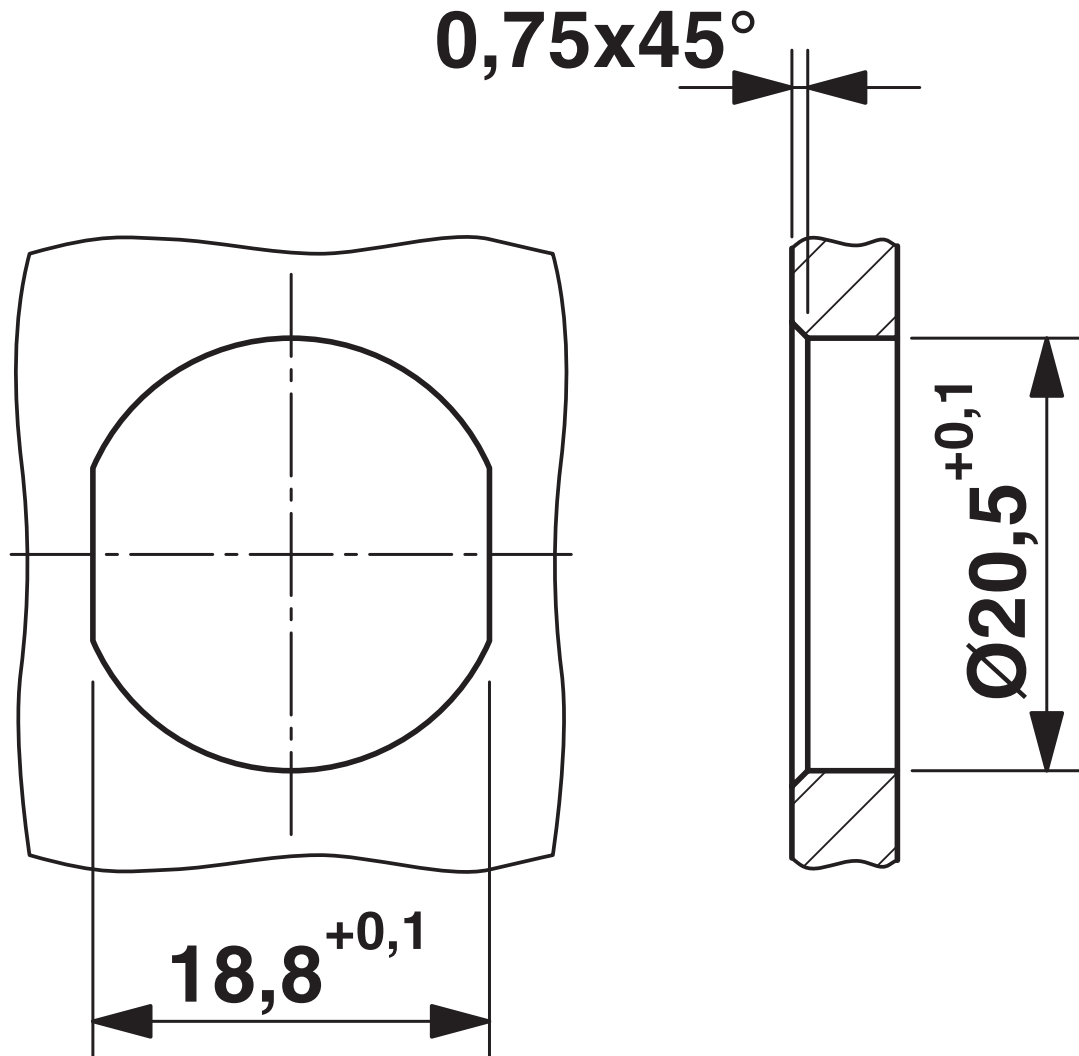
Mounting panel with thread

SACC-E-MINMS-5CON-PG13/0,5 - Device connector
front mounting

1521452

<https://www.phoenixcontact.com/us/products/1521452>

Dimensional drawing



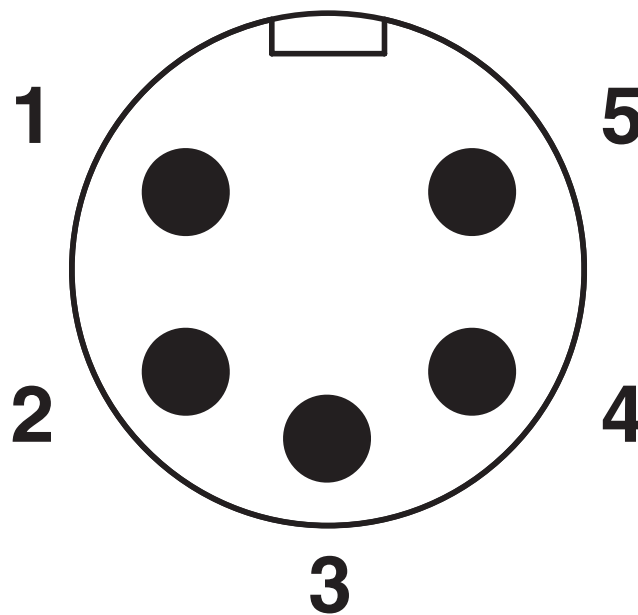
Mounting panel with feed-through hole

SACC-E-MINMS-5CON-PG13/0,5 - Device connector front mounting

1521452

<https://www.phoenixcontact.com/us/products/1521452>

Schematic diagram



Pin assignment, plug, 7/8"-16UNF, 5-pos., view of male side

SACC-E-MINMS-5CON-PG13/0,5 - Device connector front mounting





1521452

<https://www.phoenixcontact.com/us/products/1521452>

Approvals

To download certificates, visit the product detail page: <https://www.phoenixcontact.com/us/products/1521452>

 cUL Recognized Approval ID: E221474-20070307				
	Nominal voltage U_N	Nominal current I_N	Cross section AWG	Cross section mm^2
keine				
	600 V	8 A	20	-

 UL Recognized Approval ID: E221474-20070307				
	Nominal voltage U_N	Nominal current I_N	Cross section AWG	Cross section mm^2
keine				
	600 V	8 A	20	-

SACC-E-MINMS-5CON-PG13/0,5 - Device connector front mounting



1521452

<https://www.phoenixcontact.com/us/products/1521452>

Classifications

ECLASS

ECLASS-13.0	27440103
ECLASS-15.0	27440103

ETIM

ETIM 10.0	EC003570
-----------	----------

UNSPSC

UNSPSC 21.0	39121400
-------------	----------

SACC-E-MINMS-5CON-PG13/0,5 - Device connector front mounting



1521452

<https://www.phoenixcontact.com/us/products/1521452>

Environmental product compliance

EU RoHS

Fulfills EU RoHS substance requirements	Yes
Exemption	6(c)

China RoHS

Environment friendly use period (EFUP)	EFUP-50
	An article-related China RoHS declaration table can be found in the download area for the respective article under "Manufacturer declaration". For all articles with EFUP-E, no China RoHS declaration table issued and required.

EU REACH SVHC

REACH candidate substance (CAS No.)	Lead(CAS: 7439-92-1)
SCIP	50f4497e-8cf7-46c0-a056-b8c44bde640c

Phoenix Contact 2026 © - all rights reserved
<https://www.phoenixcontact.com>

Phoenix Contact USA
586 Fulling Mill Road
Middletown, PA 17057, United States
(+717) 944-1300
info@phoenixcon.com