

# SACC-E-MINFS-3CON-PG13/0,5 - Flush-type connector



1521407

<https://www.phoenixcontact.com/us/products/1521407>

Please be informed that the data shown in this PDF document is generated from our online catalog. Please find the complete data in the user documentation. Our general terms of use for downloads are valid.



Sensor/actuator flush-type socket, 3-pos., 7/8", front mounting with Pg13.5 thread, with 0.5 m PVC litz wire, 3 x 0.75 mm<sup>2</sup>

## Commercial data

Item number	1521407
Packing unit	1 pc
Note	Made to order (non-returnable)
Sales key	A11
Product key	ABQPAA
GTIN	4017918949624
Weight per piece (including packing)	54.2 g
Weight per piece (excluding packing)	51.648 g
Customs tariff number	85366990
Country of origin	DE

# SACC-E-MINFS-3CON-PG13/0,5 - Flush-type connector



1521407

<https://www.phoenixcontact.com/us/products/1521407>

## Technical data

### Mounting

Mounting type	Front mounting
---------------	----------------

### Product properties

Product type	Circular connectors (device side)
Number of positions	3
No. of cable outlets	1
Shielded	no
Coding	A

### Insulation characteristics

Overvoltage category	II
Degree of pollution	3

### Material specifications

Flammability rating according to UL 94	HB
Seal material	Viton
Contact material	CuZn
Contact surface material	Au
Contact carrier material	PUR
Material for screw connection	Zinc die-cast, nickel-plated

### Electrical properties

Contact resistance	$\leq 5 \text{ m}\Omega$
Insulation resistance	$\geq 100 \text{ M}\Omega$
Nominal voltage $U_N$	250 V
Nominal current $I_N$	12 A

### Connection data

#### Conductor connection

Connection method	Individual wires
-------------------	------------------

### Connector

#### Connection 1

Head design	Plug
Head cable outlet	straight
Head thread type	7/8"-16UNF

#### Connection 2

Head design	free cable end
-------------	----------------

### Cable/line

# SACC-E-MINFS-3CON-PG13/0,5 - Flush-type connector



1521407

<https://www.phoenixcontact.com/us/products/1521407>

Cable length	0.5 m
Cable type	PVC litz wire
Wire diameter incl. insulation	2.7 mm
Single wire, color	green/yellow, brown, blue
Cable cross section	0.75 mm <sup>2</sup>
Conductor structure signal line	24x 0.20 mm
AWG signal line	18
Material wire insulation	PE
Thickness, insulation	0.85 mm (Core insulation)
Ambient temperature (operation)	-40 °C ... 85 °C (cable, fixed installation)

## Environmental and real-life conditions

### Ambient conditions

Degree of protection	IP67
Ambient temperature (operation) (male connector/female connector)	-40 °C ... 85 °C (Socket)
Ambient temperature (operation) (Cable, fixed installation)	-40 °C ... 85 °C (cable, fixed installation)

# SACC-E-MINFS-3CON-PG13/0,5 - Flush-type connector

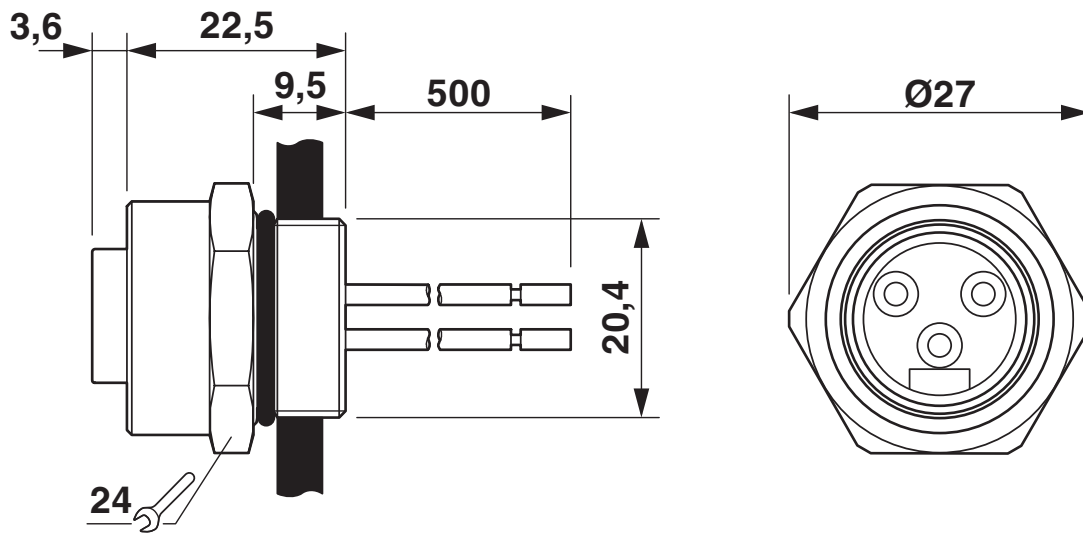


1521407

<https://www.phoenixcontact.com/us/products/1521407>

## Drawings

Dimensional drawing



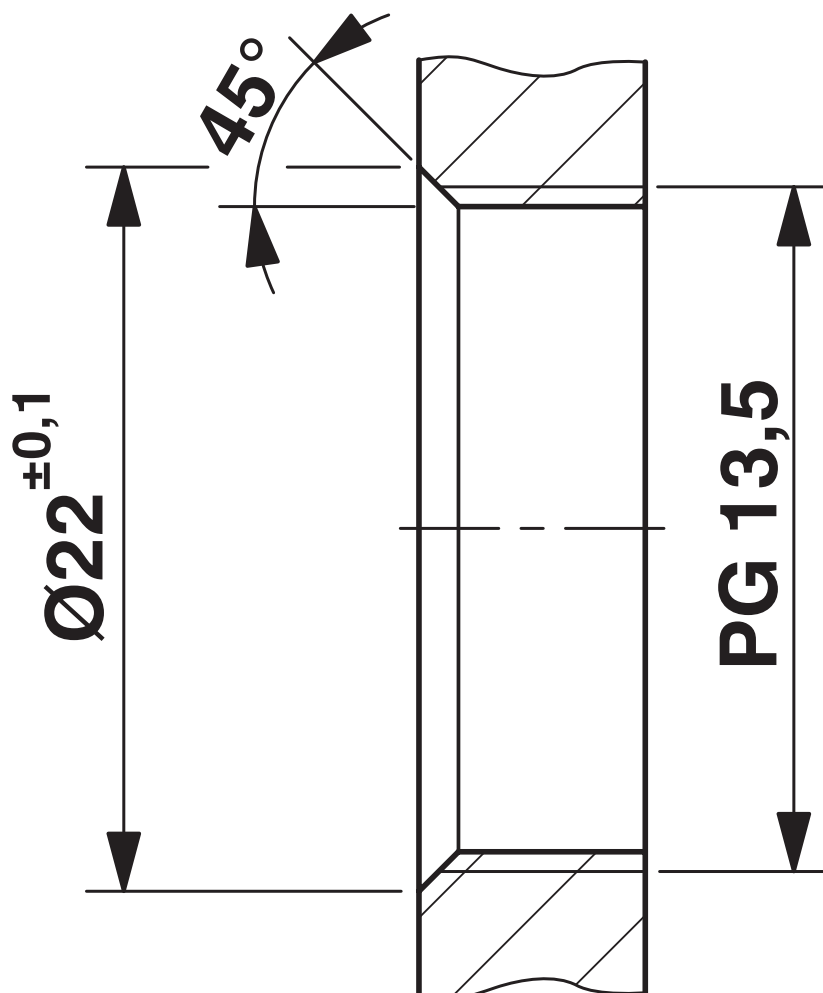
7/8" flush-type plug

# SACC-E-MINFS-3CON-PG13/0,5 - Flush-type connector

1521407

<https://www.phoenixcontact.com/us/products/1521407>

Dimensional drawing



Mounting panel with thread

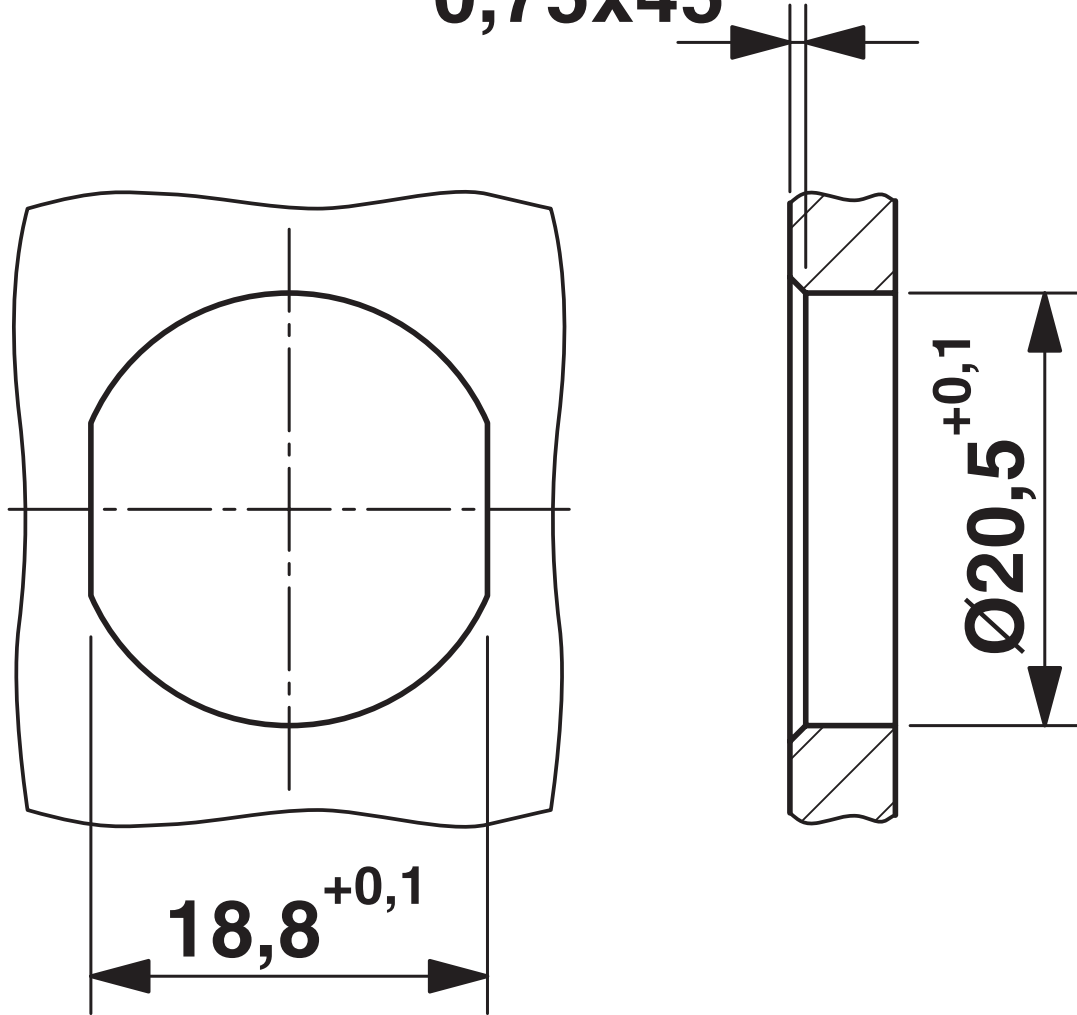
# SACC-E-MINFS-3CON-PG13/0,5 - Flush-type connector

1521407

<https://www.phoenixcontact.com/us/products/1521407>

Dimensional drawing

**0,75x45°**



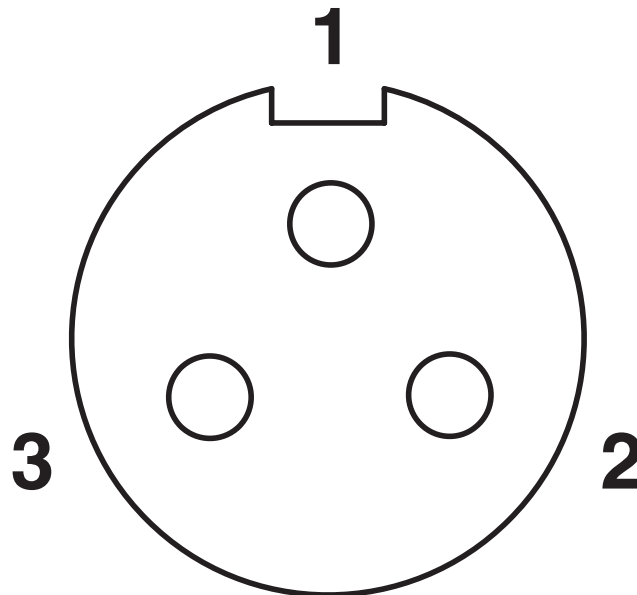
Mounting panel with feed-through hole

# SACC-E-MINFS-3CON-PG13/0,5 - Flush-type connector

1521407

<https://www.phoenixcontact.com/us/products/1521407>

Schematic diagram



Pin assignment, socket, 7/8"-16UNF, 3-pos., view of female side

Phoenix Contact 2026 © - all rights reserved  
<https://www.phoenixcontact.com>

Phoenix Contact USA  
586 Fulling Mill Road  
Middletown, PA 17057, United States  
(+717) 944-1300  
[info@phoenixcon.com](mailto:info@phoenixcon.com)