

SACC-MINFS-3CON-PG 9 - Connector



1521300

<https://www.phoenixcontact.com/us/products/1521300>

Please be informed that the data shown in this PDF document is generated from our online catalog. Please find the complete data in the user documentation. Our general terms of use for downloads are valid.



Connector, Universal, 3-position, Socket straight 7/8"-16UNF, coding: A, Screw connection, knurl material: Zinc die-cast, nickel-plated, cable gland Pg9, external cable diameter 6 mm ... 8 mm

Your advantages

- Safe use in the field, thanks to a high degree of protection
- Screw connection: proven connection technology for a large selection of different conductors

Commercial data

| | |
|--------------------------------------|---------------|
| Item number | 1521300 |
| Packing unit | 1 pc |
| Minimum order quantity | 1 pc |
| Sales key | BF30 |
| Product key | AF2FAA |
| GTIN | 4017918949532 |
| Weight per piece (including packing) | 45.33 g |
| Weight per piece (excluding packing) | 43.3 g |
| Customs tariff number | 85366990 |
| Country of origin | DE |

SACC-MINFS-3CON-PG 9 - Connector



1521300

<https://www.phoenixcontact.com/us/products/1521300>

Technical data

Notes

| | |
|---------------|---|
| Assembly note | NOTE: Observe the permissible bending radii when routing cables, since the degree of protection may be at risk if the bending forces are too high. Reduce mechanical loads upstream of the connector, e.g., by using cable ties. |
|---------------|---|

Mounting

| | |
|---------------|--|
| Assembly note | The wires can be connected both with ferrules and without ferrules |
|---------------|--|

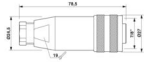
Product properties

| | |
|----------------------|---------------------------------|
| Product type | Circular connector (cable-side) |
| Sensor type | Universal |
| Number of positions | 3 |
| No. of cable outlets | 1 |
| Shielded | no |
| Coding | A |
| Cable outlet | straight |
| Pg screw connection | Pg9 |

Insulation characteristics

| | |
|----------------------|-----|
| Overvoltage category | III |
| Degree of pollution | 3 |

Dimensions

| | |
|---------------------|--|
| Dimensional drawing |  |
| Width | 27 mm |
| Height | 27 mm |
| Length | 78.5 mm |

External dimensions

| | |
|------------------|---------------|
| Outside diameter | 6 mm ... 8 mm |
|------------------|---------------|

Housing

| | |
|------------------|-------|
| Diameter housing | 27 mm |
|------------------|-------|

Material specifications

| | |
|--|------|
| Flammability rating according to UL 94 | HB |
| Material of grip body | PBT |
| Contact material | CuZn |
| Contact surface material | Au |

SACC-MINFS-3CON-PG 9 - Connector



1521300

<https://www.phoenixcontact.com/us/products/1521300>

| | |
|-------------------------------|------------------------------|
| Contact carrier material | PUR/PA 6.6 |
| Material for screw connection | Zinc die-cast, nickel-plated |

Connection data

Conductor connection

| | |
|---|--|
| Connection method | Screw connection |
| Connection cross section | 0.34 mm ² ... 1.5 mm ² (without ferrule) |
| | 0.34 mm ² ... 1.5 mm ² (with ferrule) |
| | 0.34 mm ² ... 1.5 mm ² (solid) |
| Connection cross section AWG | 22 ... 16 (without ferrule) |
| | 22 ... 16 (with ferrule) |
| Stripping length of the individual wire | 7 mm |
| Tightening torque | 0.8 Nm (7/8" connectors) |
| | 0.4 Nm (Screw terminal blocks) |
| | 0.8 Nm ... 1 Nm (Pressure screw) |

Electrical properties

| | |
|--------------------------------|----------|
| Rated surge voltage | 4 kV |
| Contact resistance | ≤ 5 mΩ |
| Insulation resistance | ≥ 100 MΩ |
| Nominal voltage U _N | 300 V AC |
| | 300 V DC |
| Nominal current I _N | 12 A |

Mechanical properties

Mechanical data

| | |
|-----------------------------|-------|
| Insertion/withdrawal cycles | ≥ 100 |
|-----------------------------|-------|

Connector

Connection 1

| | |
|-------------------|------------|
| Head design | Socket |
| Head cable outlet | straight |
| Head thread type | 7/8"-16UNF |
| Coding | A |

Cable/line

| | |
|---|-----------|
| Signal type/category | Universal |
| Stripping length of the individual wire | 7 mm |

Environmental and real-life conditions

Ambient conditions

| | |
|---|----------------------------------|
| Degree of protection | IP67 |
| Ambient temperature (operation) (male connector/female) | -25 °C ... 85 °C (Plug / socket) |

SACC-MINFS-3CON-PG 9 - Connector



1521300

<https://www.phoenixcontact.com/us/products/1521300>

connector)

SACC-MINFS-3CON-PG 9 - Connector

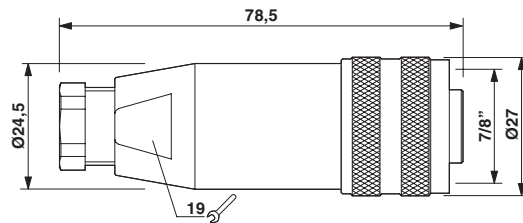


1521300

<https://www.phoenixcontact.com/us/products/1521300>

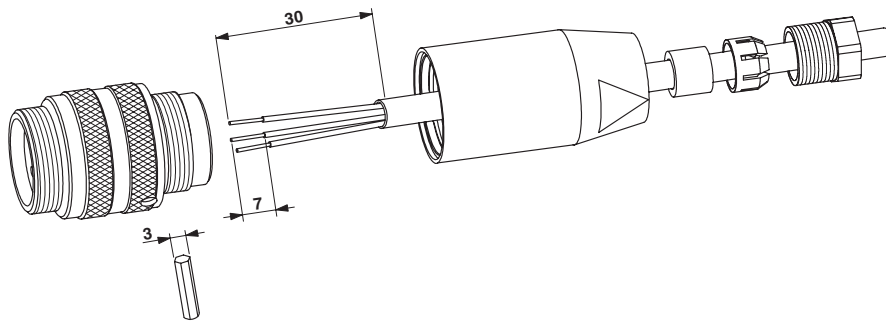
Drawings

Dimensional drawing



Socket $7/8''$ -16UNF, straight, Pg9

Functional drawing



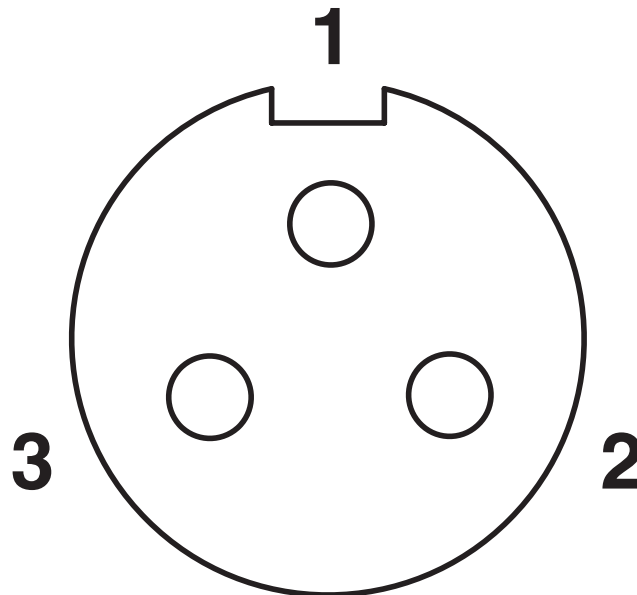
SACC-MINFS-3CON-PG 9 - Connector



1521300

<https://www.phoenixcontact.com/us/products/1521300>

Schematic diagram



Pin assignment, socket, 7/8"-16UNF, 3-pos., view of female side

SACC-MINFS-3CON-PG 9 - Connector





1521300

<https://www.phoenixcontact.com/us/products/1521300>

Approvals

To download certificates, visit the product detail page: <https://www.phoenixcontact.com/us/products/1521300>

|  cUL Recognized Approval ID: FILE E 221474 | | | | |
|---|-----------------------|-----------------------|-------------------|-----------------------------|
| | Nominal voltage U_N | Nominal current I_N | Cross section AWG | Cross section mm^2 |
| keine | | | | |
| | 600 V | 12 A | - | - |

|  UL Recognized Approval ID: FILE E 221474 | | | | |
|--|-----------------------|-----------------------|-------------------|-----------------------------|
| | Nominal voltage U_N | Nominal current I_N | Cross section AWG | Cross section mm^2 |
| keine | | | | |
| | 600 V | 12 A | - | - |

SACC-MINFS-3CON-PG 9 - Connector



1521300

<https://www.phoenixcontact.com/us/products/1521300>

Classifications

ECLASS

| | |
|-------------|----------|
| ECLASS-13.0 | 27440116 |
| ECLASS-15.0 | 27440116 |

ETIM

| | |
|-----------|----------|
| ETIM 10.0 | EC002635 |
|-----------|----------|

UNSPSC

| | |
|-------------|----------|
| UNSPSC 21.0 | 39121400 |
|-------------|----------|

1521300

<https://www.phoenixcontact.com/us/products/1521300>

Environmental product compliance

EU RoHS

| | |
|---|------|
| Fulfills EU RoHS substance requirements | Yes |
| Exemption | 6(c) |

China RoHS

| | |
|--|---|
| Environment friendly use period (EFUP) | EFUP-50 |
| | An article-related China RoHS declaration table can be found in the download area for the respective article under "Manufacturer declaration". For all articles with EFUP-E, no China RoHS declaration table issued and required. |

EU REACH SVHC

| | |
|-------------------------------------|--------------------------------------|
| REACH candidate substance (CAS No.) | Lead(CAS: 7439-92-1) |
| SCIP | 880f7cd6-4c13-48eb-8385-264ddc0396b8 |

EF3.1 Climate Change

| | |
|---------|---------------|
| CO2e kg | 1.442 kg CO2e |
|---------|---------------|

Phoenix Contact 2026 © - all rights reserved
<https://www.phoenixcontact.com>

Phoenix Contact USA
586 Fulling Mill Road
Middletown, PA 17057, United States
(+717) 944-1300
info@phoenixcon.com