

# SACB- 4/3-L-M12-M8 - Distributor box



1516234

<https://www.phoenixcontact.com/us/products/1516234>

Please be informed that the data shown in this PDF document is generated from our online catalog. Please find the complete data in the user documentation. Our general terms of use for downloads are valid.



Distributor box, application: Standard, connection method: M8 socket Metal, number of slots: 4, number of positions: 3, coding: A, slot assignment: single, status display: yes, PNP; master cable connection: M12 plug connection 90°, shielding: no

## Your advantages

- Safety in the field, thanks to molded housing and high degree of protection
- Convenient: increased machine availability thanks to quick and easy diagnostics

## Commercial data

|                                      |                                |
|--------------------------------------|--------------------------------|
| Item number                          | 1516234                        |
| Packing unit                         | 1 pc                           |
| Note                                 | Made to order (non-returnable) |
| Sales key                            | BF40                           |
| Product key                          | AF3BCB                         |
| GTIN                                 | 4017918967161                  |
| Weight per piece (including packing) | 92.9 g                         |
| Weight per piece (excluding packing) | 91.7 g                         |
| Customs tariff number                | 85366990                       |
| Country of origin                    | PL                             |

# SACB- 4/3-L-M12-M8 - Distributor box



1516234

<https://www.phoenixcontact.com/us/products/1516234>

## Technical data

### Notes

|                     |   |
|---------------------|---|
| Assembly note       | <b>NOTE:</b> Observe the permissible bending radii when routing cables, since the degree of protection may be at risk if the bending forces are too high. Reduce mechanical loads upstream of the connector, e.g., by using cable ties. |
| Note on application | Unused slots are to be sealed off prior to commissioning. Suitable sealing elements are to be found under "Accessories".  |

### Product properties

|                     |                 |
|---------------------|-----------------|
| Product type        | Distributor box |
| Application         | Standard        |
| Number of positions | 3               |
| Number of slots     | 4               |
| Coding              | A               |
| LED                 | yes             |

### System properties

#### Local diagnostics

|                        |                           |
|------------------------|---------------------------|
| Monitored function     | Supply voltage per module |
| Optical representation | Green LED                 |

### Electrical properties

|   |                                     |
|---|-------------------------------------|
| Max. operating voltage $U_{max}$        | 30 V DC                             |
| Local diagnostics                       | Supply voltage per module Green LED |
|   | Status display I/O Yellow LED       |
| Nominal voltage $U_N$                   | 24 V DC                             |
| Rated current, total                    | 4 A                                 |
| Max. current carrying capacity per path | 2 A                                 |
| Current carrying capacity per slot      | 2 A                                 |

### Connection data

#### Conductor connection

|  |           |
|--|-----------|
| Sensor/actuator connection system                  | M8 socket |
| Tightening torque slot sensor/actuator cable       | 0.2 Nm    |
| Tightening torque - master cable - plug connection | 0.4 Nm    |

#### Connection assignment

|  |                      |
|--|----------------------|
| Slot/position = Wire color or connection | 1 / 4 (A) = 1        |
|  | 2 / 4 (A) = 2        |
|  | 3 / 4 (A) = 3        |
|  | 4 / 4 (A) = 4        |
|  | 1-4 / 1 (+ 24 V) = 5 |

# SACB- 4/3-L-M12-M8 - Distributor box



1516234

<https://www.phoenixcontact.com/us/products/1516234>

1-4 / 3 (0 V) = 7

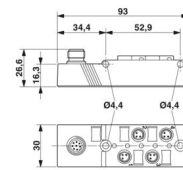
## Signaling

Status display present

yes

## Dimensions

Dimensional drawing



Width

30 mm

Height

27 mm

Length

93 mm

## Material specifications

Material Threaded sleeve

Cu alloy

Material Housing

PBT

Material Molding compound

PUR

Flammability rating according to UL 94

V0

Seal material O-ring

NBR

Contact material

CuSn

Contact surface material

Ni/Au

Contact carrier material

PA

Material of contact, master cable side

CU alloy

Material of contact surface, master cable side

gold-plated

## Cable/line

Connection method

M12 plug connection

## Environmental and real-life conditions

Ambient conditions

Degree of protection

IP65

IP67

Ambient temperature (operation)

-30 °C ... 80 °C

## Standards and regulations

M12

Standard designation

M12 connector

Standards/specifications

IEC 61076-2-101

M8

Standard designation

M8 connector

# SACB- 4/3-L-M12-M8 - Distributor box



1516234

<https://www.phoenixcontact.com/us/products/1516234>

Standards/specifications

IEC 61076-2-104

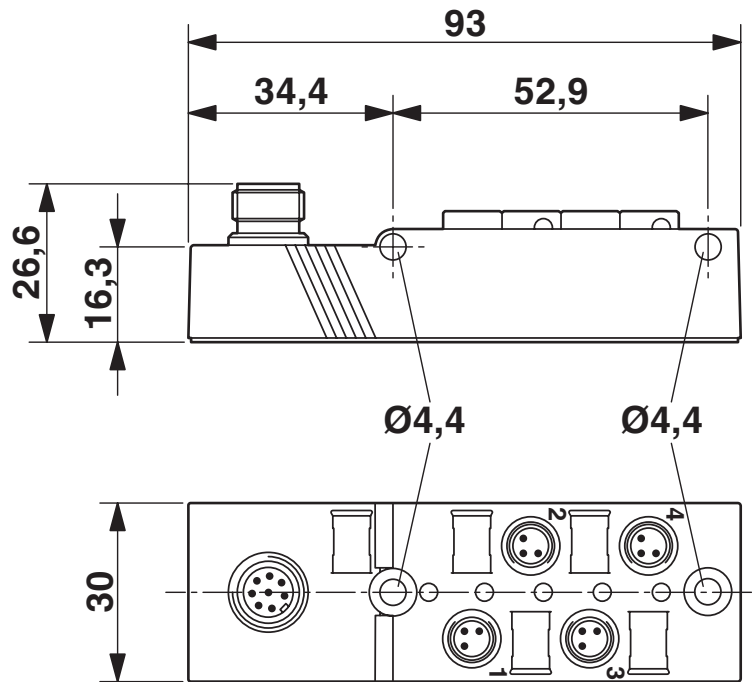
# SACB- 4/3-L-M12-M8 - Distributor box

1516234

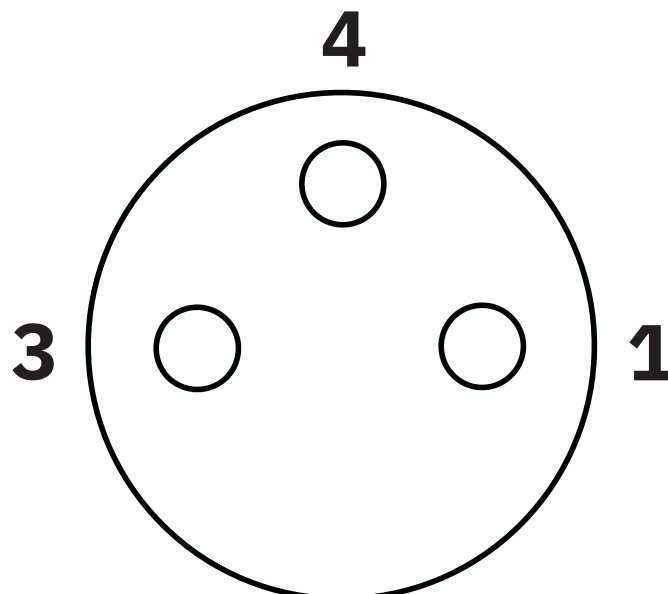
<https://www.phoenixcontact.com/us/products/1516234>

## Drawings

Dimensional drawing



Schematic diagram



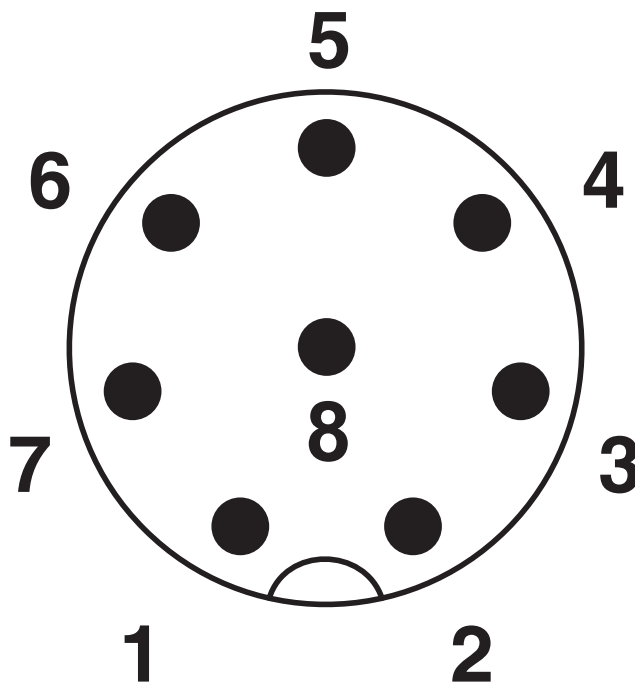
Pin assignment M8 socket, 3-pos.

# SACB- 4/3-L-M12-M8 - Distributor box

1516234

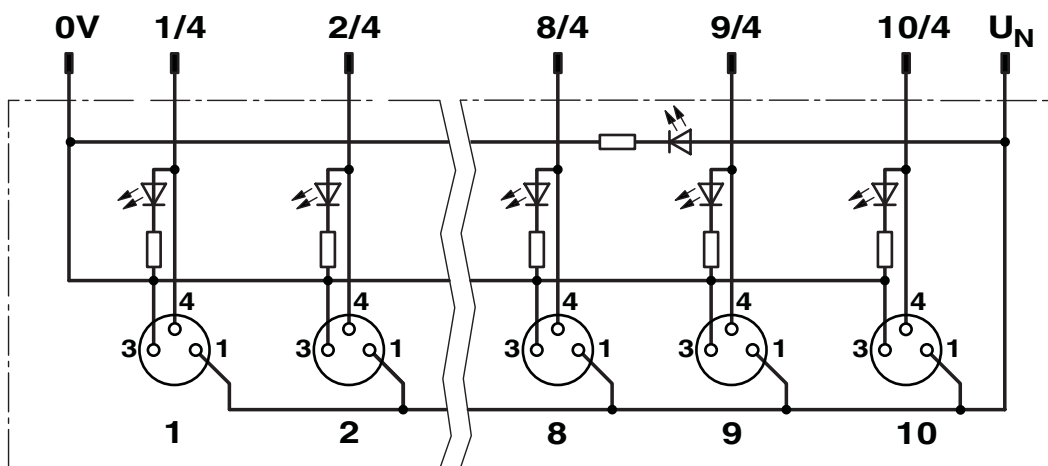
<https://www.phoenixcontact.com/us/products/1516234>

Schematic diagram



Connector pin assignment for M12 plug-in connection, 8-pos.

Circuit diagram



Further information can be found in the connection assignment section

# SACB- 4/3-L-M12-M8 - Distributor box



1516234

<https://www.phoenixcontact.com/us/products/1516234>

## Classifications

### ECLASS

|             |          |
|-------------|----------|
| ECLASS-13.0 | 27440111 |
| ECLASS-15.0 | 27440111 |

### UNSPSC

|             |          |
|-------------|----------|
| UNSPSC 21.0 | 31251501 |
|-------------|----------|

# SACB- 4/3-L-M12-M8 - Distributor box



1516234

<https://www.phoenixcontact.com/us/products/1516234>

## Environmental product compliance

### EU RoHS

|   |                    |
|---|--------------------|
| Fulfills EU RoHS substance requirements | Yes                |
| Exemption                               | 6(c), 7(a), 7(c)-I |

### China RoHS

|  |   |
|--|---|
| Environment friendly use period (EFUP) | EFUP-50   |
|  | An article-related China RoHS declaration table can be found in the download area for the respective article under "Manufacturer declaration". For all articles with EFUP-E, no China RoHS declaration table issued and required. |

### EU REACH SVHC

|                                     |                      |
|-------------------------------------|----------------------|
| REACH candidate substance (CAS No.) | Lead(CAS: 7439-92-1) |
|-------------------------------------|----------------------|

Phoenix Contact 2026 © - all rights reserved  
<https://www.phoenixcontact.com>

Phoenix Contact USA  
586 Fulling Mill Road  
Middletown, PA 17057, United States  
(+717) 944-1300  
[info@phoenixcon.com](mailto:info@phoenixcon.com)