

SACB- 8/4-L- 5,0PUR-M8 - Distributor box



1516111

<https://www.phoenixcontact.com/us/products/1516111>

Please be informed that the data shown in this PDF document is generated from our online catalog. Please find the complete data in the user documentation. Our general terms of use for downloads are valid.



Distributor box, application: Standard, connection method: M8 socket Metal, number of slots: 8, number of positions: 4, coding: A, slot assignment: Double, status display: yes, PNP; master cable connection: Fixed connection 180°, PUR/PVC, cable length: 5 m, shielding: no

Your advantages

- Safety in the field, thanks to molded housing and high degree of protection
- Convenient: increased machine availability thanks to quick and easy diagnostics
- Save space: distributor box with double occupancy for two sensors in one slot

Commercial data

Item number	1516111
Packing unit	1 pc
Note	Made to order (non-returnable)
Sales key	BF40
Product key	AF3BCA
GTIN	4017918967093
Weight per piece (including packing)	864.1 g
Weight per piece (excluding packing)	858.2 g
Customs tariff number	85444290
Country of origin	DE

Technical data

Notes

Assembly note	NOTE: Observe the permissible bending radii when routing cables, since the degree of protection may be at risk if the bending forces are too high. Reduce mechanical loads upstream of the connector, e.g., by using cable ties.
Note on application	Unused slots are to be sealed off prior to commissioning. Suitable sealing elements are to be found under "Accessories".

Product properties

Product type	Distributor box
Application	Standard
Number of positions	4
Number of slots	8
Coding	A
LED	yes

System properties

Local diagnostics

Monitored function	Supply voltage
Optical representation	Green LED

Electrical properties

Max. operating voltage U_{max}	30 V DC
Local diagnostics	Supply voltage Green LED
	Status display I/O Yellow LED
Nominal voltage U_N	24 V DC
Rated current, total	6 A
Max. current carrying capacity per path	2 A
Current carrying capacity per slot	2 A

Connection data

Conductor connection

Sensor/actuator connection system	M8 socket
Tightening torque slot sensor/actuator cable	0.2 Nm

Connection assignment

Slot/position = Wire color or connection	1 / 4 (A) = WH
	1 / 2 (B) = GYPK
	2 / 4 (A) = GN
	2 / 2 (B) = RDBU
	3 / 4 (A) = YE
	3 / 2 (B) = WHGN

SACB- 8/4-L- 5,0PUR-M8 - Distributor box



1516111

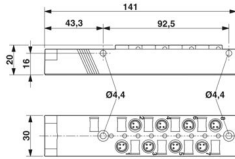
<https://www.phoenixcontact.com/us/products/1516111>

	4 / 4 (A) = GY
	4 / 2 (B) = BNGN
	5 / 4 (A) = PK
	5 / 2 (B) = WHYE
	6 / 4 (A) = RD
	6 / 2 (B) = YEBN
	7 / 4 (A) = BK
	7 / 2 (B) = WHGY
	8 / 4 (A) = VT
	8 / 2 (B) = GYBN
	1-8 / 1 (+ 24 V) = BN
	1-8 / 3 (0 V) = BU

Signaling

Status display present	yes
------------------------	-----

Dimensions

Dimensional drawing	
Width	30 mm
Height	22 mm
Length	141 mm

Material specifications

Material Threaded sleeve	Cu alloy
Material Housing	PBT
Material Molding compound	PUR
Flammability rating according to UL 94	V0
Seal material O-ring	NBR
Contact material	CuSn
Contact surface material	Ni/Au
Contact carrier material	PA

Cable/line

Cable length	5 m
--------------	-----

PUR/PVC black [PUR]

Number of positions	18
Shielded	no
Cable type	PUR/PVC black [PUR]
Conductor structure signal line	42x 0.10 mm

SACB- 8/4-L- 5,0PUR-M8 - Distributor box



1516111

<https://www.phoenixcontact.com/us/products/1516111>

AWG signal line	22
Conductor structure, voltage supply	96x 0.10 mm
AWG power supply	18
Conductor cross-section	16x 0.34 mm ² (Signal line)
	2x 0.75 mm ² (Power supply)
External cable diameter	10.10 mm ±0.2 mm
Outer sheath, material	PUR
External sheath, color	deep black RAL 9005
Conductor material	Bare Cu litz wires
Material wire insulation	PVC
Single wire, color	brown, blue, white, green, yellow, gray, pink, red, black, violet, gray/pink, red/blue, white/green, brown/green, white/yellow, yellow/brown, white/gray, gray/brown
Overall twist	Wires twisted in layers
Nominal voltage, cable	300 V (Signal line)
	500 V (Power supply)
Test voltage	1200 V (Signal line)
	2000 V (Power supply)
Dynamic load capacity (bending)	Max. bending cycles: 1500000, Bending radius: 110 mm, Traversing path: 2 m, Traversing rate: 2 m/s
Flame resistance	DIN EN 50265
Resistance to oil	according to VDE 0472 Part 803
Other resistance	Highly resistant to acids, alkaline solutions and solvents
Special properties	Silicone-free
Ambient temperature (operation)	-40 °C ... 90 °C (cable, fixed installation)
	-5 °C ... 80 °C (Cable, flexible installation)

Environmental and real-life conditions

Ambient conditions

Degree of protection	IP65
	IP67
Ambient temperature (operation)	-30 °C ... 80 °C

Standards and regulations

Standard designation	M8 connector
Standards/specifications	IEC 61076-2-104

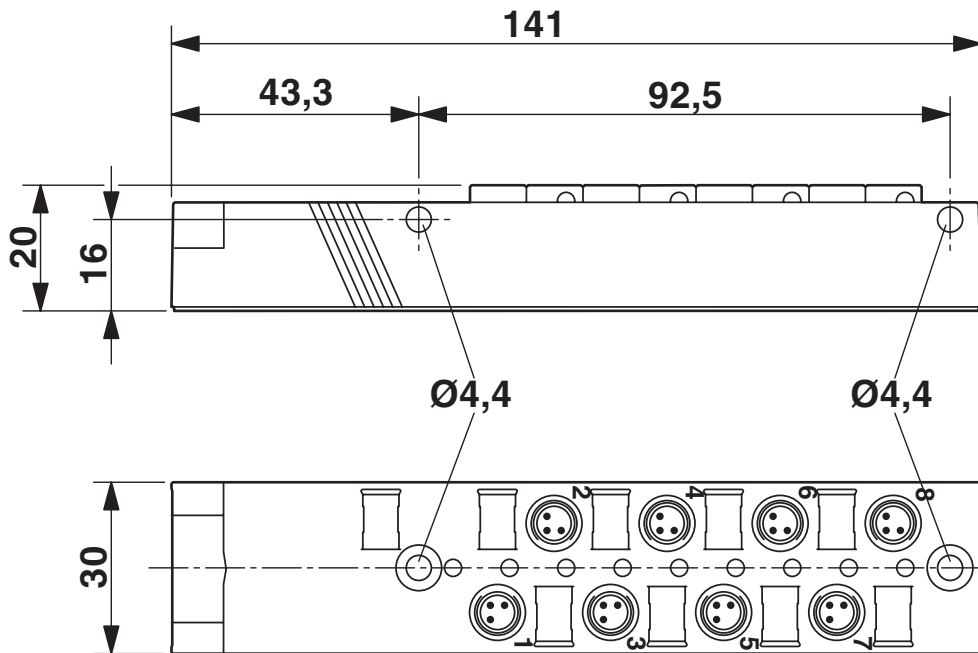
SACB- 8/4-L- 5,0PUR-M8 - Distributor box

1516111

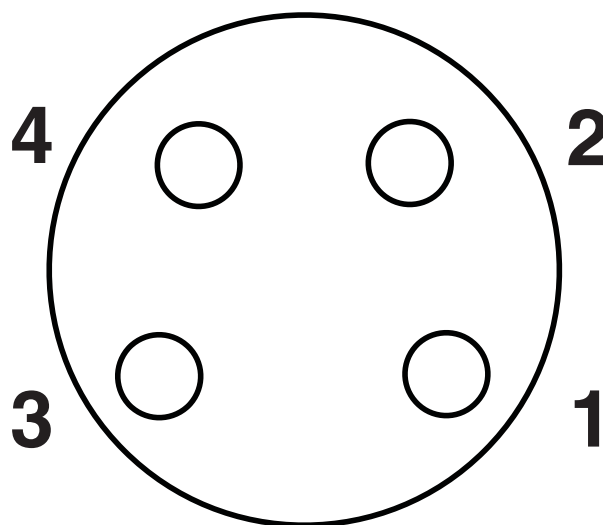
<https://www.phoenixcontact.com/us/products/1516111>

Drawings

Dimensional drawing



Schematic diagram



Pin assignment M8 socket, 4-pos.

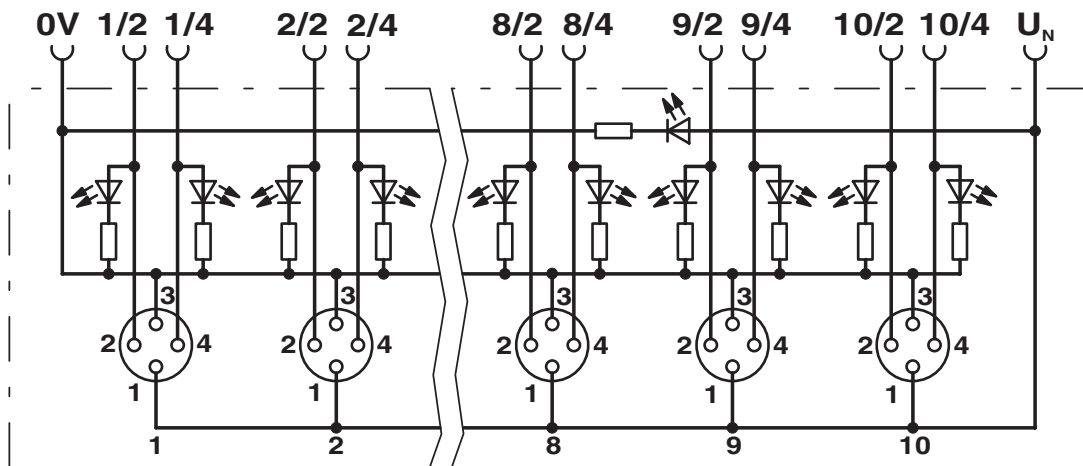
SACB- 8/4-L- 5,0PUR-M8 - Distributor box



1516111

<https://www.phoenixcontact.com/us/products/1516111>

Circuit diagram



SACB- 8/4-L- 5,0PUR-M8 - Distributor box



1516111

<https://www.phoenixcontact.com/us/products/1516111>

Classifications

ECLASS

ECLASS-13.0	27440108
ECLASS-15.0	27440108

UNSPSC

UNSPSC 21.0	31251501
-------------	----------

SACB- 8/4-L- 5,0PUR-M8 - Distributor box



1516111

<https://www.phoenixcontact.com/us/products/1516111>

Environmental product compliance

EU RoHS

Fulfills EU RoHS substance requirements	Yes
Exemption	6(c), 7(a), 7(c)-I

China RoHS

Environment friendly use period (EFUP)	EFUP-E
	No hazardous substances above the limits

EU REACH SVHC

REACH candidate substance (CAS No.)	Lead(CAS: 7439-92-1)
-------------------------------------	----------------------

Phoenix Contact 2026 © - all rights reserved

<https://www.phoenixcontact.com>

Phoenix Contact USA
586 Fulling Mill Road
Middletown, PA 17057, United States
(+717) 944-1300
info@phoenixcon.com