

SACC-M12FRB-5SC SH - Connector



1513606

<https://www.phoenixcontact.com/us/products/1513606>

Please be informed that the data shown in this PDF document is generated from our online catalog. Please find the complete data in the user documentation. Our general terms of use for downloads are valid.

Connector, 5-position, shielded, Socket angled M12, coding: B, Spring-cage connection, knurl material: Brass, nickel-plated, external cable diameter 4 mm ... 8 mm



Your advantages

- Safe use in the field, thanks to a high degree of protection
- Spring-cage connection: connect more securely, even in the case of shock and vibration, thanks to high contact forces
- Reliable signal transmission – 360° shielding in environments with electromagnetic interference

Commercial data

| | |
|--------------------------------------|--------------------------------|
| Item number | 1513606 |
| Packing unit | 1 pc |
| Note | Made to order (non-returnable) |
| Sales key | BF33 |
| Product key | AF2CFA |
| GTIN | 4017918946685 |
| Weight per piece (including packing) | 49.4 g |
| Weight per piece (excluding packing) | 49.4 g |
| Customs tariff number | 85366990 |
| Country of origin | DE |

SACC-M12FRB-5SC SH - Connector



1513606

<https://www.phoenixcontact.com/us/products/1513606>

Technical data

Mounting

| | |
|---------------|---|
| Assembly note | The connector pin assignment can be rotated 45° to the cable outlet |
| | The wires can be connected both with ferrules and without ferrules |

Product properties

| | |
|----------------------|---------------------------------|
| Product type | Circular connector (cable-side) |
| Number of positions | 5 |
| No. of cable outlets | 1 |
| Shielded | yes |
| Coding | B |
| Cable outlet | angled |

Insulation characteristics

| | |
|----------------------|----|
| Overvoltage category | II |
| Degree of pollution | 3 |

Dimensions

External dimensions

| | |
|------------------|---------------|
| Outside diameter | 4 mm ... 8 mm |
|------------------|---------------|

Material specifications

| | |
|--|------------------------------|
| Flammability rating according to UL 94 | V0 |
| Seal material | NBR |
| Material of grip body | Zinc die-cast, nickel-plated |
| Contact material | CuSn |
| Contact surface material | Ni/Au |
| Contact carrier material | PA 6.6 |
| Material for screw connection | Brass, nickel-plated |

Connection data

Conductor connection

| | |
|---|--|
| Connection method | Spring-cage connection |
| Connection cross section | 0.14 mm ² ... 0.5 mm ² |
| Connection cross section AWG | 26 ... 20 |
| Stripping length of the individual wire | 10 mm |
| Tightening torque | 0.4 Nm (M12 knurl) |
| | 0.8 Nm (Connector with coupling sleeve) |
| | 3 Nm (Pressure nut) |

Electrical properties

SACC-M12FRB-5SC SH - Connector



1513606

<https://www.phoenixcontact.com/us/products/1513606>

| | |
|-----------------------|----------------------------|
| Contact resistance | $\leq 8 \text{ m}\Omega$ |
| Insulation resistance | $\geq 100 \text{ M}\Omega$ |
| Nominal voltage U_N | 60 V DC |
| | 48 V AC |
| Nominal current I_N | 4 A |

Mechanical properties

Mechanical data

| | |
|-----------------------------|------------|
| Insertion/withdrawal cycles | ≥ 100 |
|-----------------------------|------------|

Connector

Connection 1

| | |
|-------------------|--------|
| Head design | Socket |
| Head cable outlet | angled |
| Head thread type | M12 |
| Coding | B |

Cable/line

| | |
|---|-------|
| Stripping length of the individual wire | 10 mm |
|---|-------|

Environmental and real-life conditions

Ambient conditions

| | |
|---|----------------------------------|
| Degree of protection | IP67 |
| Ambient temperature (operation) (male connector/female connector) | -40 °C ... 85 °C (Plug / socket) |

Standards and regulations

| | |
|--------------------------|-----------------|
| Standard designation | M12 connector |
| Standards/specifications | IEC 61076-2-101 |

SACC-M12FRB-5SC SH - Connector

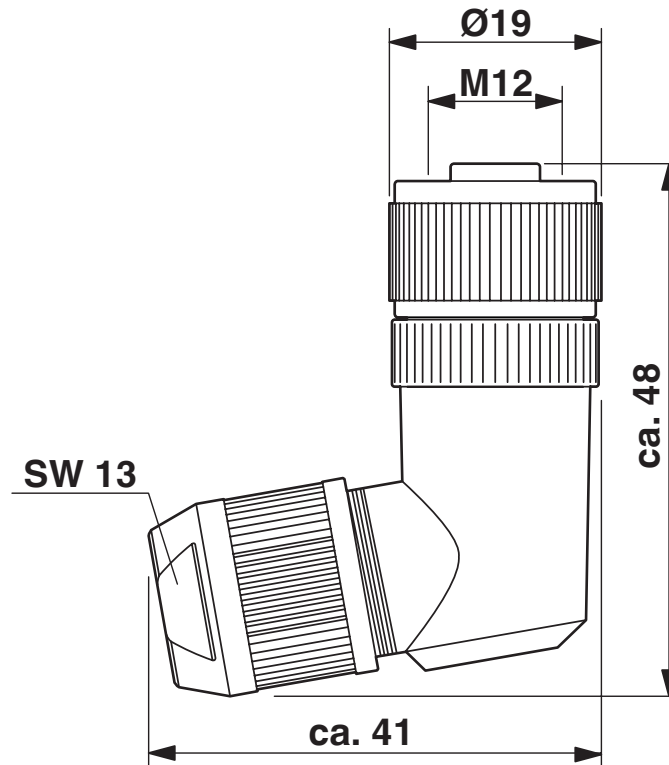
1513606

<https://www.phoenixcontact.com/us/products/1513606>



Drawings

Dimensional drawing

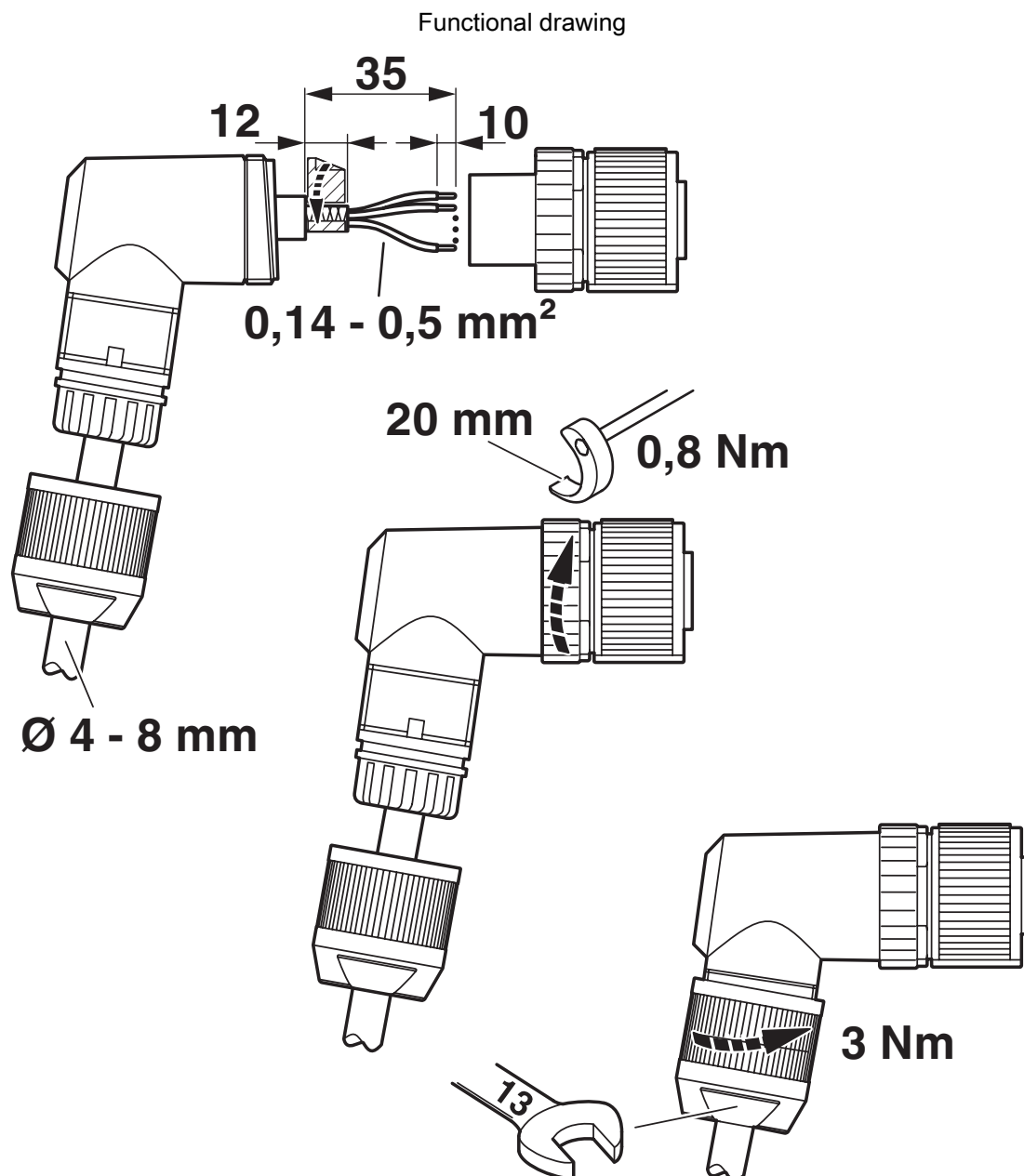


M12 x 1 socket, angled, shielded

SACC-M12FRB-5SC SH - Connector

1513606

<https://www.phoenixcontact.com/us/products/1513606>



Slide the pressure nut and sleeve housing along the cable, strip the cable, shorten the shield, strip the single wires, connect the wires, in the case of a straight sleeve housing gently twist the wires together, stick the shielding foil around the shortened shield, in the case of a cable outside diameter < 6 mm stick an additional shielding foil around the wire pack, screw the sleeve housing to the plug insert, screw the pressure nut tight.

SACC-M12FRB-5SC SH - Connector

1513606

<https://www.phoenixcontact.com/us/products/1513606>



Schematic diagram



Pin assignment M12 socket, 5-pos., B-coded, female side

SACC-M12FRB-5SC SH - Connector



1513606

<https://www.phoenixcontact.com/us/products/1513606>

Classifications

ECLASS

| | |
|-------------|----------|
| ECLASS-13.0 | 27440116 |
| ECLASS-15.0 | 27440116 |

Phoenix Contact 2026 © - all rights reserved

<https://www.phoenixcontact.com>

Phoenix Contact USA
586 Fulling Mill Road
Middletown, PA 17057, United States
(+717) 944-1300
info@phoenixcon.com