

# SACC-M12MS-5SC SH - Connector



1512555

<https://www.phoenixcontact.com/us/products/1512555>

Please be informed that the data shown in this PDF document is generated from our online catalog. Please find the complete data in the user documentation. Our general terms of use for downloads are valid.



Connector, 5-position, shielded, Plug straight M12, coding: A, Spring-cage connection, knurl material: Brass, nickel-plated, external cable diameter 4 mm ... 8 mm

## Your advantages

- Safe use in the field, thanks to a high degree of protection
- Spring-cage connection: connect more securely, even in the case of shock and vibration, thanks to high contact forces
- Reliable signal transmission – 360° shielding in environments with electromagnetic interference

## Commercial data

Item number	1512555
Packing unit	1 pc
Note	Made to order (non-returnable)
Sales key	BF33
Product key	AF2CFA
GTIN	4017918946517
Weight per piece (including packing)	40.6 g
Weight per piece (excluding packing)	40.4 g
Customs tariff number	85366990
Country of origin	DE

# SACC-M12MS-5SC SH - Connector

1512555

<https://www.phoenixcontact.com/us/products/1512555>

## Technical data

### Mounting

Assembly note	The wires can be connected both with ferrules and without ferrules
---------------	--

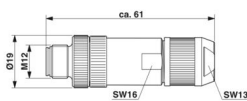
### Product properties

Product type	Circular connector (cable-side)
Number of positions	5
No. of cable outlets	1
Shielded	yes
Coding	A

### Insulation characteristics

Overvoltage category	II
Degree of pollution	3

### Dimensions

Dimensional drawing	
Wrench size, union nut	13 mm

### External dimensions

Outside diameter	4 mm ... 8 mm
------------------	---------------

### Material specifications

Flammability rating according to UL 94	V0
Seal material	NBR
Material of grip body	Zinc die-cast, nickel-plated
Contact material	CuSn
Contact surface material	Ni/Au
Contact carrier material	PA 6.6
Material for screw connection	Brass, nickel-plated

### Connection data

#### Conductor connection

Connection method	Spring-cage connection
Connection cross section	0.14 mm <sup>2</sup> ... 0.5 mm <sup>2</sup>
Connection cross section AWG	26 ... 20
Stripping length of the individual wire	10 mm
	0.4 Nm (M12 knurl)

# SACC-M12MS-5SC SH - Connector



1512555

<https://www.phoenixcontact.com/us/products/1512555>

Tightening torque	0.8 Nm (Connector with coupling sleeve)
	3 Nm (Pressure nut with coupling sleeve)

## Electrical properties

Contact resistance	$\leq 8 \text{ m}\Omega$
Insulation resistance	$\geq 100 \text{ M}\Omega$
Nominal voltage $U_N$	60 V DC
	48 V AC
Nominal current $I_N$	4 A

## Mechanical properties

### Mechanical data

Insertion/withdrawal cycles	$\geq 100$
-----------------------------	------------

## Connector

### Connection 1

Head design	Plug
Head cable outlet	straight
Head thread type	M12
Coding	A

## Cable/line

Stripping length of the individual wire	10 mm
---	-------

## Environmental and real-life conditions

### Ambient conditions

Degree of protection	IP67
Ambient temperature (operation) (male connector/female connector)	-40 °C ... 85 °C (Plug / socket)

## Standards and regulations

Standard designation	M12 connector
Standards/specifications	IEC 61076-2-101
Standard designation	Shock, vibration
Standards/specifications	EN 50155:2001
Note	for conductor cross-section of 0.14 mm <sup>2</sup> ... 0.34 mm <sup>2</sup>

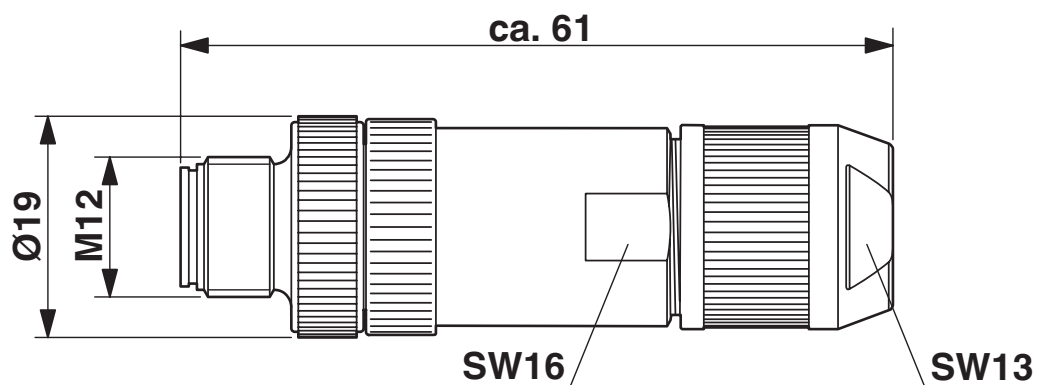
# SACC-M12MS-5SC SH - Connector

1512555

<https://www.phoenixcontact.com/us/products/1512555>

## Drawings

Dimensional drawing



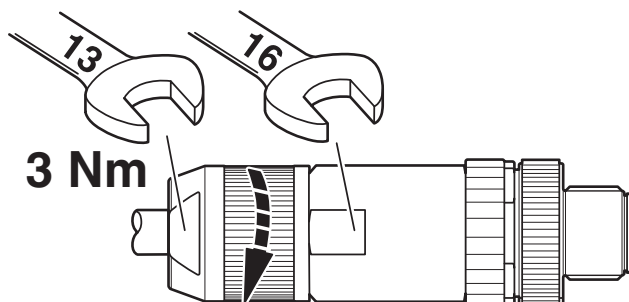
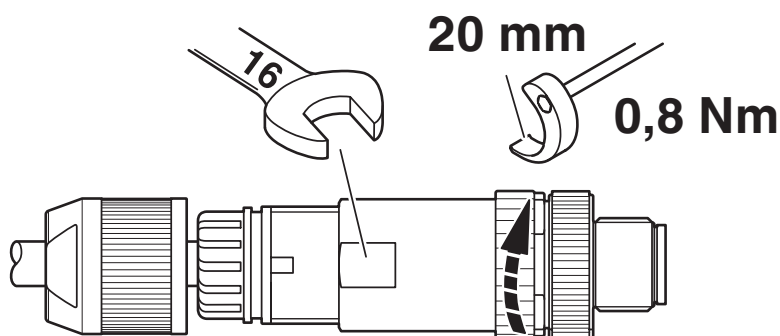
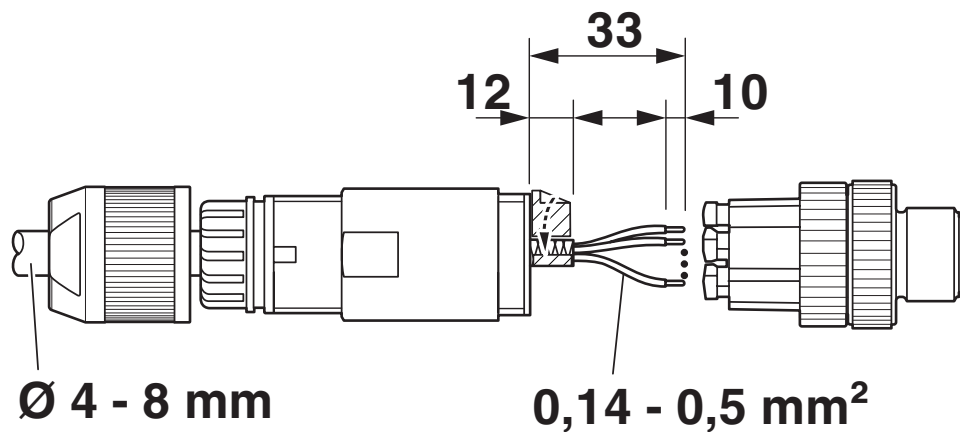
Plug, M12 x 1, straight, shielded

# SACC-M12MS-5SC SH - Connector

1512555

<https://www.phoenixcontact.com/us/products/1512555>

Functional drawing



Slide the pressure nut and sleeve housing along the cable, strip the cable, shorten the shield, strip the single wires, connect the wires, in the case of a straight sleeve housing gently twist the wires together, stick the shielding foil around the shortened shield, in the case of a cable outside diameter < 6 mm stick an additional shielding foil around the wire pack, screw the sleeve housing to the plug insert, screw the pressure nut tight.

# SACC-M12MS-5SC SH - Connector

1512555

<https://www.phoenixcontact.com/us/products/1512555>



Schematic diagram



Pin assignment M12 male connector, 5-pos., A-coded, male side

# SACC-M12MS-5SC SH - Connector



1512555

<https://www.phoenixcontact.com/us/products/1512555>

## Classifications

### ECLASS

ECLASS-13.0	27440116
ECLASS-15.0	27440116

Phoenix Contact 2026 © - all rights reserved

<https://www.phoenixcontact.com>

Phoenix Contact USA  
586 Fulling Mill Road  
Middletown, PA 17057, United States  
(+717) 944-1300  
[info@phoenixcon.com](mailto:info@phoenixcon.com)