

SAC-5P-M12MS PB TR - Termination resistor



1507803

<https://www.phoenixcontact.com/us/products/1507803>

Please be informed that the data shown in this PDF document is generated from our online catalog. Please find the complete data in the user documentation. Our general terms of use for downloads are valid.

Terminating resistor PROFIBUS M12



Commercial data

Item number	1507803
Packing unit	5 pc
Minimum order quantity	1 pc
Sales key	BF10
Product key	AF1GVX
GTIN	4017918900403
Weight per piece (including packing)	10.9 g
Weight per piece (excluding packing)	7.69 g
Customs tariff number	85332100
Country of origin	DE

SAC-5P-M12MS PB TR - Termination resistor



1507803

<https://www.phoenixcontact.com/us/products/1507803>

Technical data

Product properties

Product type	Terminal resistor
Number of positions	4
Coding	B

Insulation characteristics

Overvoltage category	II
Degree of pollution	3

Electrical properties

Insulation resistance	$\geq 100 \text{ M}\Omega$
Nominal voltage U_N	48 V AC
	60 V DC
	5 V_{rms}
Nominal current I_N	4 A
	$\leq 25 \text{ mA (I}_{\text{eff}})$

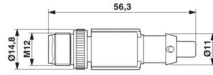
General

Termination resistor	$390 \Omega \pm 1 \% \text{ (R1)}$
	$220 \Omega \pm 1 \% \text{ (R2)}$
	$390 \Omega \pm 1 \% \text{ (R3)}$
Power consumption	0.25 W (R1)
	0.25 W (R2)
	0.25 W (R3)

Signaling

Status display	no
Status display present	no

Dimensions

Dimensional drawing	
Width	15 mm
Height	14.8 mm
Length	56.3 mm

Material specifications

Flammability rating according to UL 94	HB
Material of grip body	TPU, hardly inflammable, self-extinguishing

SAC-5P-M12MS PB TR - Termination resistor



1507803

<https://www.phoenixcontact.com/us/products/1507803>

Contact material	CuSn
Contact surface material	Ni/Au
Contact carrier material	TPU GF
Material for screw connection	Zinc die-cast, nickel-plated

Connector

Connection 1

Type	Plug straight M12
Coding type	B

Connection 2

Type	free cable end
------	----------------

Mechanical properties

Mechanical data

Insertion/withdrawal cycles	≥ 100
-----------------------------	-------

Environmental and real-life conditions

Ambient conditions

Degree of protection	IP65
	IP67
Ambient temperature (operation) (male connector/female connector)	-25 °C ... 90 °C (Plug)

SAC-5P-M12MS PB TR - Termination resistor

1507803

<https://www.phoenixcontact.com/us/products/1507803>

Drawings

Dimensional drawing



Plug, M12 x 1, straight, shielded

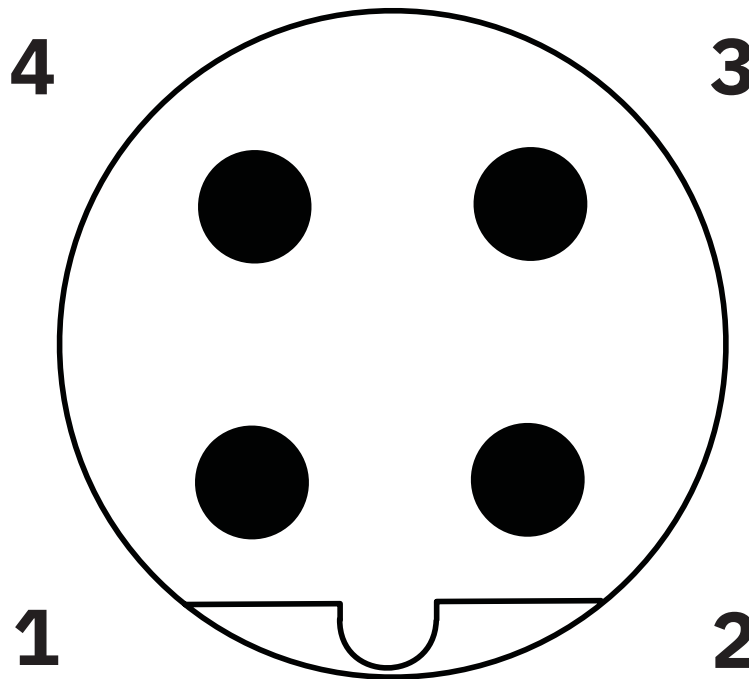
SAC-5P-M12MS PB TR - Termination resistor

1507803

<https://www.phoenixcontact.com/us/products/1507803>

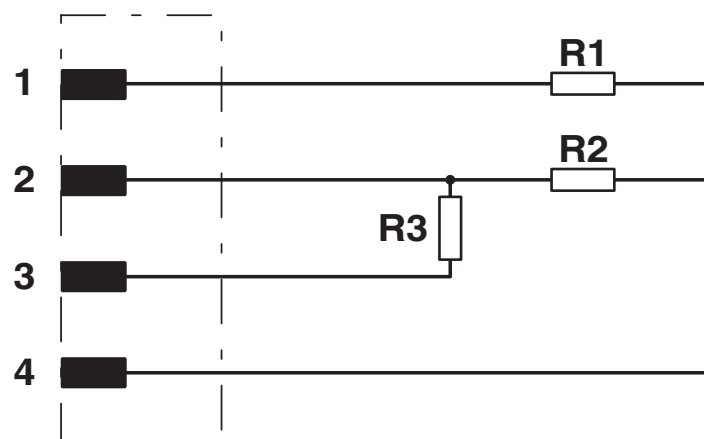


Schematic diagram



Pin assignment of M12 male connector, 4-pos., B-coded, view of pin side

Circuit diagram



Contact assignment of the termination resistor; for resistance values, see technical data

SAC-5P-M12MS PB TR - Termination resistor



1507803

<https://www.phoenixcontact.com/us/products/1507803>

Classifications

ECLASS

ECLASS-13.0	19070403
ECLASS-15.0	19070403

ETIM

ETIM 10.0	EC000448
-----------	----------

UNSPSC

UNSPSC 21.0	32121600
-------------	----------

SAC-5P-M12MS PB TR - Termination resistor



1507803

<https://www.phoenixcontact.com/us/products/1507803>

Environmental product compliance

EU RoHS

Fulfills EU RoHS substance requirements	Yes, No exemptions
---	--------------------

China RoHS

Environment friendly use period (EFUP)	EFUP-E
	No hazardous substances above the limits

EU REACH SVHC

REACH candidate substance (CAS No.)	No substance above 0.1 wt%
-------------------------------------	----------------------------

EF3.1 Climate Change

CO2e kg	0.284 kg CO2e
---------	---------------

Phoenix Contact 2026 © - all rights reserved
<https://www.phoenixcontact.com>

Phoenix Contact USA
586 Fulling Mill Road
Middletown, PA 17057, United States
(+717) 944-1300
info@phoenixcon.com