

SACB-10/3-L-SC-M8 - Distributor box



1503409

<https://www.phoenixcontact.com/us/products/1503409>

Please be informed that the data shown in this PDF document is generated from our online catalog. Please find the complete data in the user documentation. Our general terms of use for downloads are valid.



Distributor box, application: Standard, connection method: M8 socket Metal, number of slots: 10, number of positions: 3, coding: A, slot assignment: single, status display: yes, PNP; master cable connection: Spring-cage connection 180°, shielding: no

Your advantages

- Safety in the field, thanks to molded housing and high degree of protection
- Convenient: increased machine availability thanks to quick and easy diagnostics
- Flexible: distributor box with connector hood for on-site assembly

Commercial data

Item number	1503409
Packing unit	1 pc
Note	Made to order (non-returnable)
Sales key	BF40
Product key	AF3BCC
GTIN	4017918966966
Weight per piece (including packing)	217.4 g
Weight per piece (excluding packing)	176.9 g
Customs tariff number	85366990
Country of origin	PL

SACB-10/3-L-SC-M8 - Distributor box



1503409

<https://www.phoenixcontact.com/us/products/1503409>

Technical data

Notes

Assembly note	NOTE: Observe the permissible bending radii when routing cables, since the degree of protection may be at risk if the bending forces are too high. Reduce mechanical loads upstream of the connector, e.g., by using cable ties.
Note on application	Unused slots are to be sealed off prior to commissioning. Suitable sealing elements are to be found under "Accessories".

Product properties

Product type	Distributor box
Application	Standard
Number of positions	3
Number of slots	10
Coding	A
LED	yes

System properties

Local diagnostics

Monitored function	Supply voltage
Optical representation	Green LED

Electrical properties

Max. operating voltage U_{max}	30 V DC
Local diagnostics	Supply voltage Green LED
	Status display I/O Yellow LED
Nominal voltage U_N	24 V DC
Rated current, total	6 A
Max. current carrying capacity per path	2 A
Current carrying capacity per slot	2 A

Connection data

Conductor connection

Sensor/actuator connection system	M8 socket
Conductor cross-section Flexible signal line	0.14 mm ² ... 0.5 mm ²
Conductor cross-section Flexible power supply	0.14 mm ² ... 1 mm ²
Connection cross section AWG Flexible signal line	26 ... 20
Connection cross section AWG Flexible power supply	26 ... 18
Stripping length Signal line	11 mm
Stripping length Power supply	10 mm
Stripping length of the sheath	70 mm (Master cable)
Tightening torque, cover screw	1 Nm

SACB-10/3-L-SC-M8 - Distributor box



1503409

<https://www.phoenixcontact.com/us/products/1503409>

Tightening torque slot sensor/actuator cable	0.2 Nm
Tightening torque, union nut	2.5 Nm

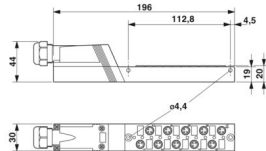
Connection assignment

Slot/position = Wire color or connection	1 / 4 (A) = 1 / 4
	2 / 4 (A) = 2 / 4
	3 / 4 (A) = 3 / 4
	4 / 4 (A) = 4 / 4
	5 / 4 (A) = 5 / 4
	6 / 4 (A) = 6 / 4
	7 / 4 (A) = 7 / 4
	8 / 4 (A) = 8 / 4
	9 / 4 (A) = 9 / 4
	10 / 4 (A) = 10 / 4
	1-10 / 1 (+24 V) = U _N
	1-10 / 3 (0 V) = 0 V

Signaling

Status display present	yes
------------------------	-----

Dimensions

Dimensional drawing	
Width	30 mm
Height	44 mm
Length	196 mm

Material specifications

Material Threaded sleeve	Cu alloy
Material Housing	PBT
Material Molding compound	PUR
Flammability rating according to UL 94	V0
Seal material O-ring	NBR
Contact material	CuSn
Contact surface material	Ni/Au
Contact carrier material	PA
Material of contact, master cable side	CuZn
Material of the contact carrier on the master cable side	PA 6.6 V0
Material of contact surface, master cable side	NiSn

Cable/line

SACB-10/3-L-SC-M8 - Distributor box



1503409

<https://www.phoenixcontact.com/us/products/1503409>

External cable diameter	7 mm ... 11 mm
Connection method	Spring-cage connection

Environmental and real-life conditions

Ambient conditions

Degree of protection	IP65
	IP67
Ambient temperature (operation)	-30 °C ... 80 °C

Standards and regulations

Standard designation	M8 connector
Standards/specifications	IEC 61076-2-104

SACB-10/3-L-SC-M8 - Distributor box

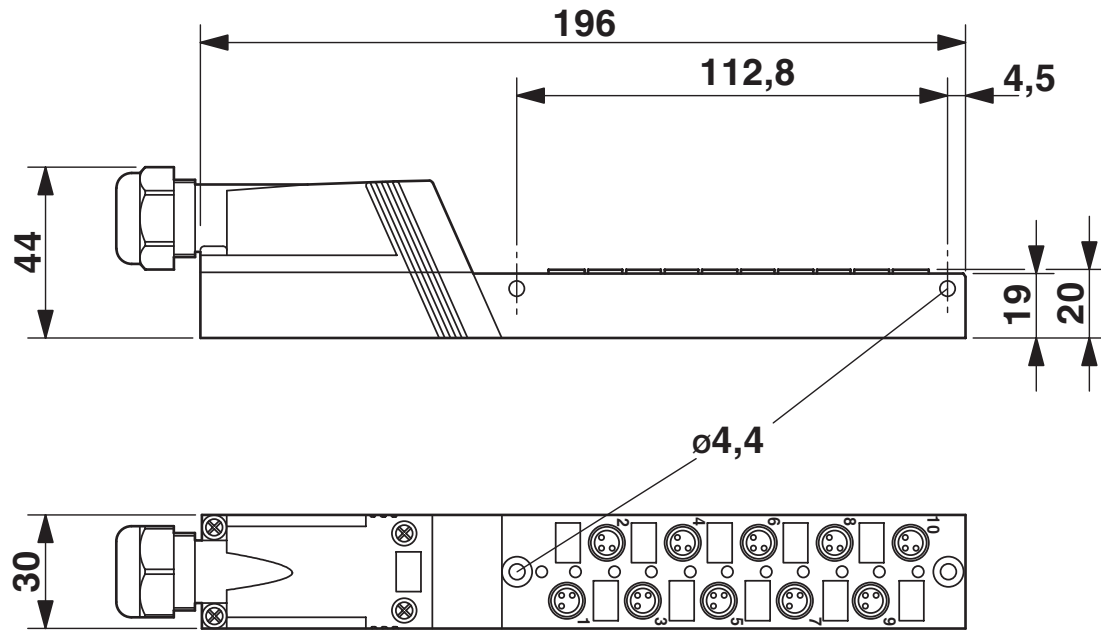


1503409

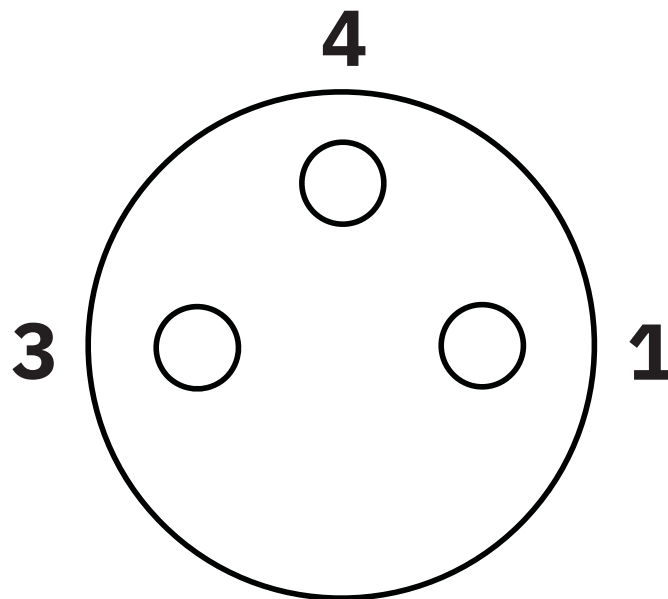
<https://www.phoenixcontact.com/us/products/1503409>

Drawings

Dimensional drawing



Schematic diagram



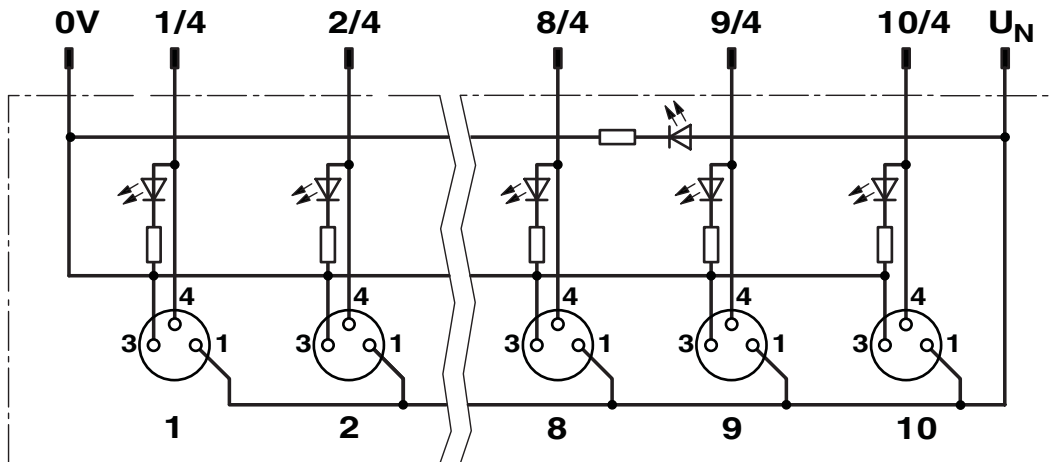
M8 slot, socket, 3-pos.

SACB-10/3-L-SC-M8 - Distributor box

1503409

<https://www.phoenixcontact.com/us/products/1503409>

Circuit diagram



SACB-10/3-L-SC-M8 - Distributor box



1503409

<https://www.phoenixcontact.com/us/products/1503409>

Classifications

ECLASS

ECLASS-13.0	27440111
ECLASS-15.0	27440111

UNSPSC

UNSPSC 21.0	31251501
-------------	----------

SACB-10/3-L-SC-M8 - Distributor box



1503409

<https://www.phoenixcontact.com/us/products/1503409>

Environmental product compliance

EU RoHS

Fulfills EU RoHS substance requirements	Yes
Exemption	6(c), 7(c)-I

China RoHS

Environment friendly use period (EFUP)	EFUP-50
	An article-related China RoHS declaration table can be found in the download area for the respective article under "Manufacturer declaration". For all articles with EFUP-E, no China RoHS declaration table issued and required.

EU REACH SVHC

REACH candidate substance (CAS No.)	Lead(CAS: 7439-92-1)
-------------------------------------	----------------------

Phoenix Contact 2026 © - all rights reserved
<https://www.phoenixcontact.com>

Phoenix Contact USA
586 Fulling Mill Road
Middletown, PA 17057, United States
(+717) 944-1300
info@phoenixcon.com