

HC-B 10-KML-H-M1PG16 - Housing



1460286

<https://www.phoenixcontact.com/us/products/1460286>

Please be informed that the data shown in this PDF document is generated from our online catalog. Please find the complete data in the user documentation. Our general terms of use for downloads are valid.



HEAVYCON B10 coupling housing, with single locking latch, height: 77.5 mm, with 1 x Pg16 screw connection, straight cable outlet

Commercial data

Item number	1460286
Packing unit	1 pc
Note	Made to order (non-returnable)
Sales key	BF55
Product key	AF7AAC
GTIN	4046356794602
Weight per piece (including packing)	234.9 g
Weight per piece (excluding packing)	226.46 g
Customs tariff number	85389099
Country of origin	DE

HC-B 10-KML-H-M1PG16 - Housing

1460286

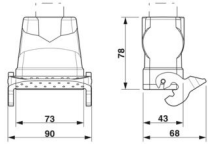
<https://www.phoenixcontact.com/us/products/1460286>

Technical data

Product properties

Product type	Housing with locking latch
Housing type	Coupling housings
Type	B10
No. of cable outlets	1
Type of the screw connection	1x Pg16
Cable outlet	straight
Pg screw connection	with

Dimensions

Dimensional drawing	
Width	43 mm
Height	77.5 mm
Length	73 mm
Wrench size, union nut	22 mm

Material specifications

Seal material	NBR
Housing material	Die-cast aluminum
Housing surface material	Powder-coated, gray
Locking latch material	Stainless steel, handle: PA

Mechanical properties

Mechanical data

Type of the screw connection	1x Pg16
------------------------------	---------

Cable/line

External cable diameter	7.5 mm ... 15 mm
-------------------------	------------------

Connection data

External cable diameter	7.5 mm ... 15 mm
-------------------------	------------------

Environmental and real-life conditions

Ambient conditions

Degree of protection	IP65
Ambient temperature (operation)	-40 °C ... 125 °C

HC-B 10-KML-H-M1PG16 - Housing

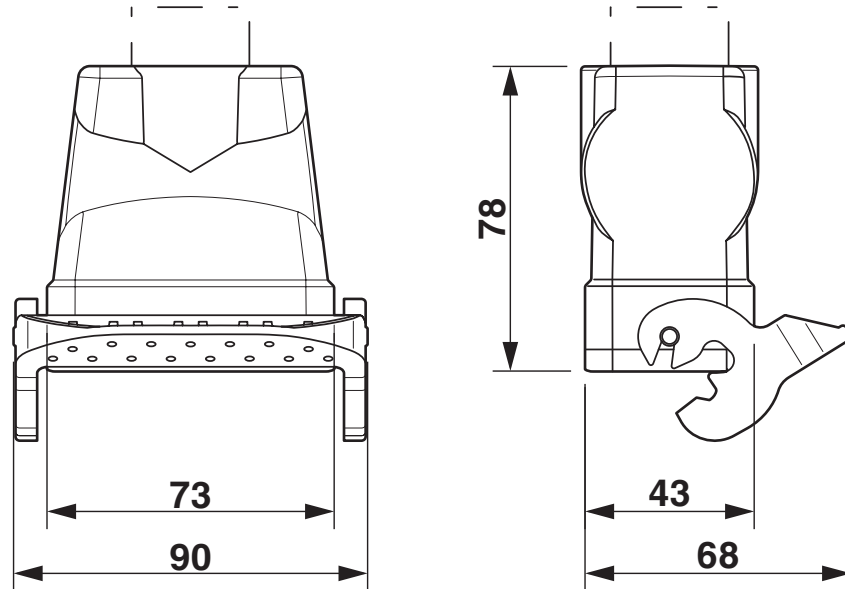


1460286

<https://www.phoenixcontact.com/us/products/1460286>

Drawings

Dimensional drawing



Dimensional drawing

HC-B 10-KML-H-M1PG16 - Housing



1460286

<https://www.phoenixcontact.com/us/products/1460286>

Classifications

ECLASS

ECLASS-13.0	27440202
ECLASS-15.0	27440202

UNSPSC

UNSPSC 21.0	31261501
-------------	----------

HC-B 10-KML-H-M1PG16 - Housing



1460286

<https://www.phoenixcontact.com/us/products/1460286>

Environmental product compliance

China RoHS

Environment friendly use period (EFUP)	EFUP-E
	No hazardous substances above the limits

EU REACH SVHC

REACH candidate substance (CAS No.)	No substance above 0.1 wt%
-------------------------------------	----------------------------

Phoenix Contact 2026 © - all rights reserved
<https://www.phoenixcontact.com>

Phoenix Contact USA
586 Fulling Mill Road
Middletown, PA 17057, United States
(+717) 944-1300
info@phoenixcon.com