

HC-B 06-SMLD-52/O1M20 - Housing



1460275

<https://www.phoenixcontact.com/us/products/1460275>

Please be informed that the data shown in this PDF document is generated from our online catalog. Please find the complete data in the user documentation. Our general terms of use for downloads are valid.



Box mounting base, with single locking latch, height: 74 mm, with glands, 2 x M20, with protective cover

Commercial data

Item number	1460275
Packing unit	1 pc
Note	Made to order (non-returnable)
Sales key	BF55
Product key	AF7AAC
GTIN	4046356696593
Weight per piece (including packing)	242 g
Weight per piece (excluding packing)	242 g
Customs tariff number	85389099
Country of origin	DE

HC-B 06-SMLD-52/O1M20 - Housing

1460275

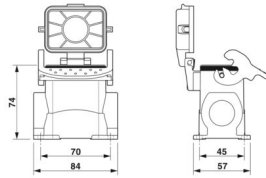
<https://www.phoenixcontact.com/us/products/1460275>

Technical data

Product properties

Product type	Housing with locking latch
Housing type	Surface mounting housing
Type	B6
No. of cable outlets	2
Type of the screw connection	1x M20
Protective cover	yes
Cable outlet	left (view of the opened single locking latch)
Pg screw connection	none

Dimensions

Dimensional drawing	
Width	57 mm
Height	52 mm
Length	84 mm

Material specifications

Seal material	NBR
Housing material	Die-cast aluminum
Housing surface material	Powder-coated, gray
Material, protective cover	PA
Locking latch material	Stainless steel, handle: PA

Mechanical properties

Mechanical data

Type of the screw connection	1x M20
------------------------------	--------

Mounting

Assembly note	For half and full screw connections
---------------	-------------------------------------

Environmental and real-life conditions

Ambient conditions

Degree of protection	IP65 (When plugged in) IP54 (with closed protective cover)
Ambient temperature (operation)	-40 °C ... 125 °C

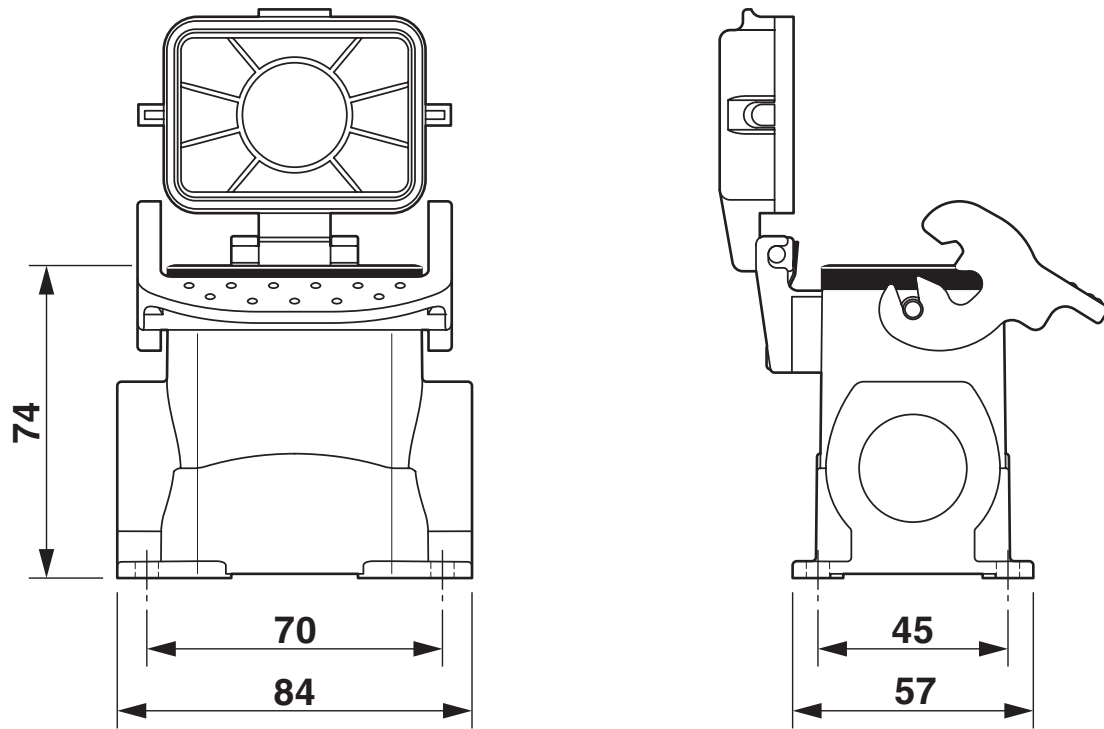
HC-B 06-SMLD-52/O1M20 - Housing

1460275

<https://www.phoenixcontact.com/us/products/1460275>

Drawings

Dimensional drawing



Dimensional drawing; h = 52 mm

HC-B 06-SMLD-52/O1M20 - Housing



1460275

<https://www.phoenixcontact.com/us/products/1460275>

Classifications

ECLASS

ECLASS-13.0	27440202
ECLASS-15.0	27440202

UNSPSC

UNSPSC 21.0	31261501
-------------	----------

HC-B 06-SMLD-52/O1M20 - Housing



1460275

<https://www.phoenixcontact.com/us/products/1460275>

Environmental product compliance

China RoHS

Environment friendly use period (EFUP)	EFUP-E
	No hazardous substances above the limits

EU REACH SVHC

REACH candidate substance (CAS No.)	No substance above 0.1 wt%
-------------------------------------	----------------------------

Phoenix Contact 2026 © - all rights reserved
<https://www.phoenixcontact.com>

Phoenix Contact USA
586 Fulling Mill Road
Middletown, PA 17057, United States
(+717) 944-1300
info@phoenixcon.com