

HC-B 24-TFL-N-O1STM32S - Housing



1460192

<https://www.phoenixcontact.com/us/products/1460192>

Please be informed that the data shown in this PDF document is generated from our online catalog. Please find the complete data in the user documentation. Our general terms of use for downloads are valid.



HEAVYCON B24 sleeve housing, for single locking latch, height: 65 mm, with 1 x M32 thread, lateral cable outlet

Commercial data

Item number	1460192
Packing unit	1 pc
Note	Made to order (non-returnable)
Sales key	BF55
Product key	AF7AAC
GTIN	4046356696364
Weight per piece (including packing)	225.47 g
Weight per piece (excluding packing)	225.47 g
Customs tariff number	85389099
Country of origin	DE

HC-B 24-TFL-N-O1STM32S - Housing

1460192

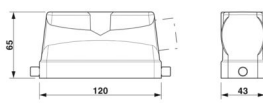
<https://www.phoenixcontact.com/us/products/1460192>

Technical data

Product properties

Product type	Housing with locking latch
Housing type	Sleeve housing
Application	Standard
Type	B24
No. of cable outlets	1
Type of the screw connection	1x M32
Shielded	no
Cable outlet	lateral
Pg screw connection	none

Dimensions

Dimensional drawing	
Width	43 mm
Height	65 mm
Length	120 mm

Material specifications

Housing material	Die-cast aluminum
Housing surface material	Powder-coated, gray

Mechanical properties

Mechanical data

Type of the screw connection	1x M32
Locking type	Pin

Environmental and real-life conditions

Ambient conditions

Degree of protection	IP65
Ambient temperature (operation)	-40 °C ... 125 °C

HC-B 24-TFL-N-O1STM32S - Housing

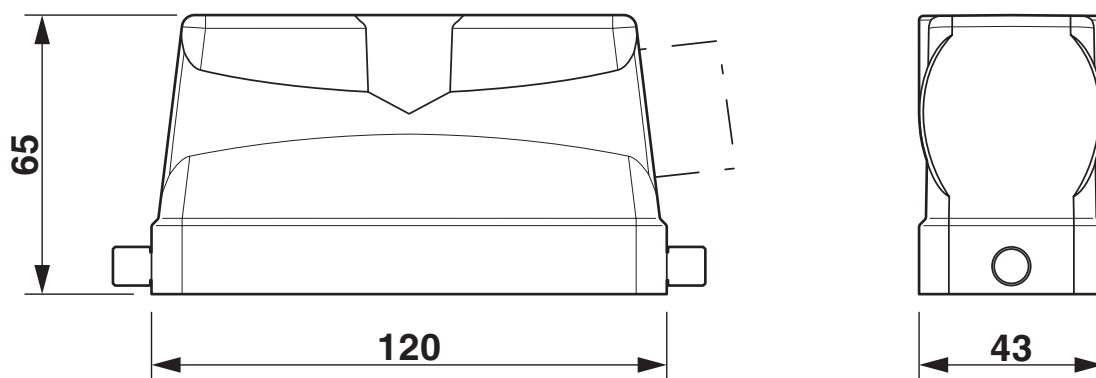


1460192

<https://www.phoenixcontact.com/us/products/1460192>

Drawings

Dimensional drawing



Dimensional drawing

HC-B 24-TFL-N-O1STM32S - Housing



1460192

<https://www.phoenixcontact.com/us/products/1460192>

Classifications

ECLASS

ECLASS-13.0	27440202
ECLASS-15.0	27440202

UNSPSC

UNSPSC 21.0	31261501
-------------	----------

HC-B 24-TFL-N-O1STM32S - Housing



1460192

<https://www.phoenixcontact.com/us/products/1460192>

Environmental product compliance

China RoHS

Environment friendly use period (EFUP)	EFUP-E
	No hazardous substances above the limits

EU REACH SVHC

REACH candidate substance (CAS No.)	No substance above 0.1 wt%
-------------------------------------	----------------------------

Phoenix Contact 2026 © - all rights reserved
<https://www.phoenixcontact.com>

Phoenix Contact USA
586 Fulling Mill Road
Middletown, PA 17057, United States
(+717) 944-1300
info@phoenixcon.com