

HC-B 32-TFQ-80/O1PG42S - Housing



1460180

<https://www.phoenixcontact.com/us/products/1460180>

Please be informed that the data shown in this PDF document is generated from our online catalog. Please find the complete data in the user documentation. Our general terms of use for downloads are valid.



HEAVYCON B32 sleeve housing, for double locking latch, height: 80 mm, with 1 x Pg42 gland, lateral cable outlet

Commercial data

Item number	1460180
Packing unit	10 pc
Minimum order quantity	1 pc
Product key	AF7AAC
GTIN	4046356696524
Weight per piece (including packing)	22.22 g
Weight per piece (excluding packing)	22.22 g
Country of origin	DE

HC-B 32-TFQ-80/O1PG42S - Housing

1460180

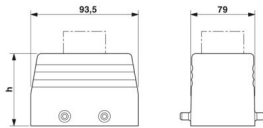
<https://www.phoenixcontact.com/us/products/1460180>

Technical data

Product properties

Product type	Housing with locking latch
Housing type	Sleeve housing
Type	B32
Cable outlet	lateral
Pg screw connection	none

Dimensions

Dimensional drawing	
Width	79 mm
Height	80 mm
Length	94 mm

Material specifications

Housing material	Die-cast aluminum
Housing surface material	Powder-coated, gray

Environmental and real-life conditions

Ambient conditions

Degree of protection	IP65
Ambient temperature (operation)	-40 °C ... 125 °C

HC-B 32-TFQ-80/O1PG42S - Housing

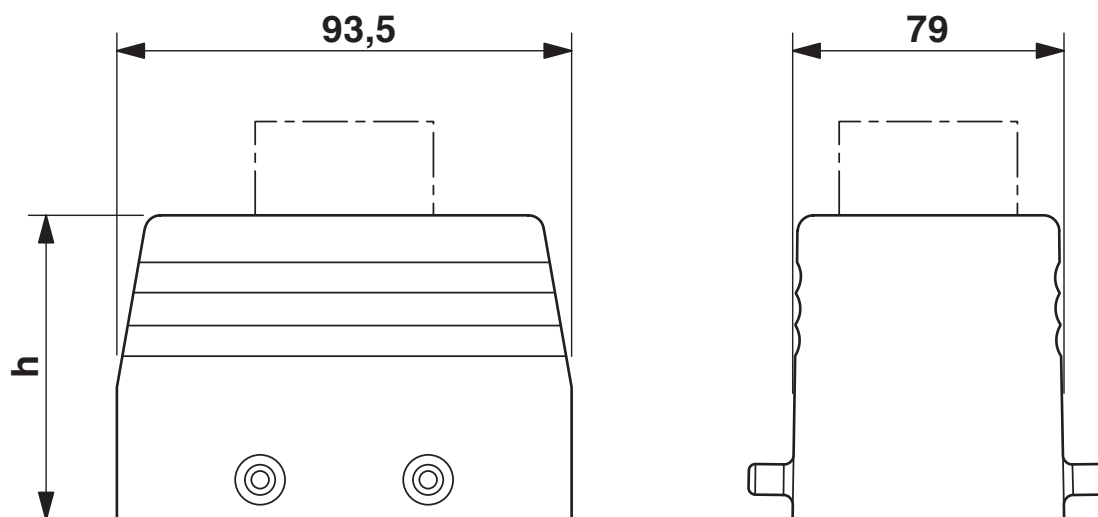


1460180

<https://www.phoenixcontact.com/us/products/1460180>

Drawings

Dimensional drawing



HC-B 32-TFQ-80/O1PG42S - Housing



1460180

<https://www.phoenixcontact.com/us/products/1460180>

Classifications

ECLASS

ECLASS-13.0	27440202
ECLASS-15.0	27440202

HC-B 32-TFQ-80/O1PG42S - Housing



1460180

<https://www.phoenixcontact.com/us/products/1460180>

Environmental product compliance

EU RoHS

Fulfills EU RoHS substance requirements	Yes, No exemptions
---	--------------------

China RoHS

Environment friendly use period (EFUP)	EFUP-E
	No hazardous substances above the limits

EU REACH SVHC

REACH candidate substance (CAS No.)	No substance above 0.1 wt%
-------------------------------------	----------------------------

Phoenix Contact 2026 © - all rights reserved
<https://www.phoenixcontact.com>

Phoenix Contact USA
586 Fulling Mill Road
Middletown, PA 17057, United States
(+717) 944-1300
info@phoenixcon.com