

# HC-B 16-TMQ-H-O1M25S - Housing

1460176

<https://www.phoenixcontact.com/us/products/1460176>

Please be informed that the data shown in this PDF document is generated from our online catalog. Please find the complete data in the user documentation. Our general terms of use for downloads are valid.



HEAVYCON B16 sleeve housing, with double locking latch, height: 72 mm, with 1 x M25 gland, lateral cable outlet

## Commercial data

Item number	1460176
Packing unit	1 pc
Note	Made to order (non-returnable)
Sales key	BF55
Product key	AF7AAC
GTIN	4046356794046
Weight per piece (including packing)	265.25 g
Weight per piece (excluding packing)	265.25 g
Customs tariff number	85389099
Country of origin	DE

# HC-B 16-TMQ-H-O1M25S - Housing

1460176

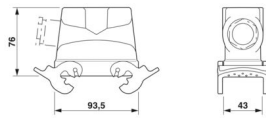
<https://www.phoenixcontact.com/us/products/1460176>

## Technical data

### Product properties

Product type	Housing with locking latch
Housing type	Sleeve housing
Type	B16
No. of cable outlets	1
Type of the screw connection	1x M25
Cable outlet	lateral
Pg screw connection	none

### Dimensions

Dimensional drawing	
Width	43 mm
Height	76 mm
Length	93.5 mm

### Material specifications

Housing material	Die-cast aluminum
Housing surface material	Powder-coated, gray
Locking latch material	Stainless steel, handle: PA

### Mechanical properties

#### Mechanical data

Type of the screw connection	1x M25
------------------------------	--------

### Mounting

Assembly note	For half and full screw connections
---------------	-------------------------------------

### Environmental and real-life conditions

#### Ambient conditions

Degree of protection	IP65
Ambient temperature (operation)	-40 °C ... 125 °C

# HC-B 16-TMQ-H-O1M25S - Housing

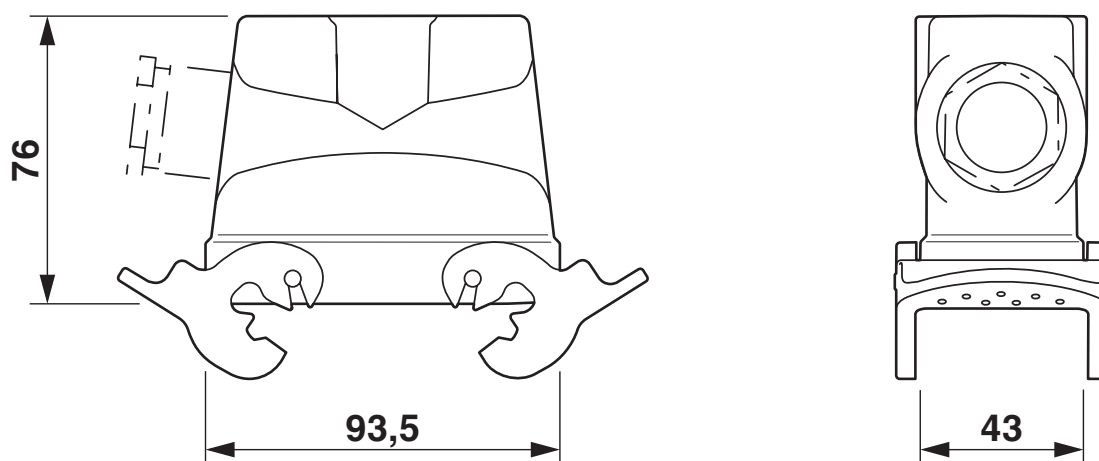
1460176

<https://www.phoenixcontact.com/us/products/1460176>



## Drawings

Dimensional drawing



Dimensional drawing

# HC-B 16-TMQ-H-O1M25S - Housing



1460176

<https://www.phoenixcontact.com/us/products/1460176>

## Approvals

To download certificates, visit the product detail page: <https://www.phoenixcontact.com/us/products/1460176>



**EAC**

Approval ID: RU C-DE.AI30.B.01102

# HC-B 16-TMQ-H-O1M25S - Housing



1460176

<https://www.phoenixcontact.com/us/products/1460176>

## Classifications

### ECLASS

ECLASS-13.0	27440202
ECLASS-15.0	27440202

# HC-B 16-TMQ-H-O1M25S - Housing



1460176

<https://www.phoenixcontact.com/us/products/1460176>

## Environmental product compliance

### China RoHS

Environment friendly use period (EFUP)	EFUP-E
	No hazardous substances above the limits

### EU REACH SVHC

REACH candidate substance (CAS No.)	No substance above 0.1 wt%
-------------------------------------	----------------------------

Phoenix Contact 2026 © - all rights reserved  
<https://www.phoenixcontact.com>

Phoenix Contact USA  
586 Fulling Mill Road  
Middletown, PA 17057, United States  
(+717) 944-1300  
[info@phoenixcon.com](mailto:info@phoenixcon.com)