

# HC-B 16-KMQ-N-O1STM32 - Housing



1460093

<https://www.phoenixcontact.com/us/products/1460093>

Please be informed that the data shown in this PDF document is generated from our online catalog. Please find the complete data in the user documentation. Our general terms of use for downloads are valid.



HEAVYCON B16 coupling housing, with double locking latch, height: 70.5 mm, with 1 x M32 thread, straight cable outlet

## Commercial data

Item number	1460093
Packing unit	1 pc
Note	Made to order (non-returnable)
Sales key	BF55
Product key	AF7AAC
GTIN	4046356695824
Weight per piece (including packing)	228.85 g
Weight per piece (excluding packing)	22.22 g
Customs tariff number	85389099
Country of origin	DE

# HC-B 16-KMQ-N-O1STM32 - Housing

1460093

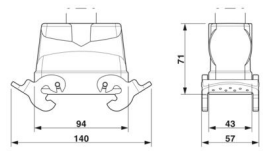
<https://www.phoenixcontact.com/us/products/1460093>

## Technical data

### Product properties

Product type	Housing with locking latch
Housing type	Coupling housings
Application	Standard
Type	B16
No. of cable outlets	1
Type of the screw connection	1x M32
Shielded	no
Cable outlet	straight
Pg screw connection	none

### Dimensions

Dimensional drawing	
Width	43 mm
Height	70.5 mm
Length	94 mm

### Material specifications

Seal material	NBR
Housing material	Die-cast aluminum
Housing surface material	Powder-coated, gray
Locking latch material	High-grade steel, handle: PA-GF

### Mechanical properties

#### Mechanical data

Type of the screw connection	1x M32
Locking type	Latch

### Environmental and real-life conditions

#### Ambient conditions

Degree of protection	IP65
Ambient temperature (operation)	-40 °C ... 125 °C

# HC-B 16-KMQ-N-O1STM32 - Housing

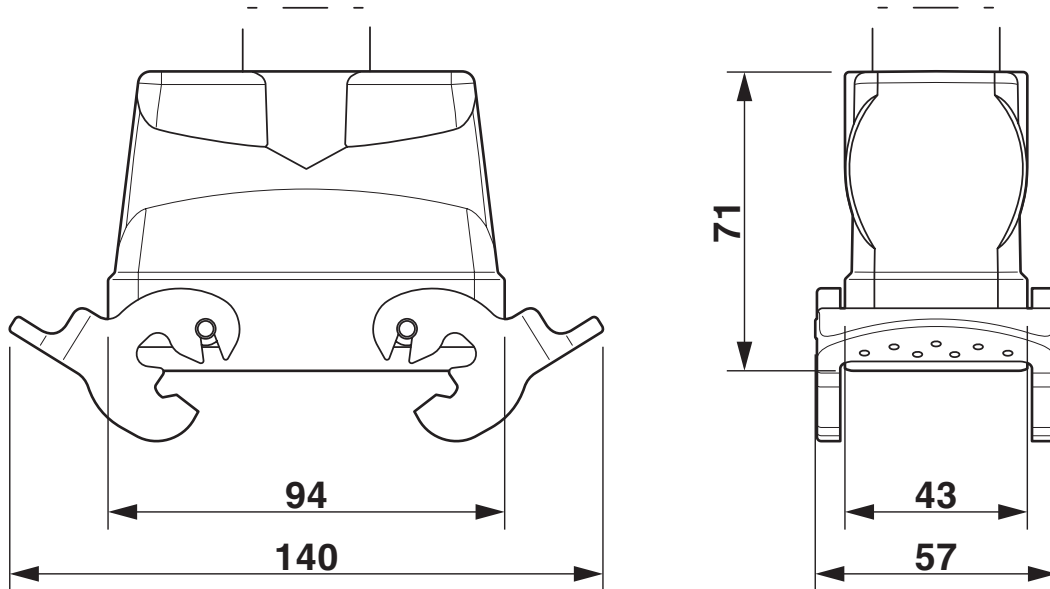
1460093

<https://www.phoenixcontact.com/us/products/1460093>



## Drawings

Dimensional drawing



Dimensional drawing

# HC-B 16-KMQ-N-O1STM32 - Housing



1460093

<https://www.phoenixcontact.com/us/products/1460093>

## Classifications

### ECLASS

ECLASS-13.0	27440202
ECLASS-15.0	27440202

### UNSPSC

UNSPSC 21.0	31261501
-------------	----------

# HC-B 16-KMQ-N-O1STM32 - Housing



1460093

<https://www.phoenixcontact.com/us/products/1460093>

## Environmental product compliance

### China RoHS

Environment friendly use period (EFUP)	EFUP-E
	No hazardous substances above the limits

### EU REACH SVHC

REACH candidate substance (CAS No.)	No substance above 0.1 wt%
-------------------------------------	----------------------------

Phoenix Contact 2026 © - all rights reserved  
<https://www.phoenixcontact.com>

Phoenix Contact USA  
586 Fulling Mill Road  
Middletown, PA 17057, United States  
(+717) 944-1300  
[info@phoenixcon.com](mailto:info@phoenixcon.com)