

HC-B 10-TFQ-H-O1PG21G - Housing

1460074

<https://www.phoenixcontact.com/us/products/1460074>

Please be informed that the data shown in this PDF document is generated from our online catalog. Please find the complete data in the user documentation. Our general terms of use for downloads are valid.



HEAVYCON B10 sleeve housing, for double locking latch, height: 72 mm, with 1 x Pg21 gland, straight cable outlet

Commercial data

| | |
|--------------------------------------|--------------------------------|
| Item number | 1460074 |
| Packing unit | 1 pc |
| Note | Made to order (non-returnable) |
| Sales key | BF55 |
| Product key | AF7AAC |
| GTIN | 4046356695558 |
| Weight per piece (including packing) | 190.93 g |
| Weight per piece (excluding packing) | 190.93 g |
| Customs tariff number | 85389099 |
| Country of origin | DE |

HC-B 10-TFQ-H-O1PG21G - Housing

1460074

<https://www.phoenixcontact.com/us/products/1460074>

Technical data

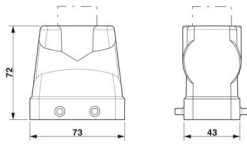
Notes

| | |
|---------|--|
| General | For contact inserts HC-B10, BB18, DD42, M, K8/24 |
|---------|--|

Product properties

| | |
|------------------------------|----------------------------|
| Product type | Housing with locking latch |
| Housing type | Sleeve housing |
| Application | Standard |
| Type | B10 |
| No. of cable outlets | 1 |
| Type of the screw connection | 1x Pg21 |
| Shielded | no |
| Cable outlet | straight |
| Pg screw connection | none |

Dimensions

| | |
|---------------------|--|
| Dimensional drawing |  |
| Width | 43 mm |
| Height | 72 mm |
| Length | 73 mm |

Material specifications

| | |
|--------------------------|---------------------|
| Housing material | Die-cast aluminum |
| Housing surface material | Powder-coated, gray |

Mechanical properties

Mechanical data

| | |
|------------------------------|---------|
| Type of the screw connection | 1x Pg21 |
| Locking type | Pin |

Mounting

| | |
|---------------|-------------------------------------|
| Assembly note | For half and full screw connections |
|---------------|-------------------------------------|

Environmental and real-life conditions

Ambient conditions

| | |
|---------------------------------|-------------------|
| Degree of protection | IP65 |
| Ambient temperature (operation) | -40 °C ... 125 °C |

HC-B 10-TFQ-H-O1PG21G - Housing

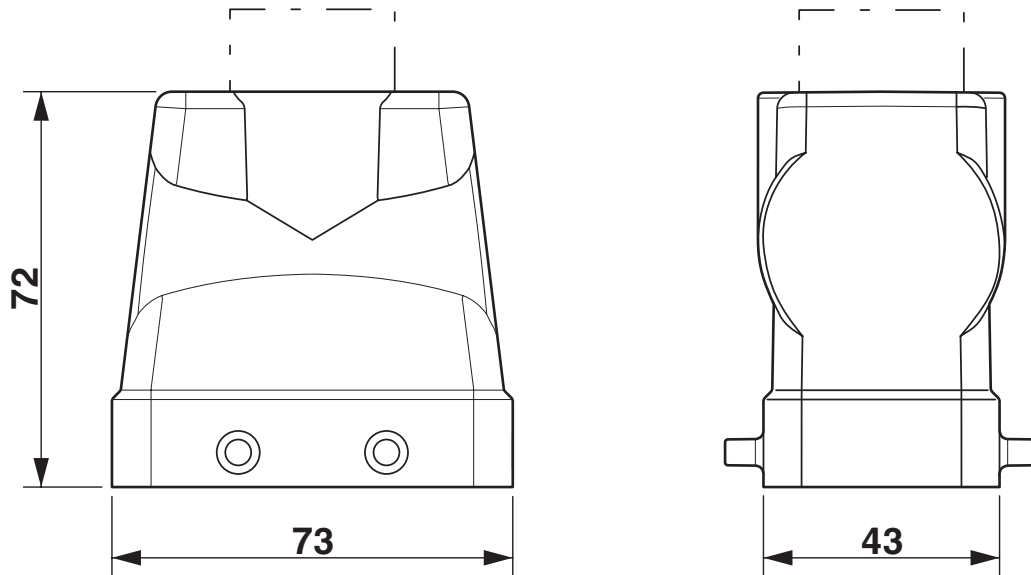


1460074

<https://www.phoenixcontact.com/us/products/1460074>

Drawings

Dimensional drawing



Dimensional drawing

HC-B 10-TFQ-H-O1PG21G - Housing



1460074

<https://www.phoenixcontact.com/us/products/1460074>

Classifications

ECLASS

| | |
|-------------|----------|
| ECLASS-13.0 | 27440202 |
| ECLASS-15.0 | 27440202 |

UNSPSC

| | |
|-------------|----------|
| UNSPSC 21.0 | 31261501 |
|-------------|----------|

HC-B 10-TFQ-H-O1PG21G - Housing



1460074

<https://www.phoenixcontact.com/us/products/1460074>

Environmental product compliance

EU RoHS

| | |
|---|--------------------|
| Fulfills EU RoHS substance requirements | Yes, No exemptions |
|---|--------------------|

China RoHS

| | |
|--|--|
| Environment friendly use period (EFUP) | EFUP-E |
| | No hazardous substances above the limits |

EU REACH SVHC

| | |
|-------------------------------------|----------------------------|
| REACH candidate substance (CAS No.) | No substance above 0.1 wt% |
|-------------------------------------|----------------------------|

Phoenix Contact 2026 © - all rights reserved
<https://www.phoenixcontact.com>

Phoenix Contact USA
586 Fulling Mill Road
Middletown, PA 17057, United States
(+717) 944-1300
info@phoenixcon.com