

# HC-B 10-TFL-N-M1PG16G - Housing



1460033

<https://www.phoenixcontact.com/us/products/1460033>

Please be informed that the data shown in this PDF document is generated from our online catalog. Please find the complete data in the user documentation. Our general terms of use for downloads are valid.



Sleeve housing, for single locking latch, height: 56 mm, with screw connection, 1 x Pg16, straight cable outlet

## Commercial data

Item number	1460033
Packing unit	1 pc
Note	Made to order (non-returnable)
Sales key	BF55
Product key	AF7AAC
GTIN	4046356793179
Weight per piece (including packing)	179.82 g
Weight per piece (excluding packing)	173.85 g
Customs tariff number	85389099
Country of origin	DE

# HC-B 10-TFL-N-M1PG16G - Housing

1460033

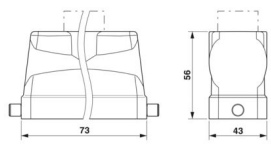
<https://www.phoenixcontact.com/us/products/1460033>

## Technical data

### Product properties

Product type	Housing with locking latch
Housing type	Sleeve housing
Application	Standard
Type	B10
No. of cable outlets	1
Type of the screw connection	1x Pg16
Cable outlet	straight
Pg screw connection	with

### Dimensions

Dimensional drawing	
Width	43 mm
Height	56 mm
Length	73 mm
Wrench size, union nut	22 mm

### Material specifications

Material Screw connection	Brass, nickel-plated
Seal material Cable seal	NBR
Housing material	Die-cast aluminum
Housing surface material	Powder-coated, gray

### Mechanical properties

#### Mechanical data

Type of the screw connection	1x Pg16
------------------------------	---------

### Cable/line

External cable diameter	7.5 mm ... 15 mm
-------------------------	------------------

### Connection data

External cable diameter	7.5 mm ... 15 mm
-------------------------	------------------

### Environmental and real-life conditions

#### Ambient conditions

Degree of protection	IP65
Ambient temperature (operation)	-40 °C ... 125 °C

# HC-B 10-TFL-N-M1PG16G - Housing

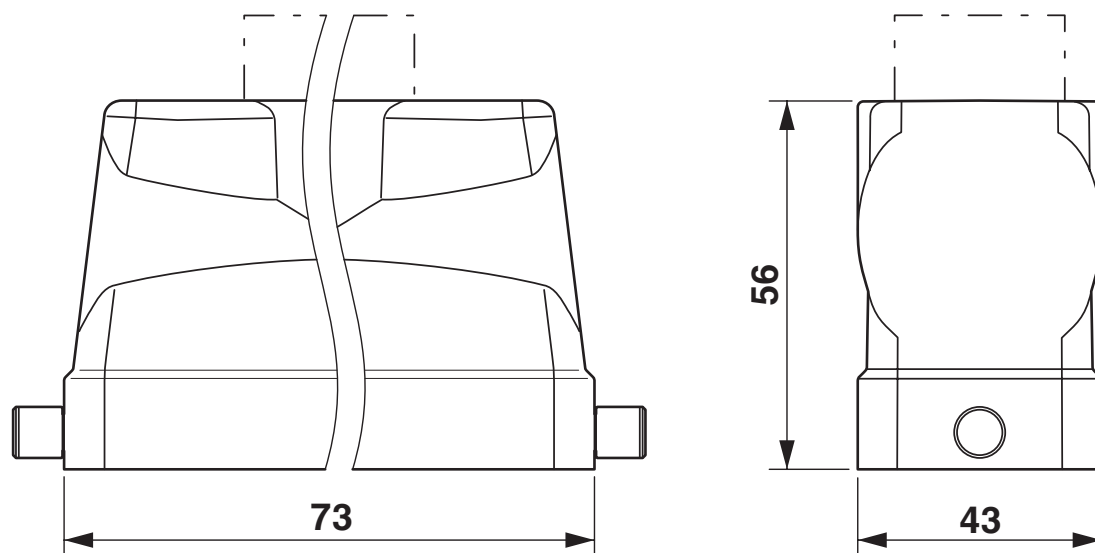
1460033

<https://www.phoenixcontact.com/us/products/1460033>



## Drawings

Dimensional drawing



Dimensional drawing

# HC-B 10-TFL-N-M1PG16G - Housing



1460033

<https://www.phoenixcontact.com/us/products/1460033>

## Classifications

### ECLASS

ECLASS-13.0	27440202
ECLASS-15.0	27440202

### UNSPSC

UNSPSC 21.0	31261501
-------------	----------

# HC-B 10-TFL-N-M1PG16G - Housing



1460033

<https://www.phoenixcontact.com/us/products/1460033>

## Environmental product compliance

### China RoHS

Environment friendly use period (EFUP)	EFUP-E
	No hazardous substances above the limits

### EU REACH SVHC

REACH candidate substance (CAS No.)	No substance above 0.1 wt%
-------------------------------------	----------------------------

Phoenix Contact 2026 © - all rights reserved  
<https://www.phoenixcontact.com>

Phoenix Contact USA  
586 Fulling Mill Road  
Middletown, PA 17057, United States  
(+717) 944-1300  
[info@phoenixcon.com](mailto:info@phoenixcon.com)