

# SAC-3P-MR/BI-1L-Z SCO - Valve connector



1458570

<https://www.phoenixcontact.com/us/products/1458570>

Please be informed that the data shown in this PDF document is generated from our online catalog. Please find the complete data in the user documentation. Our general terms of use for downloads are valid.



Valve connector, 3-position, Plug angled M12, coding: A, on Valve connector BI (11 mm), with 1 LED, Wiring: Z diode

## Commercial data

|                                      |               |
|--------------------------------------|---------------|
| Item number                          | 1458570       |
| Packing unit                         | 1 pc          |
| Minimum order quantity               | 1 pc          |
| Sales key                            | BF10          |
| Product key                          | AF1GDA        |
| GTIN                                 | 4046356639026 |
| Weight per piece (including packing) | 26 g          |
| Weight per piece (excluding packing) | 25.4 g        |
| Customs tariff number                | 85366990      |
| Country of origin                    | PL            |

# SAC-3P-MR/BI-1L-Z SCO - Valve connector

1458570

<https://www.phoenixcontact.com/us/products/1458570>

## Technical data

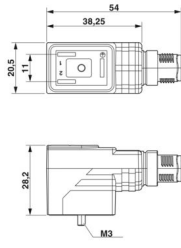
### Product properties

|                      |                         |
|----------------------|-------------------------|
| Product type         | Valve connector adapter |
| Number of positions  | 3                       |
| No. of cable outlets | 1                       |
| Coding               | A                       |

### Insulation characteristics

|                      |    |
|----------------------|----|
| Overvoltage category | II |
| Degree of pollution  | 3  |

### Dimensions

|                     |   |
|---------------------|---|
| Dimensional drawing |  |
| Width               | 20 mm   |
| Height              | 28.2 mm   |
| Length              | 54 mm   |

### Connection data

|                   |                          |
|-------------------|--------------------------|
| Connection method | M12 connector            |
| Tightening torque | 0.6 Nm (Valve connector) |

### Electrical properties

|                       |                            |
|-----------------------|----------------------------|
| Insulation resistance | $\geq 100 \text{ M}\Omega$ |
| Nominal voltage $U_N$ | 24 V AC                    |
|                       | 24 V DC                    |
| Nominal current $I_N$ | 4 A                        |

### Valve connector characteristics

|                  |   |
|------------------|---|
| Fixing screws    | M3 x 29                                       |
| Pulse power      | 40 W (at 100 $\mu\text{s}$ square-wave pulse) |
| Terminal voltage | 70 V (at 2 mA constant current)               |
| Reverse voltage  | 50 V  |

### Mechanical properties

#### Mechanical data

|                             |                      |
|-----------------------------|----------------------|
| Insertion/withdrawal cycles | 50 (Valve connector) |
|-----------------------------|----------------------|

# SAC-3P-MR/BI-1L-Z SCO - Valve connector



1458570

<https://www.phoenixcontact.com/us/products/1458570>

≥ 100 (M12 connector)

## Material specifications

|  |                              |
|--|------------------------------|
| Flammability rating according to UL 94 | HB                           |
| Seal material                          | TPU                          |
| Material housing valve plug            | TPU                          |
| Contact material                       | CuSn                         |
| Contact surface material               | Ni/Au                        |
| Contact carrier material               | PA 66                        |
| Contact material                       | CuSn                         |
| Valve plug contact insert material     | PA 6.6                       |
| Contact surface material               | Sn                           |
| Material for screw connection          | Zinc die-cast, nickel-plated |

## Signaling

|                        |              |
|------------------------|--------------|
| Status display         | LED (yellow) |
| Status display present | yes          |

## Connector

### Connection 1

|                     |                 |
|---------------------|-----------------|
| Type                | Plug angled M12 |
| Number of positions | 3               |
| Coding type         | A               |

### Connection 2

|                     |   |
|---------------------|---|
| Type                | Valve connector BI (11 mm)  |
| Number of positions | 3   |
| Material            | CuSn (Contact)<br>Sn (Contact surface)<br>PA 6.6 (Contact carrier)<br>TPU (Housing) |
| Protective circuit  | Z diode   |

## Environmental and real-life conditions

### Ambient conditions

|   |                                    |
|---|------------------------------------|
| Degree of protection                              | IP65<br>IP67                       |
| Ambient temperature (operation) (Valve connector) | -25 °C ... 85 °C (Valve connector) |

## Standards and regulations

### M12

|                          |                 |
|--------------------------|-----------------|
| Standard designation     | M12 connector   |
| Standards/specifications | IEC 61076-2-101 |

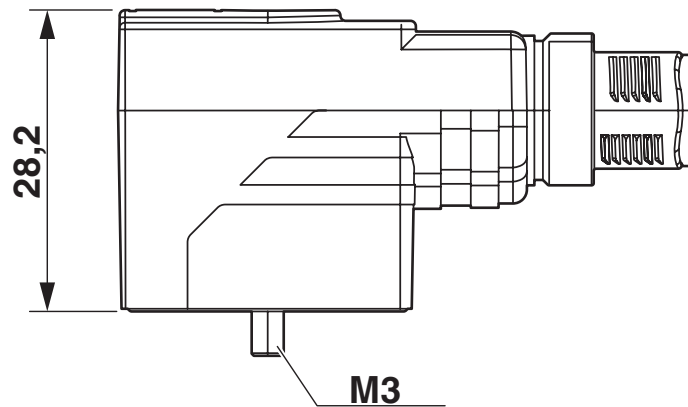
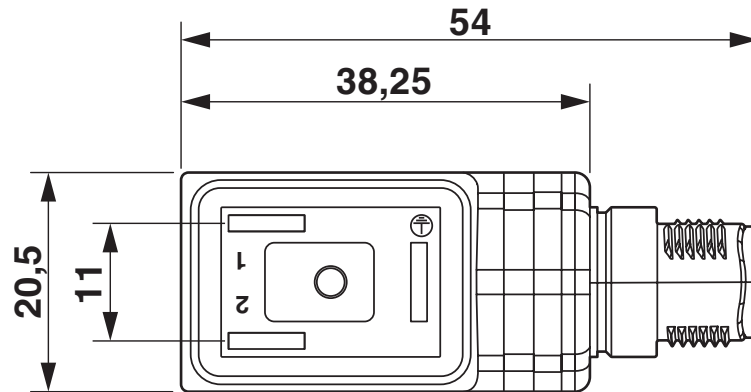
# SAC-3P-MR/BI-1L-Z SCO - Valve connector

1458570

<https://www.phoenixcontact.com/us/products/1458570>

## Drawings

Dimensional drawing



# SAC-3P-MR/BI-1L-Z SCO - Valve connector

1458570

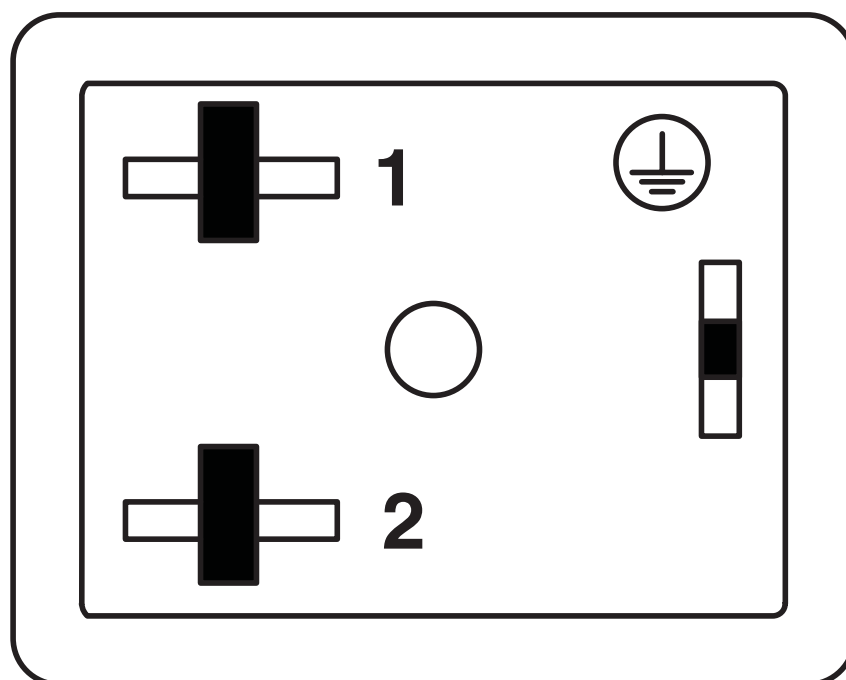
<https://www.phoenixcontact.com/us/products/1458570>

Schematic diagram



Pin assignment M12 plug, 3-pos., A-coded, view male side

Schematic diagram



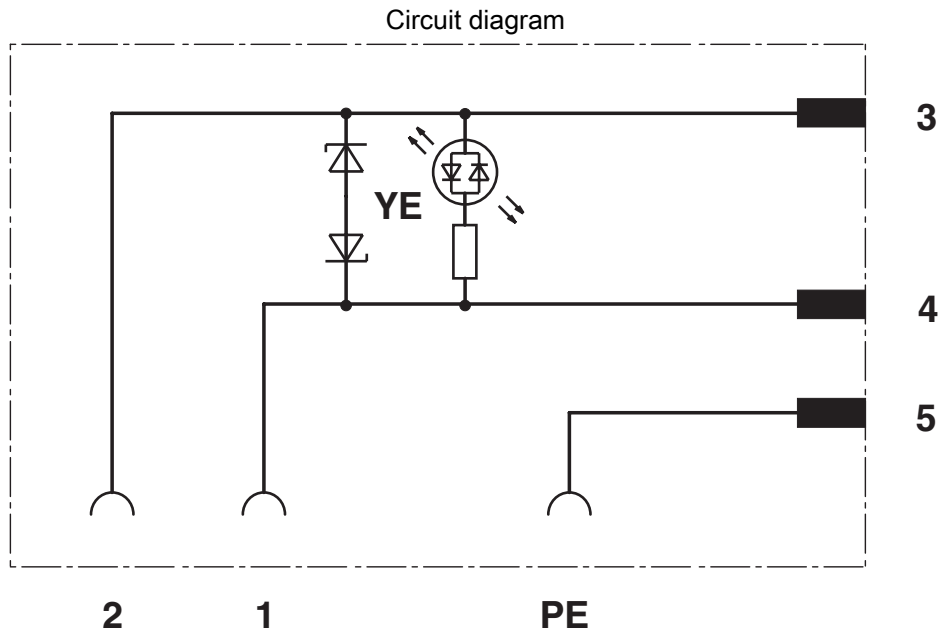
Valve connector pin assignment, type BI

# SAC-3P-MR/BI-1L-Z SCO - Valve connector



1458570

<https://www.phoenixcontact.com/us/products/1458570>



# SAC-3P-MR/BI-1L-Z SCO - Valve connector



1458570

<https://www.phoenixcontact.com/us/products/1458570>

## Approvals

To download certificates, visit the product detail page: <https://www.phoenixcontact.com/us/products/1458570>

### DNV

Approval ID: TAE00002K4



### EAC

Approval ID: RU C-DE.AI30.B.01102



### CSAus

Approval ID: 13631

|       | Nominal voltage $U_N$ | Nominal current $I_N$ | Cross section AWG | Cross section $\text{mm}^2$ |
|-------|-----------------------|-----------------------|-------------------|-----------------------------|
| keine |                       |                       |                   |                             |
|       | 24 V                  | 4 A                   | -                 | -                           |

# SAC-3P-MR/BI-1L-Z SCO - Valve connector



1458570

<https://www.phoenixcontact.com/us/products/1458570>

## Classifications

### ECLASS

|             |          |
|-------------|----------|
| ECLASS-13.0 | 27440105 |
| ECLASS-15.0 | 27440105 |

### ETIM

|           |          |
|-----------|----------|
| ETIM 10.0 | EC003623 |
|-----------|----------|

### UNSPSC

|             |          |
|-------------|----------|
| UNSPSC 21.0 | 31251500 |
|-------------|----------|

# SAC-3P-MR/BI-1L-Z SCO - Valve connector



1458570

<https://www.phoenixcontact.com/us/products/1458570>

## Environmental product compliance

### EU RoHS

|   |        |
|---|--------|
| Fulfills EU RoHS substance requirements | Yes    |
| Exemption                               | 7(c)-I |

### China RoHS

|  |   |
|--|---|
| Environment friendly use period (EFUP) | EFUP-50   |
|  | An article-related China RoHS declaration table can be found in the download area for the respective article under "Manufacturer declaration". For all articles with EFUP-E, no China RoHS declaration table issued and required. |

### EU REACH SVHC

|                                     |  |
|-------------------------------------|--|
| REACH candidate substance (CAS No.) | Diboron trioxide(CAS: 1303-86-2)           |
|                                     | Lead monoxide (lead oxide)(CAS: 1317-36-8) |
| SCIP                                | 2112499f-6585-4a66-b5d7-0866e1b8d031       |

### EF3.1 Climate Change

|         |               |
|---------|---------------|
| CO2e kg | 0.756 kg CO2e |
|---------|---------------|

Phoenix Contact 2026 © - all rights reserved  
<https://www.phoenixcontact.com>

Phoenix Contact USA  
586 Fulling Mill Road  
Middletown, PA 17057, United States  
(+717) 944-1300  
[info@phoenixcon.com](mailto:info@phoenixcon.com)