

SAC-3P-MR/A-1L-Z SCO - Valve connector



1458538

<https://www.phoenixcontact.com/us/products/1458538>

Please be informed that the data shown in this PDF document is generated from our online catalog. Please find the complete data in the user documentation. Our general terms of use for downloads are valid.



Valve connector, 3-position, Plug angled M12 SPEEDCON, coding: A, on Valve connector A, with 1 LED, Wiring: Z diode

Commercial data

| | |
|--------------------------------------|---------------|
| Item number | 1458538 |
| Packing unit | 1 pc |
| Minimum order quantity | 1 pc |
| Sales key | BF10 |
| Product key | AF1GDA |
| GTIN | 4046356638982 |
| Weight per piece (including packing) | 30 g |
| Weight per piece (excluding packing) | 30.7 g |
| Customs tariff number | 85366990 |
| Country of origin | PL |

SAC-3P-MR/A-1L-Z SCO - Valve connector

1458538

<https://www.phoenixcontact.com/us/products/1458538>

Technical data

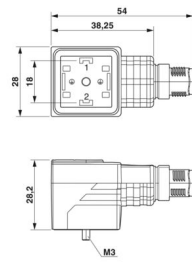
Product properties

| | |
|----------------------|-------------------------|
| Product type | Valve connector adapter |
| Number of positions | 3 |
| No. of cable outlets | 1 |
| Coding | A |

Insulation characteristics

| | |
|----------------------|----|
| Overvoltage category | II |
| Degree of pollution | 3 |

Dimensions

| | |
|---------------------|---|
| Dimensional drawing |  |
| Width | 28 mm |
| Height | 28.2 mm |
| Length | 54 mm |

Connection data

| | |
|-------------------|--------------------------|
| Connection method | M12 connector |
| Tightening torque | 0.6 Nm (Valve connector) |

Electrical properties

| | |
|-----------------------|----------------------------|
| Insulation resistance | $\geq 100 \text{ M}\Omega$ |
| Nominal voltage U_N | 24 V AC |
| | 24 V DC |
| Nominal current I_N | 4 A |

Valve connector characteristics

| | |
|------------------|---|
| Fixing screws | M3 x 29 |
| Pulse power | 40 W (at 100 μs square-wave pulse) |
| Terminal voltage | 70 V (at 2 mA constant current) |
| Reverse voltage | 50 V |

Mechanical properties

Mechanical data

| | |
|-----------------------------|----------------------|
| Insertion/withdrawal cycles | 50 (Valve connector) |
|-----------------------------|----------------------|

SAC-3P-MR/A-1L-Z SCO - Valve connector



1458538

<https://www.phoenixcontact.com/us/products/1458538>

≥ 100 (M12 connector)

Material specifications

| | |
|--|------------------------------|
| Flammability rating according to UL 94 | HB |
| Seal material | TPU |
| Material housing valve plug | TPU |
| Contact material | CuSn |
| Contact surface material | Ni/Au |
| Contact carrier material | PA 66 |
| Contact material | CuSn |
| Valve plug contact insert material | PA 6.6 |
| Contact surface material | Sn |
| Material for screw connection | Zinc die-cast, nickel-plated |

Signaling

| | |
|------------------------|--------------|
| Status display | LED (yellow) |
| Status display present | yes |

Connector

Connection 1

| | |
|---------------------|--------------------------|
| Type | Plug angled M12 SPEEDCON |
| Number of positions | 3 |
| Locking type | SPEEDCON |
| Coding type | A |

Connection 2

| | |
|--------------------|--------------------------|
| Type | Valve connector A |
| Material | CuSn (Contact) |
| | Sn (Contact surface) |
| | PA 6.6 (Contact carrier) |
| | TPU (Housing) |
| Protective circuit | Z diode |

Environmental and real-life conditions

Ambient conditions

| | |
|---|------------------------------------|
| Degree of protection | IP65 |
| | IP67 |
| Ambient temperature (operation) (Valve connector) | -25 °C ... 85 °C (Valve connector) |

Standards and regulations

M12

| | |
|--------------------------|-----------------|
| Standard designation | M12 connector |
| Standards/specifications | IEC 61076-2-101 |

SAC-3P-MR/A-1L-Z SCO - Valve connector



1458538

<https://www.phoenixcontact.com/us/products/1458538>

Valve connector

| | |
|--------------------------|-----------------|
| Standard designation | Valve connector |
| Standards/specifications | EN 175301-803 |

SAC-3P-MR/A-1L-Z SCO - Valve connector

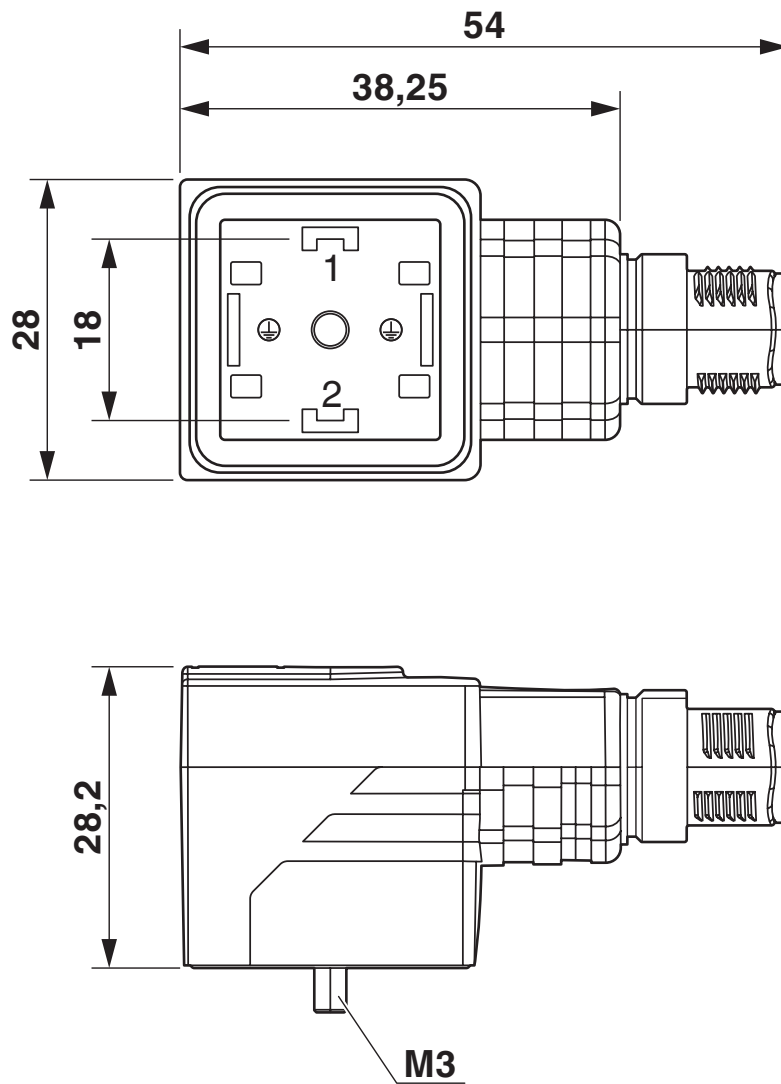


1458538

<https://www.phoenixcontact.com/us/products/1458538>

Drawings

Dimensional drawing

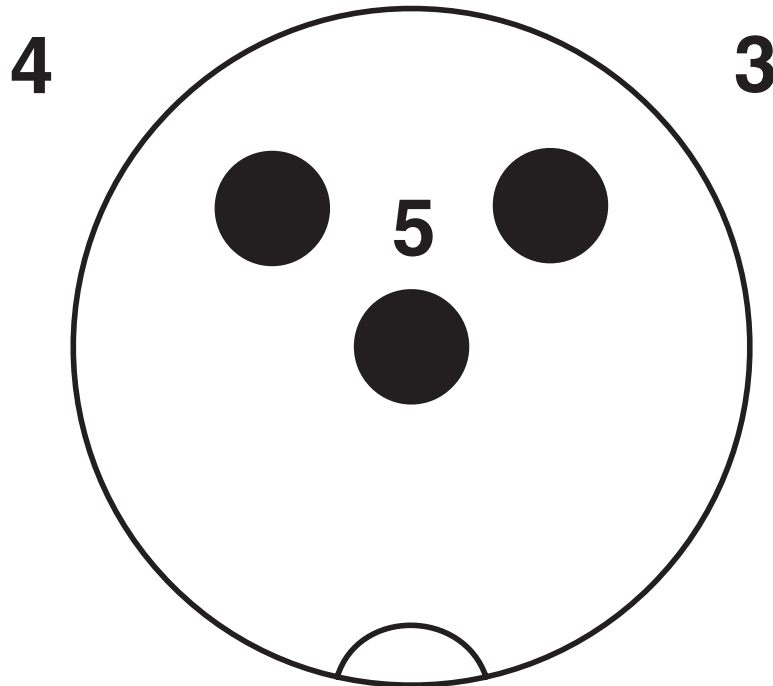


SAC-3P-MR/A-1L-Z SCO - Valve connector

1458538

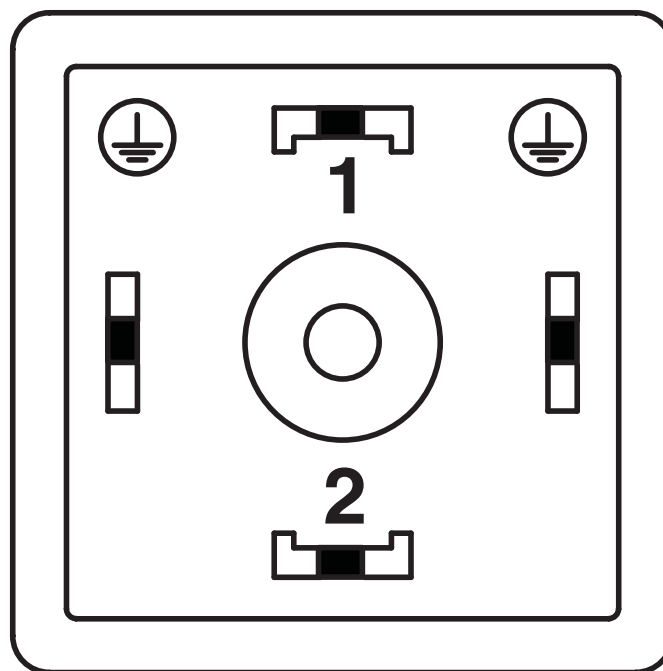
<https://www.phoenixcontact.com/us/products/1458538>

Schematic diagram



Pin assignment M12 plug, 3-pos., A-coded, view male side

Schematic diagram



Valve connector pin assignment, type A

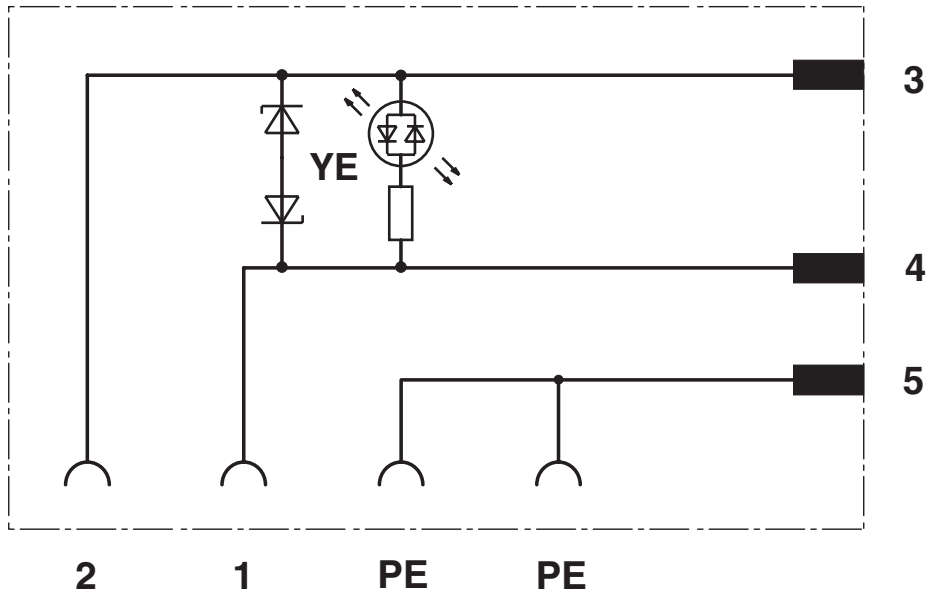
SAC-3P-MR/A-1L-Z SCO - Valve connector

1458538

<https://www.phoenixcontact.com/us/products/1458538>



Circuit diagram



SAC-3P-MR/A-1L-Z SCO - Valve connector



1458538

<https://www.phoenixcontact.com/us/products/1458538>

Approvals

🔗 To download certificates, visit the product detail page: <https://www.phoenixcontact.com/us/products/1458538>

DNV

Approval ID: TAE00002K4

ENEC

EAC

Approval ID: RU C-DE.AI30.B.01102

SAC-3P-MR/A-1L-Z SCO - Valve connector



1458538

<https://www.phoenixcontact.com/us/products/1458538>

Classifications

ECLASS

| | |
|-------------|----------|
| ECLASS-13.0 | 27440105 |
| ECLASS-15.0 | 27440105 |

ETIM

| | |
|-----------|----------|
| ETIM 10.0 | EC003623 |
|-----------|----------|

UNSPSC

| | |
|-------------|----------|
| UNSPSC 21.0 | 31251500 |
|-------------|----------|

SAC-3P-MR/A-1L-Z SCO - Valve connector



1458538

<https://www.phoenixcontact.com/us/products/1458538>

Environmental product compliance

EU RoHS

| | |
|---|--------|
| Fulfills EU RoHS substance requirements | Yes |
| Exemption | 7(c)-I |

China RoHS

| | |
|--|---|
| Environment friendly use period (EFUP) | EFUP-50 |
| | An article-related China RoHS declaration table can be found in the download area for the respective article under "Manufacturer declaration". For all articles with EFUP-E, no China RoHS declaration table issued and required. |

EU REACH SVHC

| | |
|-------------------------------------|--|
| REACH candidate substance (CAS No.) | Diboron trioxide(CAS: 1303-86-2) |
| | Lead monoxide (lead oxide)(CAS: 1317-36-8) |
| SCIP | f94a1fbb-1d79-4aec-bedb-3dba08da1bca |

EF3.1 Climate Change

| | |
|---------|---------------|
| CO2e kg | 0.798 kg CO2e |
|---------|---------------|

Phoenix Contact 2026 © - all rights reserved
<https://www.phoenixcontact.com>

Phoenix Contact USA
586 Fulling Mill Road
Middletown, PA 17057, United States
(+717) 944-1300
info@phoenixcon.com