

SACC-DSI-FS-4CON-L180/SH YE - Device connector rear mounting



1457885

<https://www.phoenixcontact.com/us/products/1457885>

Please be informed that the data shown in this PDF document is generated from our online catalog. Please find the complete data in the user documentation. Our general terms of use for downloads are valid.



Bus system flush-type socket, with yellow contact carrier, 4-pos., M12 SPEEDCON, shielded, A-coded, rear/screw mounting with M16 thread, with straight solder connection

Your advantages

- Easy PCB assembly: one-piece connectors for wave soldering
- All standard pin assignments and codings for signal, data, and power transmission with a uniform design-in design
- For high transmission reliability: optional shield connection to the housing by means of shield contact

Commercial data

Item number	1457885
Packing unit	1 pc
Note	Made to order (non-returnable)
Sales key	AB23
Product key	ABQYAA
GTIN	4046356617161
Weight per piece (including packing)	14.41 g
Weight per piece (excluding packing)	14.41 g
Customs tariff number	85366990
Country of origin	DE

SACC-DSI-FS-4CON-L180/SH YE - Device connector rear mounting

1457885

<https://www.phoenixcontact.com/us/products/1457885>

Technical data

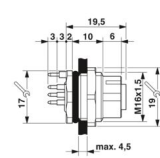
Product properties

Product type	Circular connectors (device side)
Number of positions	4
Shielded	yes
Coding	A

Insulation characteristics

Overvoltage category	II
Degree of pollution	3

Dimensions

Dimensional drawing	
Length of the solder pin	6 mm 6 mm

Material specifications

Material Housing	GD-Zn
Material Housing surface	Ni
Material Insulating body	PA 6.6
Material Contact	CuZn
Material Contact surface	Au
Material Seal	NBR
Flammability rating according to UL 94	V0

Electrical properties

Contact resistance	$\leq 3 \text{ m}\Omega$
Insulation resistance	$\geq 100 \text{ M}\Omega$
Nominal voltage U_N	250 V
Nominal current I_N	4 A

Connection data

Conductor connection	
Connection method	Solder pins

Connector

Connection 1	
--------------	--

SACC-DSI-FS-4CON-L180/SH YE - Device connector rear mounting



1457885

<https://www.phoenixcontact.com/us/products/1457885>

Head design	Socket
Head cable outlet	straight
Head thread type	M12
Head locking type	SPEEDCON
Coding	A

Environmental and real-life conditions

Ambient conditions

Degree of protection	IP67 (When plugged in)
	IP65 (When plugged in)
	IP65/IP67
Ambient temperature (operation) (male connector/female connector)	-25 °C ... 85 °C (Plug / socket)

Standards and regulations

M12

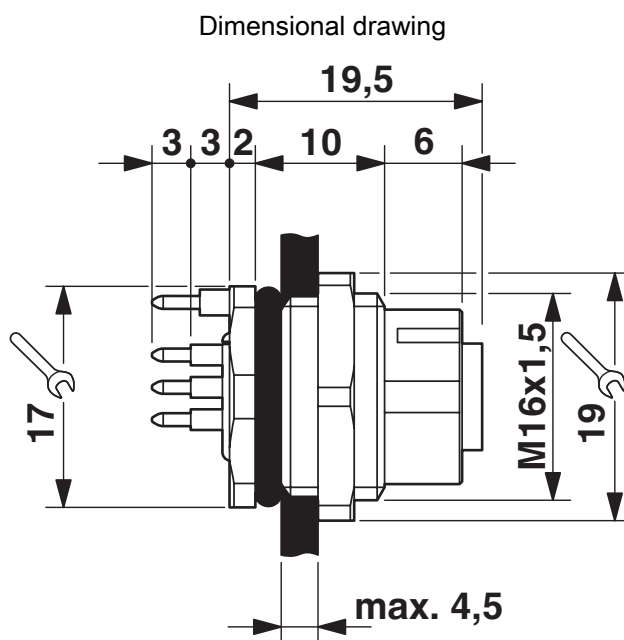
Standard designation	M12 connector
Standards/specifications	IEC 61076-2-101

SACC-DSI-FS-4CON-L180/SH YE - Device connector rear mounting

1457885

<https://www.phoenixcontact.com/us/products/1457885>

Drawings



M12 flush-type connector

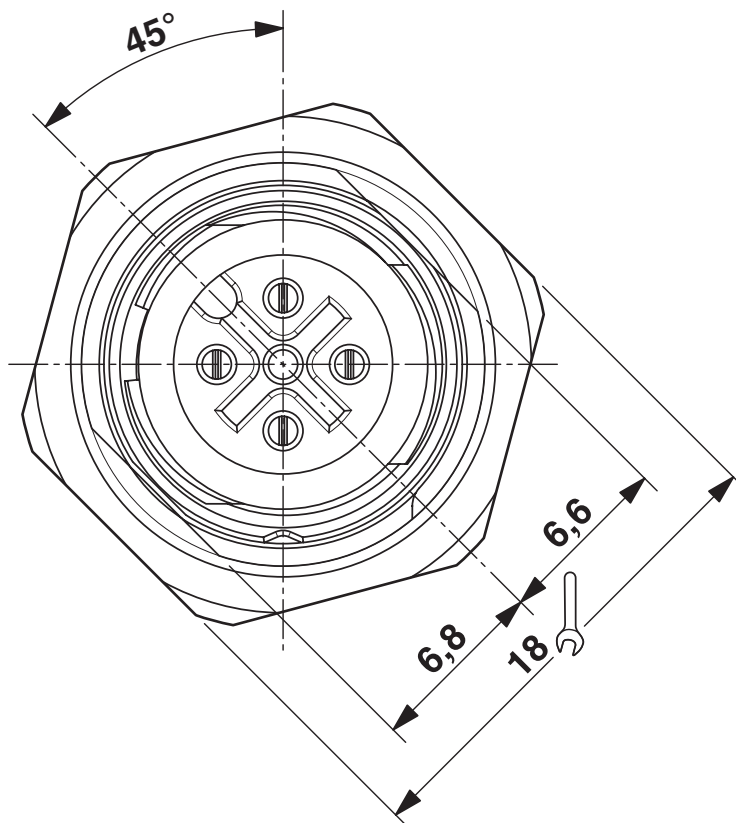
SACC-DSI-FS-4CON-L180/SH YE - Device connector rear mounting



1457885

<https://www.phoenixcontact.com/us/products/1457885>

Dimensional drawing



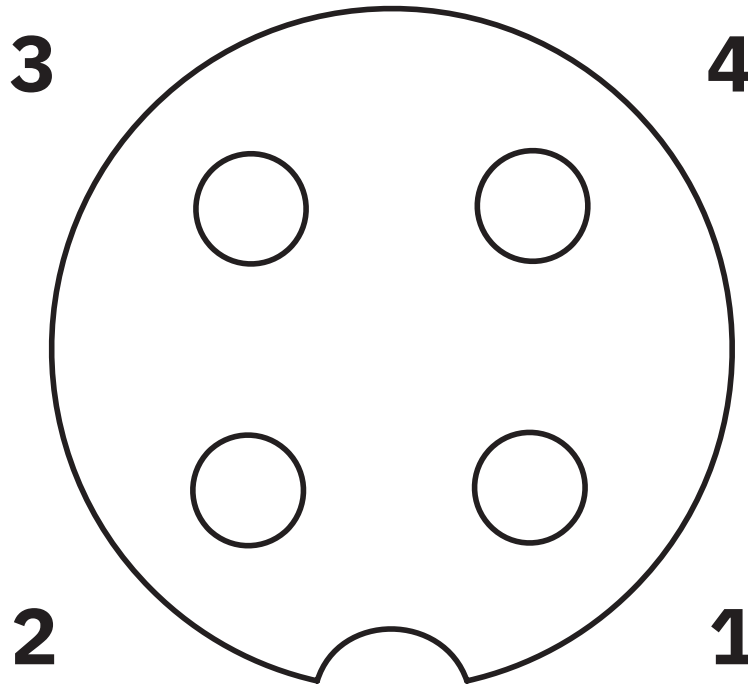
M12 front view

SACC-DSI-FS-4CON-L180/SH YE - Device connector rear mounting

1457885

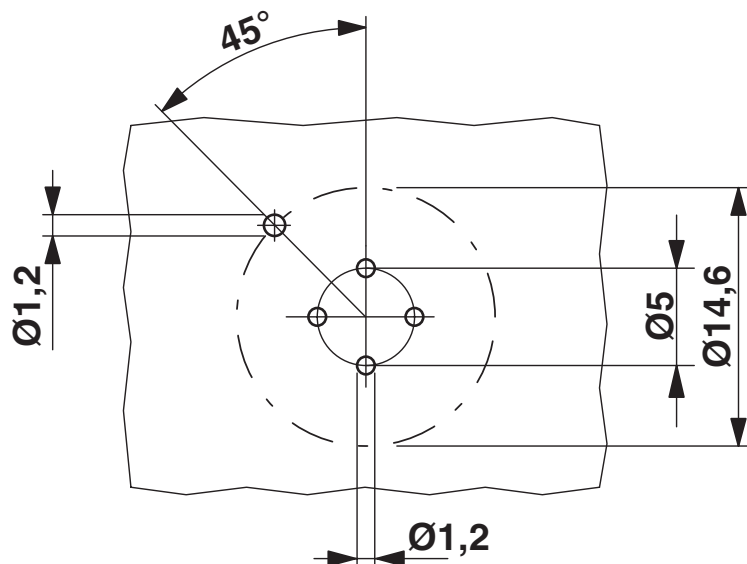
<https://www.phoenixcontact.com/us/products/1457885>

Schematic diagram



Pin assignment M12 socket, 4-pos., A-coded, view female side

Drilling plan/solder pad geometry



SACC-DSI-FS-4CON-L180/SH YE - Device connector rear mounting



1457885

<https://www.phoenixcontact.com/us/products/1457885>

Environmental product compliance

China RoHS

Environment friendly use period (EFUP)	EFUP-50
	An article-related China RoHS declaration table can be found in the download area for the respective article under "Manufacturer declaration". For all articles with EFUP-E, no China RoHS declaration table issued and required.

EU REACH SVHC

REACH candidate substance (CAS No.)	No substance above 0.1 wt%
-------------------------------------	----------------------------

Phoenix Contact 2026 © - all rights reserved
<https://www.phoenixcontact.com>

Phoenix Contact USA
586 Fulling Mill Road
Middletown, PA 17057, United States
(+717) 944-1300
info@phoenixcon.com