

# SACC-DSI-MINFS-3CON-M26 PCB - Flush-type connector



1457830

<https://www.phoenixcontact.com/us/products/1457830>

Please be informed that the data shown in this PDF document is generated from our online catalog. Please find the complete data in the user documentation. Our general terms of use for downloads are valid.

Sensor/actuator flush-type socket, 3-pos., 7/8", PCB mounting with M26 fastening thread



## Commercial data

Item number	1457830
Packing unit	1 pc
Note	Made to order (non-returnable)
Sales key	A11
Product key	ABQPAA
GTIN	4046356616942
Weight per piece (including packing)	64 g
Weight per piece (excluding packing)	64 g
Customs tariff number	85366990
Country of origin	DE

# SACC-DSI-MINFS-3CON-M26 PCB - Flush-type connector



1457830

<https://www.phoenixcontact.com/us/products/1457830>

## Technical data

### Product properties

Product type	Circular connectors (device side)
Number of positions	3
No. of cable outlets	1
Shielded	no
Coding	A

### Insulation characteristics

Overvoltage category	II
Degree of pollution	3

### Material specifications

Flammability rating according to UL 94	HB
Seal material	Viton
Contact material	CuZn
Contact surface material	Au
Contact carrier material	PUR
Material for screw connection	Zinc die-cast, nickel-plated

### Electrical properties

Contact resistance	$\leq 5 \text{ m}\Omega$
Insulation resistance	$\geq 100 \text{ M}\Omega$
Nominal voltage $U_N$	250 V
Nominal current $I_N$	12 A

### Connection data

#### Conductor connection

Connection method	Solder pins
-------------------	-------------

### Connector

#### Connection 1

Head design	Socket
Head cable outlet	straight
Head thread type	7/8"-16UNF

### Environmental and real-life conditions

#### Ambient conditions

Degree of protection	IP67
Ambient temperature (operation) (male connector/female connector)	-40 °C ... 85 °C (Socket)

# SACC-DSI-MINFS-3CON-M26 PCB - Flush-type connector

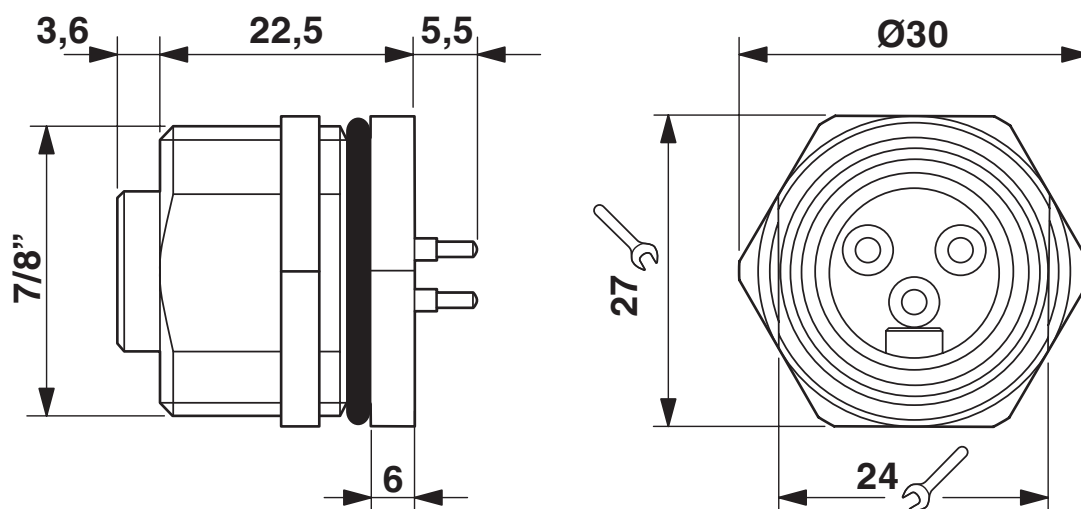


1457830

<https://www.phoenixcontact.com/us/products/1457830>

## Drawings

Dimensional drawing



7/8" flush-type socket

# SACC-DSI-MINFS-3CON-M26 PCB - Flush-type connector

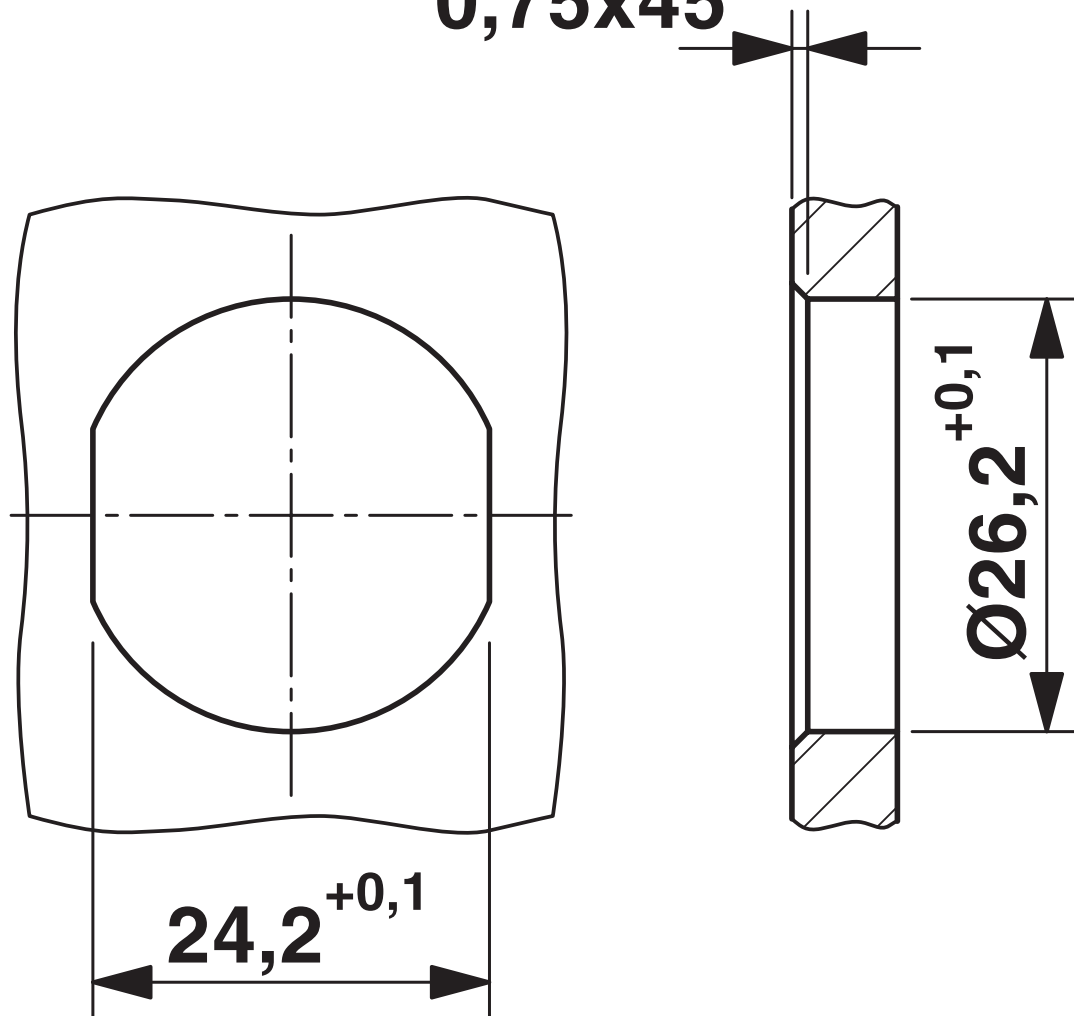


1457830

<https://www.phoenixcontact.com/us/products/1457830>

Dimensional drawing

**0,75x45°**

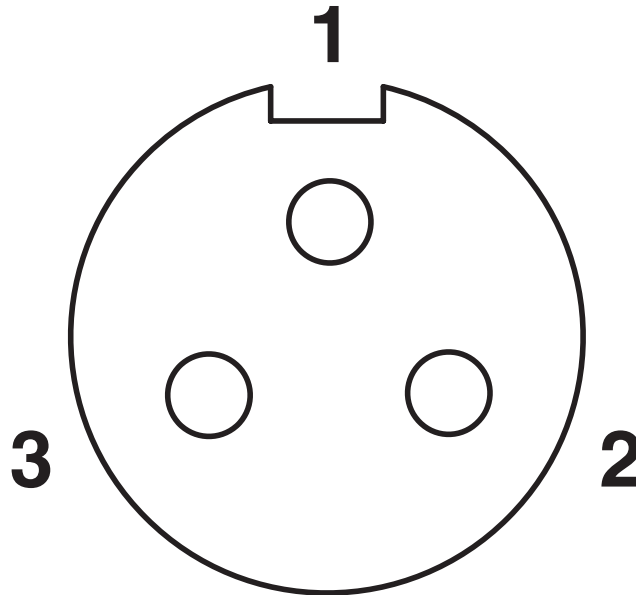


# SACC-DSI-MINFS-3CON-M26 PCB - Flush-type connector

1457830

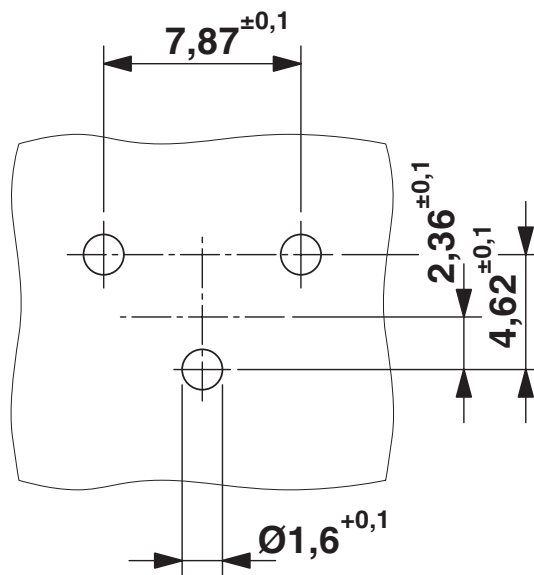
<https://www.phoenixcontact.com/us/products/1457830>

Schematic diagram



Connector pin assignment

Drilling plan/solder pad geometry



# SACC-DSI-MINFS-3CON-M26 PCB - Flush-type connector



1457830

<https://www.phoenixcontact.com/us/products/1457830>

Phoenix Contact 2026 © - all rights reserved

<https://www.phoenixcontact.com>

Phoenix Contact USA  
586 Fulling Mill Road  
Middletown, PA 17057, United States  
(+717) 944-1300  
[info@phoenixcon.com](mailto:info@phoenixcon.com)