

SACCBP-FSB-2CON-PG9/0,5-910EX - Bus system flush-type socket



1457788

<https://www.phoenixcontact.com/us/products/1457788>

Please be informed that the data shown in this PDF document is generated from our online catalog. Please find the complete data in the user documentation. Our general terms of use for downloads are valid.



Bus system flush-type socket, M12, PROFIBUS, shielded, B-coded, 2-pos., SPEEDCON fast locking system, rear mounting with Pg9 thread, 0.5 m bus cable 2 x 0.25 mm², suitable for installation in Ex zone 2 potentially explosive areas

Commercial data

Item number	1457788
Packing unit	1 pc
Minimum order quantity	1 pc
Product key	ABQYAA
GTIN	4046356627160
Weight per piece (including packing)	55 g
Weight per piece (excluding packing)	55 g
Country of origin	DE

SACCBP-FSB-2CON-PG9/0,5-910EX - Bus system flush-type socket



1457788

<https://www.phoenixcontact.com/us/products/1457788>

Technical data

Product properties

Product type	Circular connectors (device side)
Sensor type	PROFIBUS
Number of positions	2
No. of cable outlets	1
Shielded	yes
Coding	B

Insulation characteristics

Overvoltage category	II
Degree of pollution	3

Material specifications

Flammability rating according to UL 94	V0
Seal material	NBR
Contact material	CuZn
Contact surface material	Ni/Au
Contact carrier material	PA 6.6
Material for screw connection	Zinc die-cast, nickel-plated
Outer sheath, material	PUR

Electrical properties

Contact resistance	$\leq 3 \text{ m}\Omega$
Insulation resistance	$\geq 100 \text{ M}\Omega$
Nominal voltage U_N	$\leq 50 \text{ V AC/DC}$
Nominal current I_N	4 A

Connector

Connection 1

Head design	Socket
Head cable outlet	straight
Head thread type	M12
Head locking type	SPEEDCON
Coding	B

Connection 2

Head design	free cable end
-------------	----------------

Cable/line

Cable length	0.5 m
--------------	-------

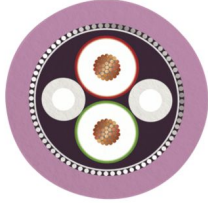
SACCBP-FSB-2CON-PG9/0,5-910EX - Bus system flush-type socket



1457788

<https://www.phoenixcontact.com/us/products/1457788>

PROFIBUS [910]

Dimensional drawing	
Shielded	yes
UL AWM Style	21198 (80°C/300 V)
Cable weight	90 kg/km
Cable type	PROFIBUS
Cable type (abbreviation)	910
Signal type/category	PROFIBUS
Cable structure	1x2xAWG24/19
External cable diameter	7.80 mm ±0.2 mm
Outer sheath, material	PUR
External sheath, color	red lilac RAL 4001
Conductor material	Tin-plated Cu litz wires
Conductor structure signal line	19x 0.13 mm
AWG signal line	24
Conductor cross-section	2x 0.25 mm ² (Signal line)
Material, filler	PP
Material wire insulation	Foam-Skin PP
Wire diameter incl. insulation	2.55 mm ±0.07 mm
Single wire, color	red, green
Overall twist	2 cores with 2 fillers to the core
Shielding	Plastic-coated aluminum foil, tinned copper braided shield
Optical shield covering	85 %
Nominal voltage, cable	300 V
Test voltage Core/Core	1500 V (50 Hz, 1 min.)
Test voltage Core/Shield	1500.00 V (50 Hz, 1 min.)
Cable resistance	≤ 78.6 Ω/km
Cable insulation resistance	≥ 5 GΩ*km
Wave impedance	150 Ω ±10 % (3 MHz ... 20 MHz)
Cable capacity	nom. 30 pF/m
Smallest bending radius, fixed installation	40 mm
Smallest bending radius, movable installation	65 mm
Number of bending cycles	4000000
Bending radius	65 mm
Traversing path	4.5 m

SACCBP-FSB-2CON-PG9/0,5-910EX - Bus system flush-type socket



1457788

<https://www.phoenixcontact.com/us/products/1457788>

Traversing rate	3 m/s
Acceleration	3 m/s ²
Number of bending cycles	5000000
Traversing path	4.5 m
Traversing rate	3 m/s
Acceleration	3 m/s ²
Ambient temperature (operation)	-20 °C ... 60 °C (cable, drag chain applications)
Halogen-free	in accordance with DIN VDE 0472 part 815 according to IEC 60754-1
Flame resistance	UL 1581, Section 1060 and UL 2556, Section 9.3 (FT1) UL 1581, Section 1100 and UL 2556, Section 9.1 (HFT/FT2) IEC 60332-1-2
Other resistance	Low adhesion
Ambient temperature (operation)	-30 °C ... 70 °C (Cable, flexible installation) -30 °C ... 70 °C (Cable, flexible installation) -40 °C ... 80 °C (cable, fixed installation)

Environmental and real-life conditions

Ambient conditions

Degree of protection	IP67 (When plugged in) IP65 (When plugged in) IP65/IP67
Ambient temperature (operation) (male connector/female connector)	-30 °C ... 75 °C (Plug / socket)

Standards and regulations

M12

Standard designation	M12 connector
Standards/specifications	IEC 61076-2-101
Standard designation	ATEX Directive 94/9/EC
Standards/specifications	IEC 60079-0 IEC 60079-11 IEC 60079-15
Standard designation	Declaration of conformity
Standards/specifications	QSI 10 ATEX 2018U II 3G Ex nA II Gc

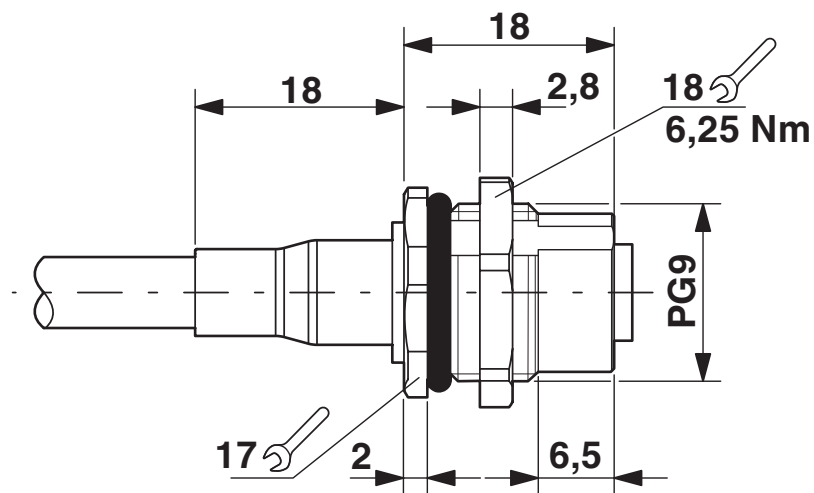
SACCBP-FSB-2CON-PG9/0,5-910EX - Bus system flush-type socket

1457788

<https://www.phoenixcontact.com/us/products/1457788>

Drawings

Dimensional drawing



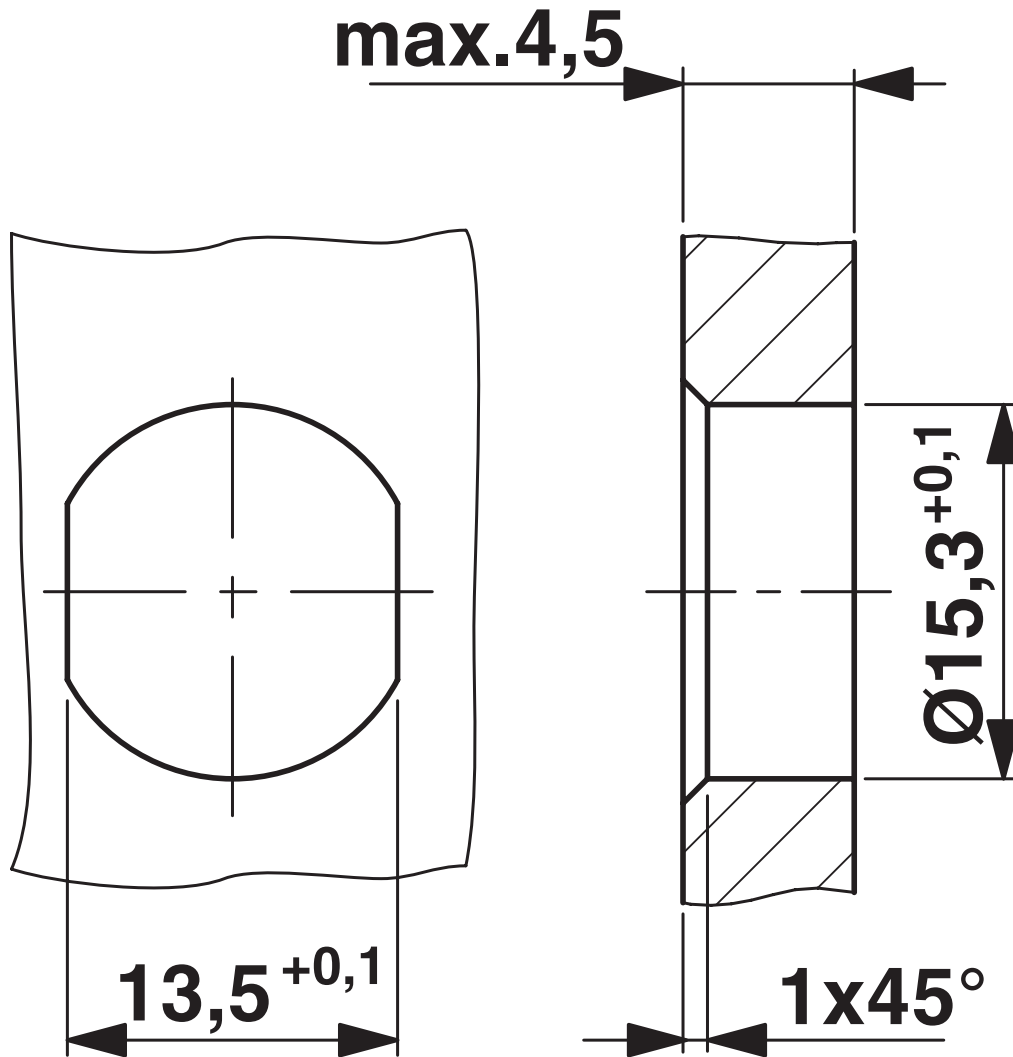
M12 panel feed-through

SACCBP-FSB-2CON-PG9/0,5-910EX - Bus system
flush-type socket

1457788

<https://www.phoenixcontact.com/us/products/1457788>

Dimensional drawing



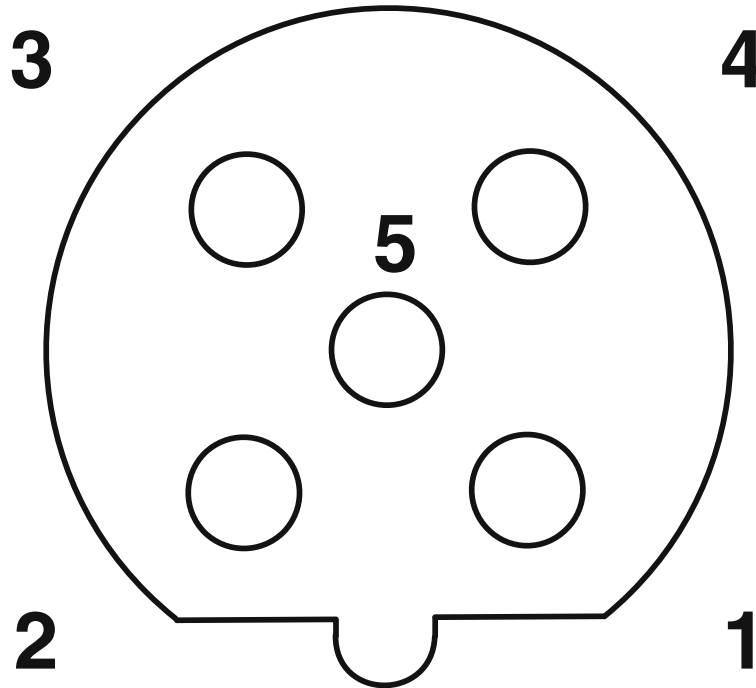
Housing cutout for Pg9 fastening thread, mounting panel with feed-through hole (alternatively with surface as protection against rotation)

SACCBP-FSB-2CON-PG9/0,5-910EX - Bus system flush-type socket

1457788

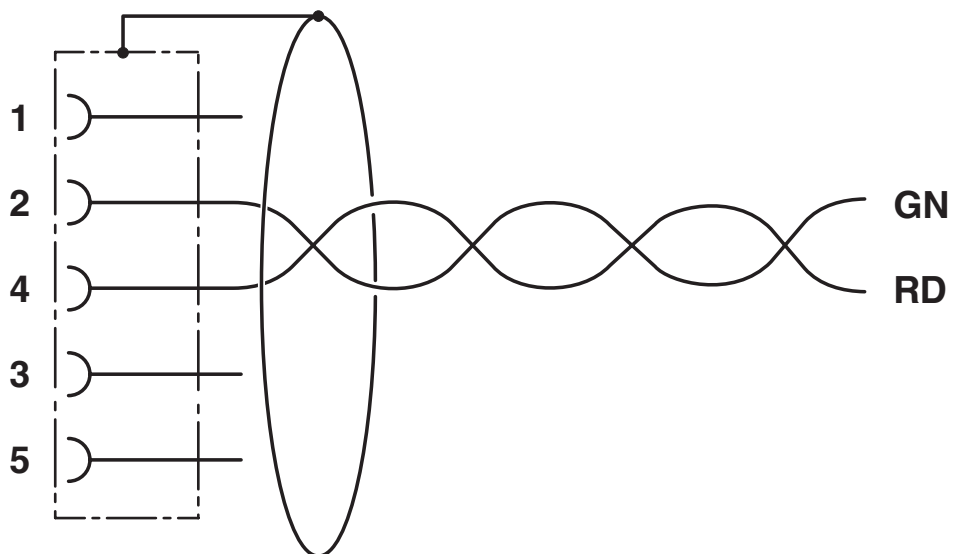
<https://www.phoenixcontact.com/us/products/1457788>

Schematic diagram



Pin assignment M12 socket, 5-pos., B-coded, female side

Circuit diagram



Contact assignment of the M12 socket

SACCBP-FSB-2CON-PG9/0,5-910EX - Bus system flush-type socket



1457788

<https://www.phoenixcontact.com/us/products/1457788>

Environmental product compliance

China RoHS

Environment friendly use period (EFUP)	EFUP-50
	An article-related China RoHS declaration table can be found in the download area for the respective article under "Manufacturer declaration". For all articles with EFUP-E, no China RoHS declaration table issued and required.

EU REACH SVHC

REACH candidate substance (CAS No.)	No substance above 0.1 wt%
-------------------------------------	----------------------------

Phoenix Contact 2026 © - all rights reserved
<https://www.phoenixcontact.com>

Phoenix Contact USA
586 Fulling Mill Road
Middletown, PA 17057, United States
(+717) 944-1300
info@phoenixcon.com