

SACC-DSI-MINMS-4CON-UNF/1,0 - Device connector rear mounting



1453766

<https://www.phoenixcontact.com/us/products/1453766>

Please be informed that the data shown in this PDF document is generated from our online catalog. Please find the complete data in the user documentation. Our general terms of use for downloads are valid.



Sensor/actuator flush-type plug, 4-pos., 7/8", rear mounting with 7/8" fastening thread, with 1.0 m PE litz wire, 4 x 0.75 mm²

Commercial data

Item number	1453766
Packing unit	1 pc
Note	Made to order (non-returnable)
Sales key	A11
Product key	ABQPAA
GTIN	4046356557849
Weight per piece (including packing)	106.6 g
Weight per piece (excluding packing)	106.6 g
Customs tariff number	85366990
Country of origin	DE

SACC-DSI-MINMS-4CON-UNF/1,0 - Device connector rear mounting



1453766

<https://www.phoenixcontact.com/us/products/1453766>

Technical data

Product properties

Product type	Circular connectors (device side)
Number of positions	4
No. of cable outlets	1
Shielded	no

Insulation characteristics

Overvoltage category	II
Degree of pollution	3

Material specifications

Flammability rating according to UL 94	HB
Contact material	CuZn
Contact surface material	Au
Contact carrier material	PUR
Material for screw connection	Zinc die-cast, nickel-plated

Electrical properties

Contact resistance	$\leq 5 \text{ m}\Omega$
Insulation resistance	$\geq 100 \text{ M}\Omega$
Nominal voltage U_N	250 V
Nominal current I_N	9 A

Connection data

Conductor connection

Connection method	Individual wires
-------------------	------------------

Connector

Connection 1

Head design	Plug
Head cable outlet	straight
Head thread type	7/8"-16UNF

Cable/line

Cable length	1 m
Cable type	PVC litz wire
Wire diameter incl. insulation	2.7 mm
Single wire, color	brown, white, blue, black
Cable cross section	0.75 mm ²
Conductor structure signal line	24x 0.20 mm

SACC-DSI-MINMS-4CON-UNF/1,0 - Device connector rear mounting



1453766

<https://www.phoenixcontact.com/us/products/1453766>

AWG signal line	18
Material wire insulation	PVC
Thickness, insulation	0.85 mm (Core insulation)
Ambient temperature (operation)	-40 °C ... 85 °C (cable, fixed installation)

Environmental and real-life conditions

Ambient conditions

Degree of protection	IP67
Ambient temperature (operation) (male connector/female connector)	-40 °C ... 85 °C (Plug)
Ambient temperature (operation) (Cable, fixed installation)	-40 °C ... 85 °C (cable, fixed installation)

SACC-DSI-MINMS-4CON-UNF/1,0 - Device connector rear mounting

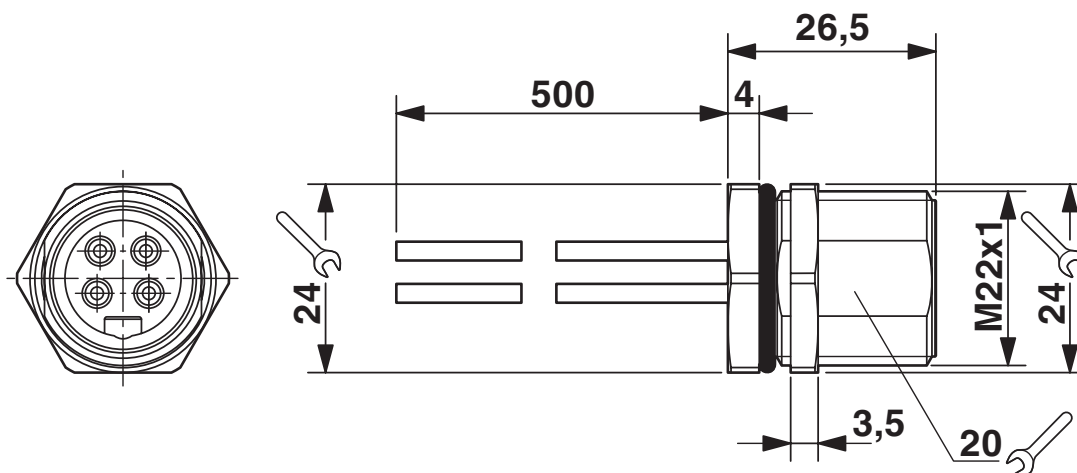


1453766

<https://www.phoenixcontact.com/us/products/1453766>

Drawings

Dimensional drawing



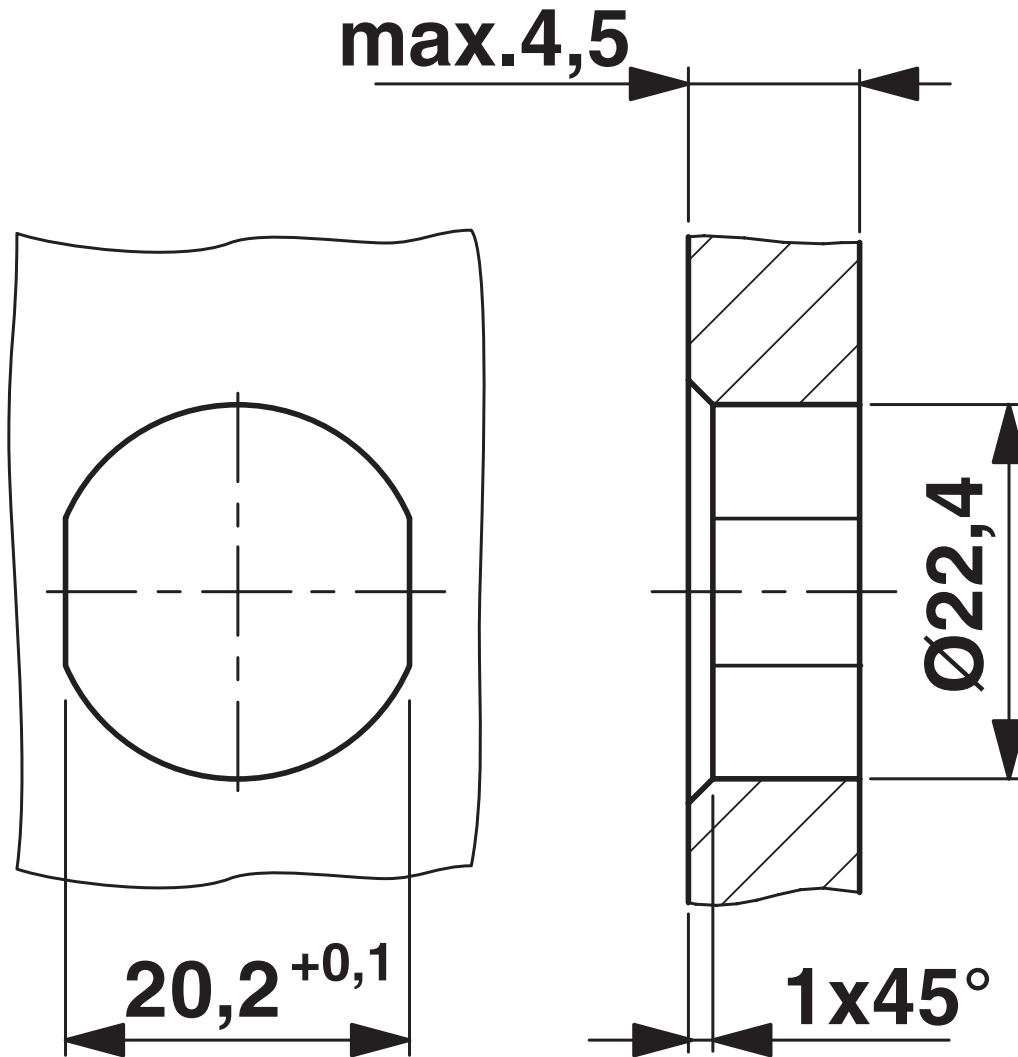
7/8" flush-type plug

SACC-DSI-MINMS-4CON-UNF/1,0 - Device connector
rear mounting

1453766

<https://www.phoenixcontact.com/us/products/1453766>

Dimensional drawing



Housing cutout

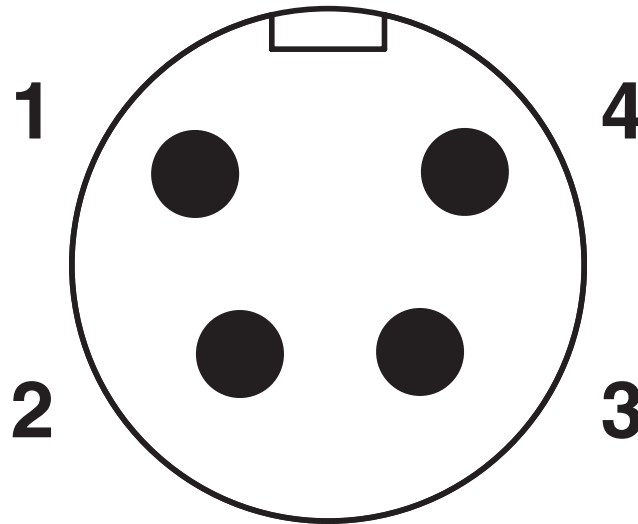
SACC-DSI-MINMS-4CON-UNF/1,0 - Device connector rear mounting



1453766

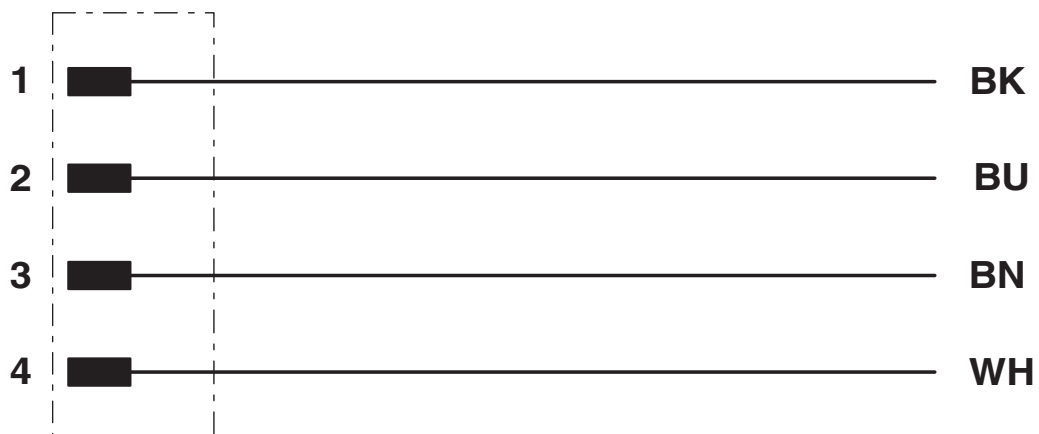
<https://www.phoenixcontact.com/us/products/1453766>

Schematic diagram



Connector pin assignment

Circuit diagram



SACC-DSI-MINMS-4CON-UNF/1,0 - Device connector rear mounting



1453766

<https://www.phoenixcontact.com/us/products/1453766>

Environmental product compliance

China RoHS

Environment friendly use period (EFUP)	EFUP-25
	An article-related China RoHS declaration table can be found in the download area for the respective article under "Manufacturer declaration". For all articles with EFUP-E, no China RoHS declaration table issued and required.

EU REACH SVHC

REACH candidate substance (CAS No.)	No substance above 0.1 wt%
-------------------------------------	----------------------------

Phoenix Contact 2026 © - all rights reserved
<https://www.phoenixcontact.com>

Phoenix Contact USA
586 Fulling Mill Road
Middletown, PA 17057, United States
(+717) 944-1300
info@phoenixcon.com