

SACB-4/ 8-SC SCO P - Distributor box



1452932

<https://www.phoenixcontact.com/us/products/1452932>

Please be informed that the data shown in this PDF document is generated from our online catalog. Please find the complete data in the user documentation. Our general terms of use for downloads are valid.



Distributor box, application: Standard, connection method: M12 socket Plastic, number of slots: 4, number of positions: 5, coding: A, slot assignment: Double, status display: no, Universal; master cable connection: Spring-cage connection 180°, shielding: no

Your advantages

- Safety in the field, thanks to molded housing and high degree of protection
- Save space: distributor box with double occupancy for two sensors in one slot
- Save time, thanks to installation with SPEEDCON fast locking system
- Flexible: distributor box with connector hood for on-site assembly

Commercial data

Item number	1452932
Packing unit	1 pc
Minimum order quantity	1 pc
Sales key	BF41
Product key	AF3CBC
GTIN	4046356553551
Weight per piece (including packing)	158.3 g
Weight per piece (excluding packing)	155.7 g
Customs tariff number	85366990
Country of origin	DE

SACB-4/ 8-SC SCO P - Distributor box



1452932

<https://www.phoenixcontact.com/us/products/1452932>

Technical data

Product properties

Product type	Distributor box
Application	Standard
Number of positions	5
Number of slots	4
Coding	A
LED	no

Electrical properties

Nominal voltage U_N	120 V AC
	120 V DC
Rated current, total	12 A
Max. current carrying capacity per path	2 A
Current carrying capacity per slot	4 A

Connection data

Conductor connection

Sensor/actuator connection system	M12 socket
Conductor cross-section Flexible signal line	0.2 mm ² ... 0.5 mm ²
Conductor cross-section Flexible power supply	0.2 mm ² ... 1.5 mm ²
Connection cross section AWG Flexible signal line	24 ... 20
Connection cross section AWG Flexible power supply	24 ... 16
Stripping length Signal line	6 mm
Stripping length Power supply	10 mm
Stripping length of the sheath	50 mm (Master cable)
Tightening torque, cover screw	1 Nm
Tightening torque slot sensor/actuator cable	0.4 Nm
Tightening torque of mounting screw for fixing the housing	0.5 Nm
Tightening torque, union nut	2.5 Nm

Connection assignment

Slot/position = Wire color or connection	1 / 4 (A) = WH
	1 / 2 (B) = GYPK
	2 / 4 (A) = GN
	2 / 2 (B) = RDBU
	3 / 4 (A) = YE
	3 / 2 (B) = WHGN
	4 / 4 (A) = GY
	4 / 2 (B) = BNGN
	1-4 / 1 (+ 120 V) = BN
	1-4 / 3 (0 V) = BU

SACB-4/ 8-SC SCO P - Distributor box



1452932

<https://www.phoenixcontact.com/us/products/1452932>

1-4 / 5 (PE) = GNYE

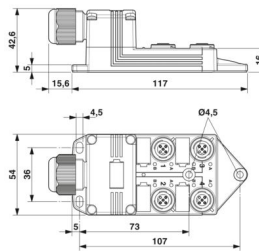
Signaling

Status display present

no

Dimensions

Dimensional drawing



Width

54 mm

Height

42 mm

Length

117 mm

Material specifications

Material Threaded sleeve

PBT

Material Housing

PBT

Material Molding compound

PUR

Flammability rating according to UL 94

V0

Seal material O-ring

NBR

Contact material

Cu alloy

Contact surface material

gold-plated

Contact carrier material

PA

Cable/line

External cable diameter

7 mm ... 12 mm

Connection method

Spring-cage connection

Environmental and real-life conditions

Ambient conditions

Degree of protection

IP65

IP67

Ambient temperature (operation)

-25 °C ... 80 °C

Standards and regulations

Standard designation

M12 connector

Standards/specifications

IEC 61076-2-101

SACB-4/ 8-SC SCO P - Distributor box

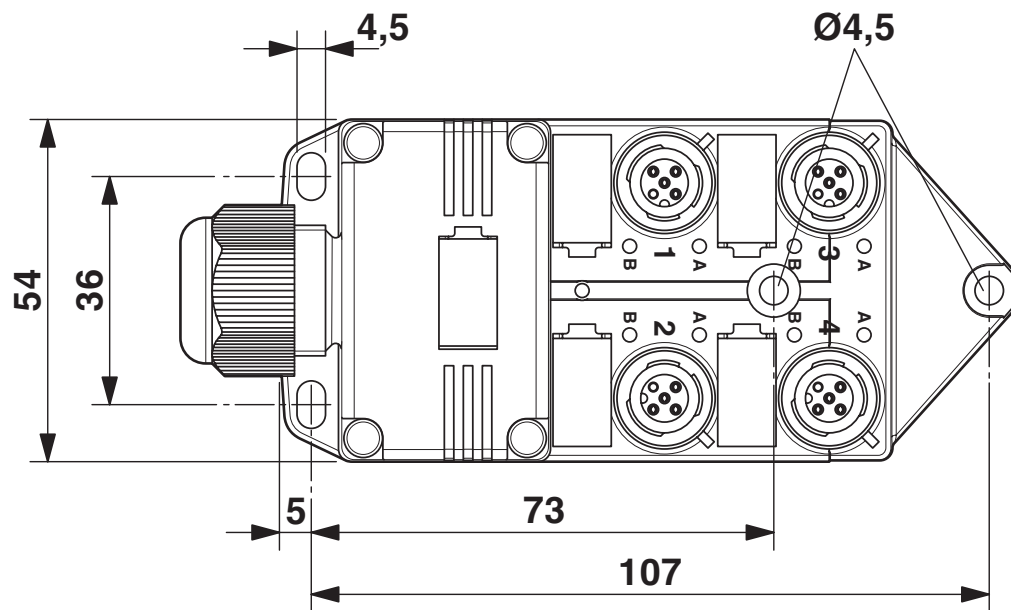
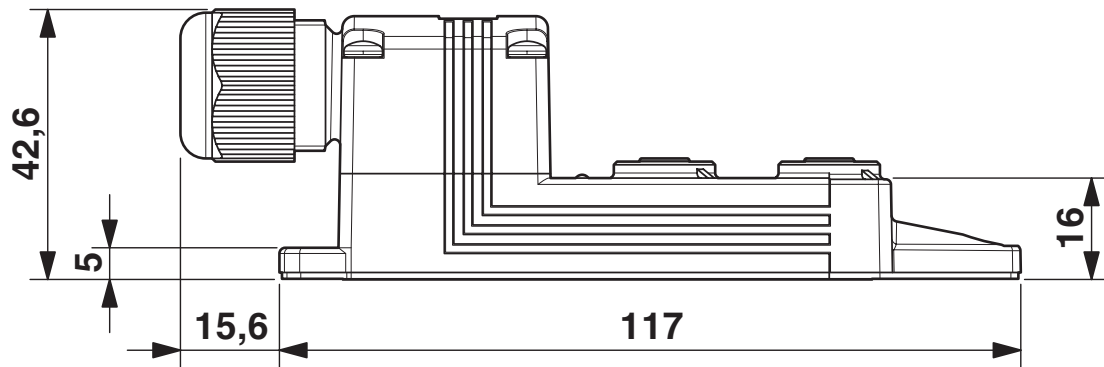


1452932

<https://www.phoenixcontact.com/us/products/1452932>

Drawings

Dimensional drawing



SACB-4/ 8-SC SCO P - Distributor box

1452932

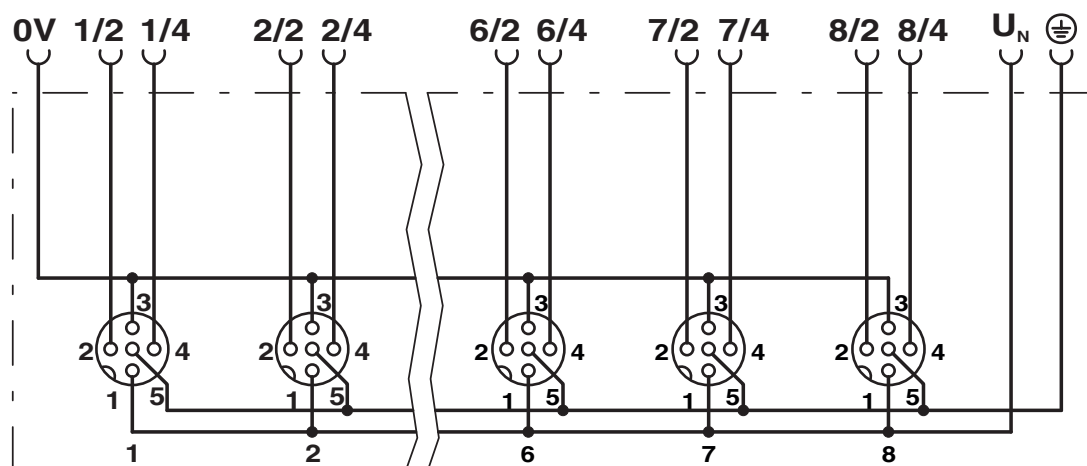
<https://www.phoenixcontact.com/us/products/1452932>

Schematic diagram



M12 slot, socket, 5-pos.

Circuit diagram



SACB-4/ 8-SC SCO P - Distributor box





1452932

<https://www.phoenixcontact.com/us/products/1452932>

Approvals

To download certificates, visit the product detail page: <https://www.phoenixcontact.com/us/products/1452932>

 cUL Recognized Approval ID: E118976				
	Nominal voltage U_N	Nominal current I_N	Cross section AWG	Cross section mm^2
keine				
	120 V	-	-	-

 UL Recognized Approval ID: E118976				
	Nominal voltage U_N	Nominal current I_N	Cross section AWG	Cross section mm^2
keine				
	120 V	-	-	-

SACB-4/ 8-SC SCO P - Distributor box



1452932

<https://www.phoenixcontact.com/us/products/1452932>

Classifications

ECLASS

ECLASS-13.0	27440111
ECLASS-15.0	27440111

ETIM

ETIM 10.0	EC003558
-----------	----------

UNSPSC

UNSPSC 21.0	31251500
-------------	----------

SACB-4/ 8-SC SCO P - Distributor box



1452932

<https://www.phoenixcontact.com/us/products/1452932>

Environmental product compliance

EU RoHS

Fulfills EU RoHS substance requirements	Yes, No exemptions
---	--------------------

China RoHS

Environment friendly use period (EFUP)	EFUP-E
	No hazardous substances above the limits

EU REACH SVHC

REACH candidate substance (CAS No.)	No substance above 0.1 wt%
-------------------------------------	----------------------------

Phoenix Contact 2026 © - all rights reserved
<https://www.phoenixcontact.com>

Phoenix Contact USA
586 Fulling Mill Road
Middletown, PA 17057, United States
(+717) 944-1300
info@phoenixcon.com