

# SACB-4/ 4- 5,0PUR SCO P - Distributor box



1452398

<https://www.phoenixcontact.com/us/products/1452398>

Please be informed that the data shown in this PDF document is generated from our online catalog. Please find the complete data in the user documentation. Our general terms of use for downloads are valid.



Distributor box, application: Standard, connection method: M12 socket Plastic, number of slots: 4, number of positions: 4, coding: A, slot assignment: single, status display: no, Universal; master cable connection: Fixed connection 180°, PUR/PVC, cable length: 5 m, shielding: no

## Your advantages

- Safety in the field, thanks to molded housing and high degree of protection
- Save time, thanks to installation with SPEEDCON fast locking system

## Commercial data

Item number	1452398
Packing unit	1 pc
Minimum order quantity	1 pc
Sales key	BF41
Product key	AF3CBA
GTIN	4046356553780
Weight per piece (including packing)	558.6 g
Weight per piece (excluding packing)	535.2 g
Customs tariff number	85444290
Country of origin	DE

# SACB-4/ 4- 5,0PUR SCO P - Distributor box



1452398

<https://www.phoenixcontact.com/us/products/1452398>

## Technical data

### Notes

Assembly note	<b>NOTE:</b> Observe the permissible bending radii when routing cables, since the degree of protection may be at risk if the bending forces are too high. Reduce mechanical loads upstream of the connector, e.g., by using cable ties.
Note on application	Unused slots are to be sealed off prior to commissioning. Suitable sealing elements are to be found under "Accessories".

### Product properties

Product type	Distributor box
Application	Standard
Number of positions	4
Number of slots	4
Coding	A
LED	no

### Electrical properties

Nominal voltage $U_N$	120 V AC
	120 V DC
Rated current, total	12 A
Max. current carrying capacity per path	2 A
Current carrying capacity per slot	4 A

### Connection data

#### Conductor connection

Sensor/actuator connection system	M12 socket
Tightening torque slot sensor/actuator cable	0.4 Nm
Tightening torque of mounting screw for fixing the housing	0.5 Nm

#### Connection assignment

Slot/position = Wire color or connection	1 / 4 (A) = WH
	2 / 4 (A) = GN
	3 / 4 (A) = YE
	4 / 4 (A) = GY
	1-4 / 1 (+ 120 V) = BN
	1-4 / 3 (0 V) = BU
	1-4 / 5 (PE) = GNYE

### Signaling

Status display present	no
------------------------	----

### Dimensions

# SACB-4/ 4- 5,0PUR SCO P - Distributor box



1452398

<https://www.phoenixcontact.com/us/products/1452398>

Dimensional drawing	
Width	54 mm
Height	23 mm
Length	117 mm

## Material specifications

Material Threaded sleeve	PBT
Material Housing	PBT
Material Molding compound	PUR
Flammability rating according to UL 94	V0
Seal material O-ring	NBR
Contact material	Cu alloy
Contact surface material	gold-plated
Contact carrier material	PA

## Cable/line

Cable length	5 m
--------------	-----

### PUR/PVC black [PUR]

Dimensional drawing	
Cable weight	77.9 kg/km
UL AWM Style	20549
Number of positions	7
Shielded	no
Cable type	PUR/PVC black [PUR]
Conductor structure signal line	19x 0.15 mm
AWG signal line	22
Conductor structure, voltage supply	42x 0.15 mm
AWG power supply	18
Conductor cross-section	4x 0.34 mm <sup>2</sup> (Signal line) 3x 0.75 mm <sup>2</sup> (power line)

# SACB-4/ 4- 5,0PUR SCO P - Distributor box



1452398

<https://www.phoenixcontact.com/us/products/1452398>

Wire diameter incl. insulation	1.3 mm ±0.1 mm (Signal line)
	1.8 mm ±0.1 mm (power line)
External cable diameter	6.90 mm ±0.2 mm
Outer sheath, material	PUR
External sheath, color	black RAL 9005
Conductor material	Bare Cu litz wires
Material wire insulation	PVC
Single wire, color	brown, blue, green/yellow, white, green, yellow, gray
Inner sheath thickness	≥ 0.15 mm
Thickness, outer sheath	≥ 0.38 mm
Overall twist	Wires twisted in layers
Nominal voltage, cable	300 V
Test voltage	2000 V
Minimum bending radius, fixed installation	7.5 x D
Minimum bending radius, flexible installation	10 x D
Smallest bending radius, fixed installation	52 mm
Smallest bending radius, movable installation	69 mm
Dynamic load capacity (bending)	Max. bending cycles: 1500000, Bending radius: 69 mm, Traversing path: 2 m, Traversing rate: 2 m/s
Flame resistance	DIN EN 50265
Resistance to oil	according to VDE 0472 Part 803
Other resistance	Highly resistant to acids, alkaline solutions and solvents
Special properties	Silicone-free
Ambient temperature (operation)	-40 °C ... 90 °C (cable, fixed installation)
	-5 °C ... 80 °C (Cable, flexible installation)
	80 °C (in acc. with UL)

## Environmental and real-life conditions

### Ambient conditions

Degree of protection	IP65
	IP67
Ambient temperature (operation)	-25 °C ... 80 °C

## Standards and regulations

Standard designation	M12 connector
Standards/specifications	IEC 61076-2-101

# SACB-4/ 4- 5,0PUR SCO P - Distributor box



1452398

<https://www.phoenixcontact.com/us/products/1452398>

## Drawings

Dimensional drawing

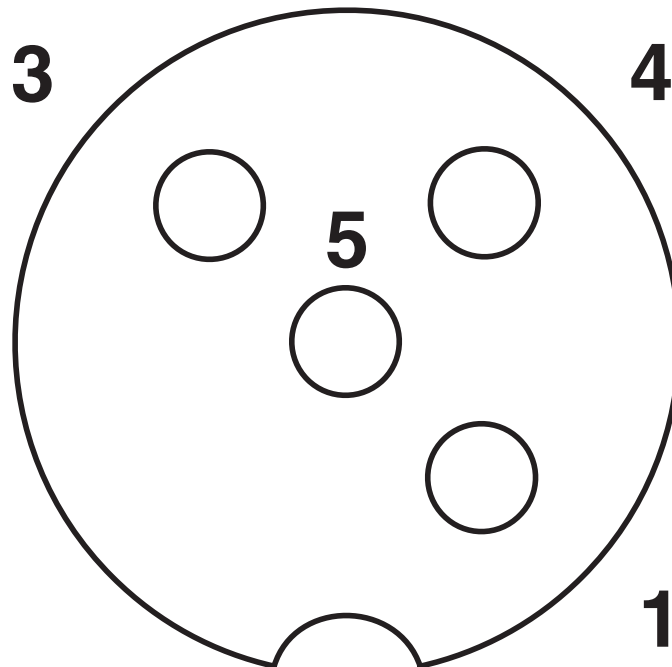


# SACB-4/ 4- 5,0PUR SCO P - Distributor box

1452398

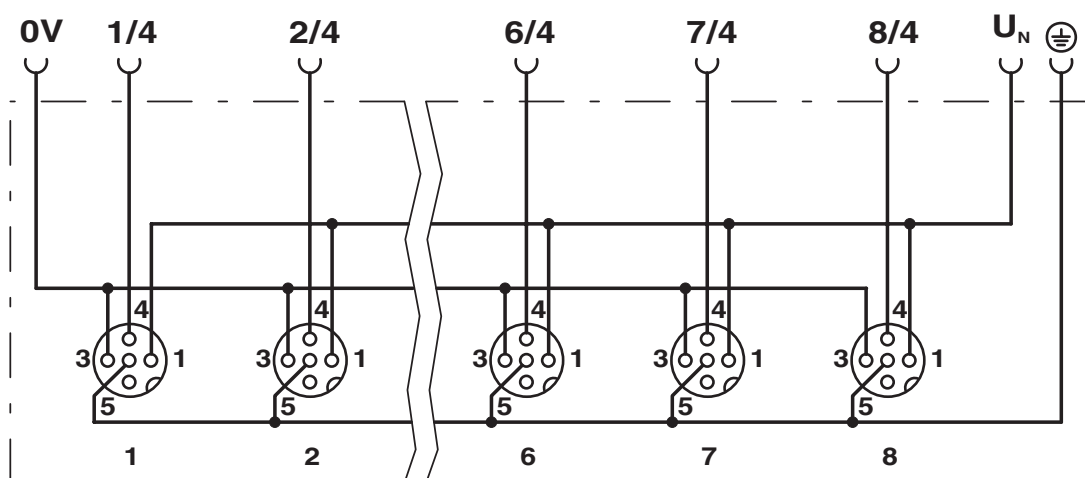
<https://www.phoenixcontact.com/us/products/1452398>

Schematic diagram



M12 slot, socket, 4-pos.

Circuit diagram



# SACB-4/ 4- 5,0PUR SCO P - Distributor box




1452398

<https://www.phoenixcontact.com/us/products/1452398>

## Approvals

To download certificates, visit the product detail page: <https://www.phoenixcontact.com/us/products/1452398>

 <b>cUL Recognized</b> Approval ID: E118976				
	Nominal voltage $U_N$	Nominal current $I_N$	Cross section AWG	Cross section $mm^2$
keine				
	120 V	-	-	-

 <b>UL Recognized</b> Approval ID: E118976				
	Nominal voltage $U_N$	Nominal current $I_N$	Cross section AWG	Cross section $mm^2$
keine				
	120 V	-	-	-

# SACB-4/ 4- 5,0PUR SCO P - Distributor box



1452398

<https://www.phoenixcontact.com/us/products/1452398>

## Classifications

### ECLASS

ECLASS-13.0	27440108
ECLASS-15.0	27440108

### ETIM

ETIM 10.0	EC002585
-----------	----------

### UNSPSC

UNSPSC 21.0	31251500
-------------	----------

# SACB-4/ 4- 5,0PUR SCO P - Distributor box



1452398

<https://www.phoenixcontact.com/us/products/1452398>

## Environmental product compliance

### EU RoHS

Fulfills EU RoHS substance requirements	Yes, No exemptions
---	--------------------

### China RoHS

Environment friendly use period (EFUP)	EFUP-E
	No hazardous substances above the limits

### EU REACH SVHC

REACH candidate substance (CAS No.)	No substance above 0.1 wt%
-------------------------------------	----------------------------

Phoenix Contact 2026 © - all rights reserved  
<https://www.phoenixcontact.com>

Phoenix Contact USA  
586 Fulling Mill Road  
Middletown, PA 17057, United States  
(+717) 944-1300  
[info@phoenixcon.com](mailto:info@phoenixcon.com)