

# SAC-3P-MS/0,6-PUR/C-1L-ZSCO LS - Sensor/actuator cable



1445677

<https://www.phoenixcontact.com/us/products/1445677>

Please be informed that the data shown in this PDF document is generated from our online catalog. Please find the complete data in the user documentation. Our general terms of use for downloads are valid.



Sensor/actuator cable, 3-position, PUR halogen-free, black-gray RAL 7021, Plug straight M12 SPEEDCON, coding: A, on Valve connector C (8 mm), with 1 LED, Wiring: Z diode, cable length: 0.6 m

## Commercial data

Item number	1445677
Packing unit	1 pc
Minimum order quantity	50 pc
Product key	AF1DNA
GTIN	4046356582865
Weight per piece (including packing)	42.3 g
Weight per piece (excluding packing)	42.3 g
Country of origin	PL

# SAC-3P-MS/0,6-PUR/C-1L-ZSCO LS - Sensor/actuator cable



1445677

<https://www.phoenixcontact.com/us/products/1445677>

## Technical data

### Product properties

Product type	Sensor/actuator cable with valve connector
Number of positions	3
No. of cable outlets	1
Shielded	no
Coding	A

### Insulation characteristics

Overvoltage category	III
Degree of pollution	3

### Material specifications

Flammability rating according to UL 94	HB
Seal material	TPU
Material housing valve plug	TPU
Material of grip body	TPU
Contact material	CuSn
Contact surface material	Ni/Au
Contact carrier material	TPU GF
Contact material	CuSn
Valve plug contact insert material	PA 6.6
Contact surface material	Sn
Material for screw connection	Zinc die-cast, nickel-plated

### Electrical properties

Insulation resistance	$\geq 100 \text{ M}\Omega$
Nominal voltage $U_N$	24 V AC
	24 V DC
Nominal current $I_N$	4 A

### Signaling

Status display	1 LED
Status display present	yes

### Connector

#### Connection 1

Type	Plug straight M12 SPEEDCON
Locking type	SPEEDCON
Coding type	A

#### Connection 2

Type	Valve connector C (8 mm)
------	--------------------------

# SAC-3P-MS/0,6-PUR/C-1L-ZSCO LS - Sensor/actuator cable



1445677

<https://www.phoenixcontact.com/us/products/1445677>

Material	CuSn (Contact)
	Sn (Contact surface)
	PA 6.6 (Contact carrier)
	TPU (Housing)
Protective circuit	Z diode

## Cable/line

Cable length	0.6 m
--------------	-------

PUR halogen-free black [PUR]

Dimensional drawing	
Cable weight	30 kg/km
UL AWM Style	20549
Number of positions	3
Shielded	no
Cable type	PUR halogen-free black [PUR]
Conductor structure signal line	28x 0.15 mm
AWG signal line	20
Conductor cross-section	3x 0.5 mm <sup>2</sup>
Wire diameter incl. insulation	1.5 mm ±0.05 mm (Signal line)
External cable diameter	4.50 mm ±0.2 mm
Outer sheath, material	PUR
External sheath, color	black-gray RAL 7021
Conductor material	Bare Cu litz wires
Material wire insulation	PP
Single wire, color	black 1, black 2, green/yellow
Overall twist	3 wires, twisted
Max. conductor resistance	39 Ω/km (at 20 °C)
Insulation resistance	min. 20 MΩ*km
Nominal voltage, cable	≤ 300 V
Test voltage	≥ 1200 V
Minimum bending radius, fixed installation	5 x D
Minimum bending radius, flexible installation	10 x D
Smallest bending radius, fixed installation	22.5 mm
Smallest bending radius, movable installation	45 mm
Dynamic load capacity (bending)	Max. bending cycles: 15000000, Bending radius: 50 mm, Traversing path: 0.9 m, Traversing rate: 5 m/s, Acceleration: 30 m/s <sup>2</sup>

# SAC-3P-MS/0,6-PUR/C-1L-ZSCO LS - Sensor/actuator cable



1445677

<https://www.phoenixcontact.com/us/products/1445677>

Halogen-free	in accordance with DIN VDE 0472 part 815
Flame resistance	according to DIN VDE 0482
	According to DIN EN 50265-2-1
Resistance to oil	in accordance with DIN EN 60811-2-1
Other resistance	largely oil-resistant
	partly UV-resistant (in accordance with DIN EN ISO 4892-2-A)
Ambient temperature (operation)	-40 °C ... 80 °C (cable, fixed installation)
	-20 °C ... 80 °C (Cable, flexible installation)

## Environmental and real-life conditions

### Ambient conditions

Degree of protection	IP65
	IP67
Ambient temperature (operation) (male connector/female connector)	-25 °C ... 90 °C (Plug / socket)
Ambient temperature (operation) (Valve connector)	-20 °C ... 85 °C (Valve connector)
Ambient temperature (operation) (Cable, fixed installation)	-40 °C ... 80 °C (cable, fixed installation)
Ambient temperature (operation) (Cable, flexible installation)	-15 °C ... 80 °C (Cable, flexible installation)

# SAC-3P-MS/0,6-PUR/C-1L-ZSCO LS - Sensor/actuator cable

1445677

<https://www.phoenixcontact.com/us/products/1445677>

## Drawings

Dimensional drawing



Plug, M12 x 1, straight, shielded

Dimensional drawing



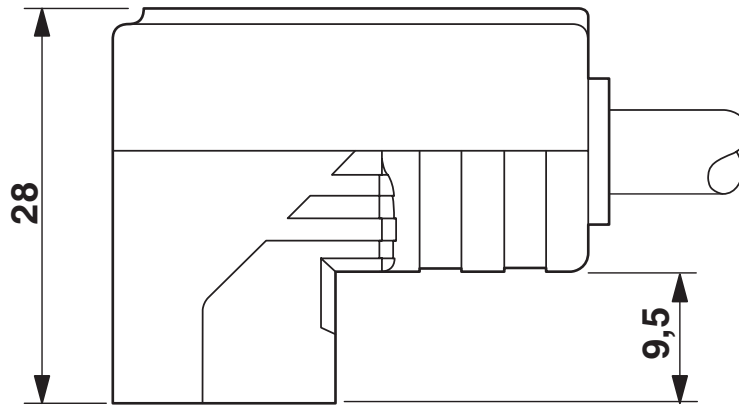
Valve connector, type C

# SAC-3P-MS/0,6-PUR/C-1L-ZSCO LS - Sensor/actuator cable

1445677

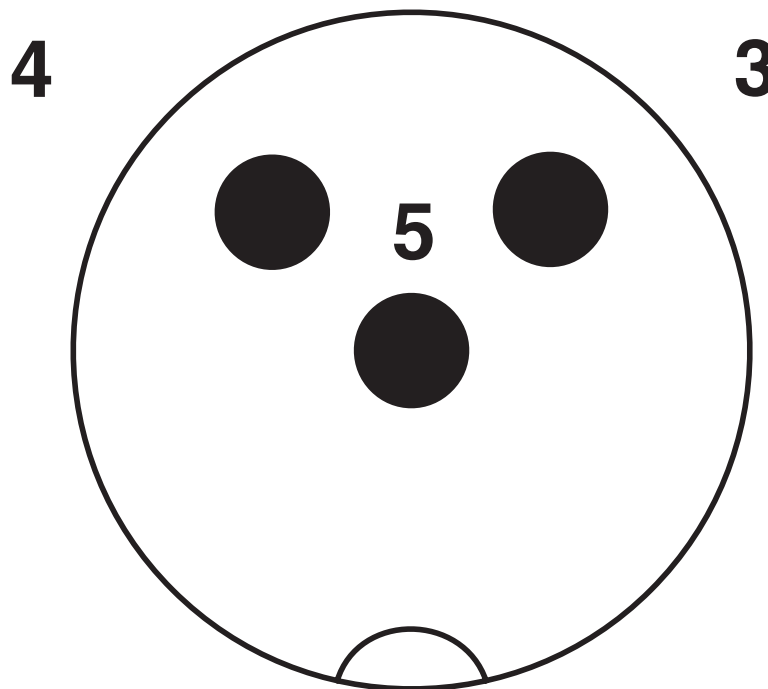
<https://www.phoenixcontact.com/us/products/1445677>

Dimensional drawing



Valve connector, type C, side view

Schematic diagram

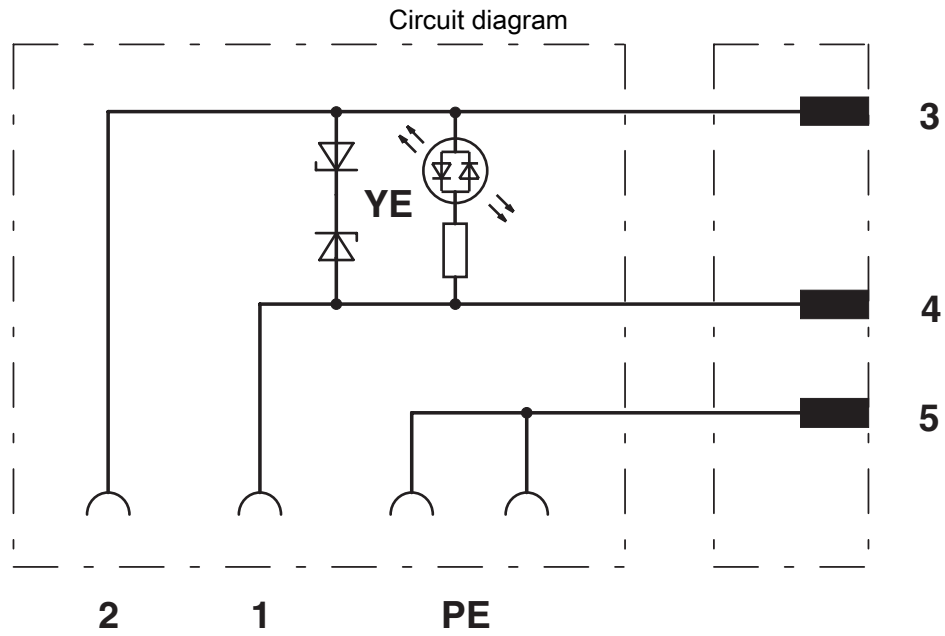


Pin assignment M12 plug, 3-pos., valve connector

# SAC-3P-MS/0,6-PUR/C-1L-ZSCO LS - Sensor/actuator cable

1445677

<https://www.phoenixcontact.com/us/products/1445677>



Contact assignment of M12 plug and valve connector

# SAC-3P-MS/0,6-PUR/C-1L-ZSCO LS - Sensor/actuator cable



1445677

<https://www.phoenixcontact.com/us/products/1445677>

## Classifications

### ECLASS

ECLASS-13.0	27060312
ECLASS-15.0	27060312

# SAC-3P-MS/0,6-PUR/C-1L-ZSCO LS - Sensor/actuator cable



1445677

<https://www.phoenixcontact.com/us/products/1445677>

## Environmental product compliance

### China RoHS

Environment friendly use period (EFUP)	EFUP-50
	An article-related China RoHS declaration table can be found in the download area for the respective article under "Manufacturer declaration". For all articles with EFUP-E, no China RoHS declaration table issued and required.

### EU REACH SVHC

REACH candidate substance (CAS No.)	No substance above 0.1 wt%
-------------------------------------	----------------------------

Phoenix Contact 2026 © - all rights reserved  
<https://www.phoenixcontact.com>

Phoenix Contact USA  
586 Fulling Mill Road  
Middletown, PA 17057, United States  
(+717) 944-1300  
[info@phoenixcon.com](mailto:info@phoenixcon.com)