

SAC-5P- 5,0-PUR/AD-2L 180 - Sensor/actuator cable



1444157

<https://www.phoenixcontact.com/us/products/1444157>

Please be informed that the data shown in this PDF document is generated from our online catalog. Please find the complete data in the user documentation. Our general terms of use for downloads are valid.



Sensor/actuator cable, 5-position, PUR halogen-free, black-gray RAL 7021, free cable end, on Valve connector AD (pressure switch), with 2 LEDs, cable length: 5 m

Commercial data

Item number	1444157
Packing unit	1 pc
Minimum order quantity	50 pc
Product key	AF1DBA
GTIN	4046356525541
Weight per piece (including packing)	240.4 g
Weight per piece (excluding packing)	240.4 g
Country of origin	PL

1444157

<https://www.phoenixcontact.com/us/products/1444157>

Technical data

Product properties

Product type	Sensor/actuator cable with valve connector
Number of positions	5
No. of cable outlets	1
Shielded	no
Coding	A

Insulation characteristics

Overvoltage category	III
Degree of pollution	3

Material specifications

Flammability rating according to UL 94	V0
Seal material	TPU
Material housing valve plug	TPU
Contact material	CuSn
Valve plug contact insert material	PA 6
Contact surface material	Sn

Electrical properties

Insulation resistance	$\geq 100 \text{ M}\Omega$
Nominal voltage U_N	24 V AC
	24 V DC
Nominal current I_N	4 A

Signaling

Status display	2 LEDs
Status display present	yes

Connector

Connection 1

Type	free cable end
------	----------------

Connection 2

Type	Valve connector AD (pressure switch)
Material	CuSn (Contact)
	Sn (Contact surface)
	PA 6 (Contact carrier)
	TPU (Housing)

Cable/line

Cable length	5 m
--------------	-----

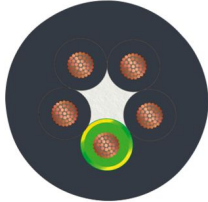
SAC-5P- 5,0-PUR/AD-2L 180 - Sensor/actuator cable



1444157

<https://www.phoenixcontact.com/us/products/1444157>

PUR halogen-free black [PUR]

Dimensional drawing	
Cable weight	44.8 kg/km
UL AWM Style	20549
Number of positions	5
Shielded	no
Cable type	PUR halogen-free black [PUR]
Conductor structure signal line	28x 0.15 mm
AWG signal line	20
Conductor cross-section	5x 0.5 mm ²
Wire diameter incl. insulation	1.5 mm ±0.05 mm (Signal line)
External cable diameter	5.30 mm ±0.02 mm
Outer sheath, material	PUR
External sheath, color	black-gray RAL 7021
Conductor material	Bare Cu litz wires
Material wire insulation	PP
Single wire, color	black 1, black 2, black 3, black 4, green/yellow
Overall twist	5 cores, twisted
Max. conductor resistance	39 Ω/km (at 20 °C)
Insulation resistance	min. 20 MΩ*km
Nominal voltage, cable	≤ 300 V
Test voltage	≥ 1200 V
Minimum bending radius, fixed installation	5 x D
Minimum bending radius, flexible installation	10 x D
Smallest bending radius, fixed installation	26.5 mm
Smallest bending radius, movable installation	53 mm
Dynamic load capacity (bending)	Max. bending cycles: 15000000, Bending radius: 50 mm, Traversing path: 0.9 m, Traversing rate: 5 m/s, Acceleration: 30 m/s ²
Halogen-free	in accordance with DIN VDE 0472 part 815
Flame resistance	in accordance with DIN UL-Style 20549
Resistance to oil	in accordance with DIN EN 60811-2-1
Other resistance	Highly resistant to acids, alkaline solutions and solvents hydrolysis and microbe resistant largely oil-resistant partly UV-resistant (in accordance with DIN EN ISO 4892-2-A)
	Flexible cable conduit capable

SAC-5P- 5,0-PUR/AD-2L 180 - Sensor/actuator cable



1444157

<https://www.phoenixcontact.com/us/products/1444157>

Special properties	Silicone-free
	Free of substances which would hinder coating with paint or varnish
Ambient temperature (operation)	-40 °C ... 80 °C (cable, fixed installation)
	-20 °C ... 80 °C (Cable, flexible installation)

Environmental and real-life conditions

Ambient conditions

Degree of protection	IP65
	IP67
Ambient temperature (operation)	-20 °C ... 85 °C (Valve connector)
	-40 °C ... 80 °C (cable, fixed installation)
	-15 °C ... 80 °C (Cable, flexible installation)

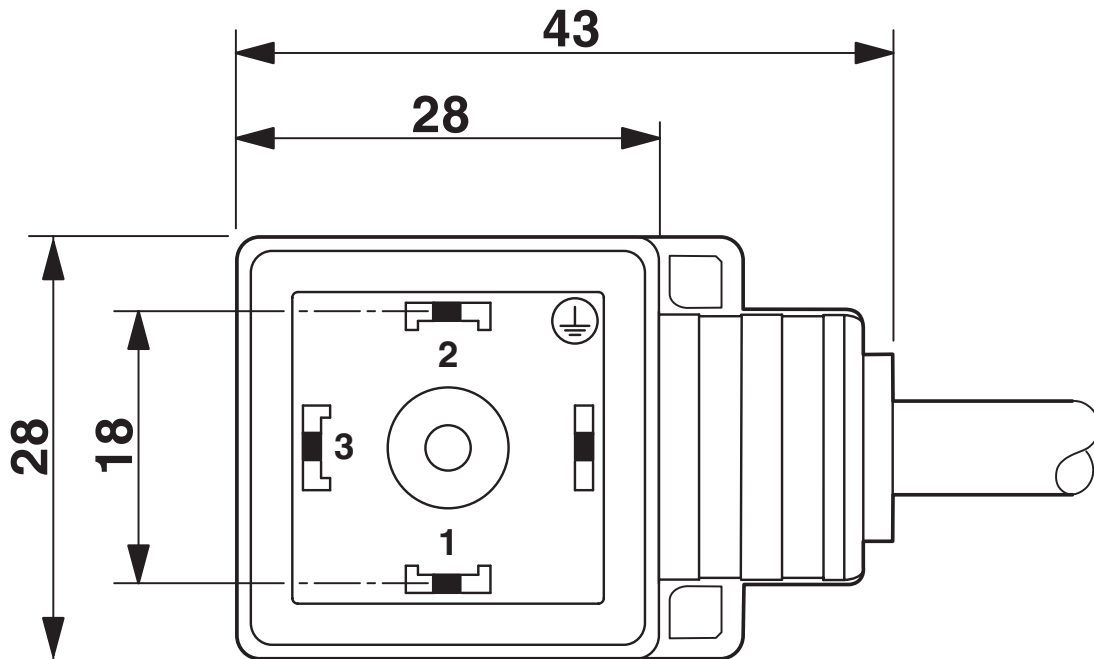
Standards and regulations

Valve connector

Standard designation	Valve connector
Standards/specifications	EN 175301-803

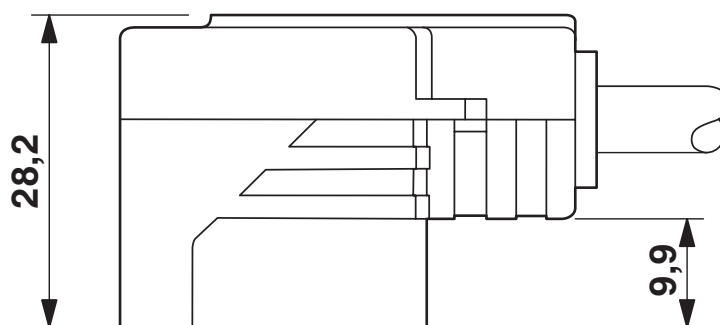
Drawings

Dimensional drawing



Valve connector, type AD

Dimensional drawing



Valve connector, type AD, side view

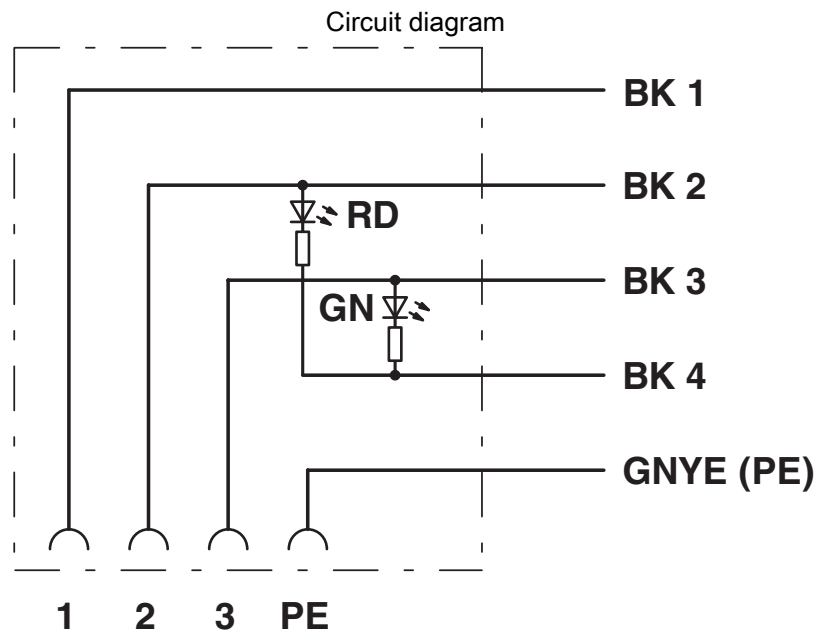
1444157

<https://www.phoenixcontact.com/us/products/1444157>

Schematic diagram



Valve plug connector pin assignment, type AD



Contact assignment of valve connector

SAC-5P- 5,0-PUR/AD-2L 180 - Sensor/actuator cable



1444157

<https://www.phoenixcontact.com/us/products/1444157>

Classifications

ECLASS

ECLASS-13.0	27060312
ECLASS-15.0	27060312

1444157

<https://www.phoenixcontact.com/us/products/1444157>

Environmental product compliance

EU RoHS

Fulfills EU RoHS substance requirements	Yes, No exemptions
-----------------------------------------	--------------------

China RoHS

Environment friendly use period (EFUP)	EFUP-50
	An article-related China RoHS declaration table can be found in the download area for the respective article under "Manufacturer declaration". For all articles with EFUP-E, no China RoHS declaration table issued and required.

EU REACH SVHC

REACH candidate substance (CAS No.)	No substance above 0.1 wt%
-------------------------------------	----------------------------

Phoenix Contact 2026 © - all rights reserved

<https://www.phoenixcontact.com>

Phoenix Contact USA
586 Fulling Mill Road
Middletown, PA 17057, United States
(+717) 944-1300
info@phoenixcon.com