

# SACC-M12FS-4QO-0,34-VA - Connector



1440766

<https://www.phoenixcontact.com/us/products/1440766>

Please be informed that the data shown in this PDF document is generated from our online catalog. Please find the complete data in the user documentation. Our general terms of use for downloads are valid.



Connector, Universal, 4-position, Socket straight M12, coding: A, Insulation displacement connection, knurl material: Stainless steel 1.4404, external cable diameter 3.5 mm ... 6 mm

## Your advantages

- Safe use in the field, thanks to a high degree of protection
- Insulation displacement connection: innovative and time-saving assembly without stripping the single wire

## Commercial data

Item number	1440766
Packing unit	1 pc
Minimum order quantity	1 pc
Sales key	BF31
Product key	AF2CCA
GTIN	4046356517027
Weight per piece (including packing)	16 g
Weight per piece (excluding packing)	16.3 g
Customs tariff number	85366990
Country of origin	DE

# SACC-M12FS-4QO-0,34-VA - Connector



1440766

<https://www.phoenixcontact.com/us/products/1440766>

## Technical data

### Notes

Assembly note	<b>NOTE:</b> Observe the permissible bending radii when routing cables, since the degree of protection may be at risk if the bending forces are too high. Reduce mechanical loads upstream of the connector, e.g., by using cable ties.
---------------	-----------------------------------------------------------------------------------------------------------------------------------------------------------------------------------------------------------------------------------------

### Mounting

Assembly note	AWG 20 conductor cross-section upon request
---------------	---------------------------------------------

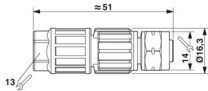
### Product properties

Product type	Circular connector (cable-side)
Sensor type	Universal
Number of positions	4
No. of cable outlets	1
Shielded	no
Coding	A
Cable outlet	straight

### Insulation characteristics

Overvoltage category	III
Degree of pollution	3

### Dimensions

Dimensional drawing	
Length	51 mm
Wrench size, union nut	13 mm

### External dimensions

Outside diameter	3.5 mm ... 6 mm
------------------	-----------------

### Housing

Diameter housing	16.3 mm
------------------	---------

### Material specifications

Flammability rating according to UL 94	V0
Seal material	Neoprene FKM
Material of grip body	PA 6

# SACC-M12FS-4QO-0,34-VA - Connector



1440766

<https://www.phoenixcontact.com/us/products/1440766>

Contact material	CuSn
Contact surface material	Ni/Au
Contact carrier material	TPU
Material for screw connection	Stainless steel 1.4404
Wire insulation material	PVC / PE / PP / rubber

## Connection data

### Conductor connection

Connection method	Insulation displacement connection
Connection cross section	0.14 mm <sup>2</sup> ... 0.34 mm <sup>2</sup>
Connection cross section AWG	26 ... 22
Tightening torque	0.4 Nm (M12 knurl)
	1.2 Nm (Pressure nut)

### Connection assignment

Contact   Color (signal designation)   Contact (optional)	1 = BN
	2 = WH
	3 = BU
	4 = BK

## Electrical properties

Rated surge voltage	2.5 kV
Contact resistance	≤ 5 mΩ
Insulation resistance	≥ 100 MΩ
Nominal voltage U <sub>N</sub>	125 V AC
	125 V DC
Nominal current I <sub>N</sub>	4 A

## Mechanical properties

### Mechanical data

Insertion/withdrawal cycles	≥ 100
-----------------------------	-------

## Connector

### Connection 1

Head design	Socket
Head cable outlet	straight
Head thread type	M12
Coding	A

## Cable/line

Signal type/category	Universal
External cable diameter	3.5 mm ... 6 mm

## Environmental and real-life conditions

# SACC-M12FS-4QO-0,34-VA - Connector



1440766

<https://www.phoenixcontact.com/us/products/1440766>

## Ambient conditions

Degree of protection	IP65
	IP67
Ambient temperature (operation) (male connector/female connector)	-25 °C ... 80 °C (Plug / socket)
Ambient temperature (assembly)	-5 °C ... 50 °C (During assembly)

## Standards and regulations

### M12

Standard designation	M12 connector
Standards/specifications	according to IEC 61076-2-101

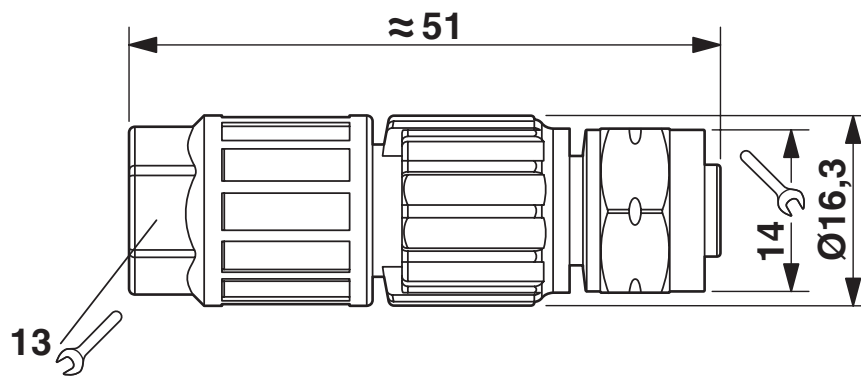
# SACC-M12FS-4QO-0,34-VA - Connector

1440766

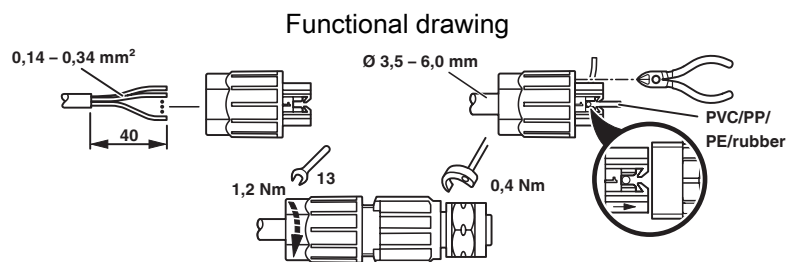
<https://www.phoenixcontact.com/us/products/1440766>

## Drawings

### Dimensional drawing



M12 socket, straight,  
QUICKON connection: 0.14 mm<sup>2</sup> ... 0.34 mm<sup>2</sup>



# SACC-M12FS-4QO-0,34-VA - Connector

1440766

<https://www.phoenixcontact.com/us/products/1440766>

Schematic diagram



Pin assignment M12 socket, 4-pos., A-coded, view female side

# SACC-M12FS-4QO-0,34-VA - Connector



1440766

<https://www.phoenixcontact.com/us/products/1440766>

## Approvals

🔗 To download certificates, visit the product detail page: <https://www.phoenixcontact.com/us/products/1440766>

**DNV**

Approval ID: TAE00002K4

# SACC-M12FS-4QO-0,34-VA - Connector



1440766

<https://www.phoenixcontact.com/us/products/1440766>

## Classifications

### ECLASS

ECLASS-13.0	27440116
ECLASS-15.0	27440116

### ETIM

ETIM 10.0	EC002635
-----------	----------

### UNSPSC

UNSPSC 21.0	39121400
-------------	----------

# SACC-M12FS-4QO-0,34-VA - Connector



1440766

<https://www.phoenixcontact.com/us/products/1440766>

## Environmental product compliance

### EU RoHS

Fulfills EU RoHS substance requirements	Yes, No exemptions
-----------------------------------------	--------------------

### China RoHS

Environment friendly use period (EFUP)	EFUP-E
	No hazardous substances above the limits

### EU REACH SVHC

REACH candidate substance (CAS No.)	No substance above 0.1 wt%
-------------------------------------	----------------------------

### EF3.1 Climate Change

CO2e kg	0.761 kg CO2e
---------	---------------

Phoenix Contact 2026 © - all rights reserved  
<https://www.phoenixcontact.com>

Phoenix Contact USA  
586 Fulling Mill Road  
Middletown, PA 17057, United States  
(+717) 944-1300  
[info@phoenixcon.com](mailto:info@phoenixcon.com)