

SACC-M12FS-5CON-DM 5-8 SH VA - Connector



1440041

<https://www.phoenixcontact.com/us/products/1440041>

Please be informed that the data shown in this PDF document is generated from our online catalog. Please find the complete data in the user documentation. Our general terms of use for downloads are valid.



Connector, 5-position, shielded, Socket straight M12, coding: A, Screw connection, knurl material: Stainless steel 1.4404, cable gland M16, external cable diameter 5.5 mm ... 8.6 mm

Your advantages

- Safe use in the field, thanks to a high degree of protection
- Screw connection: proven connection technology for a large selection of different conductors
- Reliable signal transmission – 360° shielding in environments with electromagnetic interference

Commercial data

Item number	1440041
Packing unit	1 pc
Minimum order quantity	1 pc
Sales key	BF30
Product key	AF2CBA
GTIN	4046356481373
Weight per piece (including packing)	62.17 g
Weight per piece (excluding packing)	61.4 g
Customs tariff number	85366990
Country of origin	DE

1440041

<https://www.phoenixcontact.com/us/products/1440041>

Technical data

Notes

Assembly note	NOTE: Observe the permissible bending radii when routing cables, since the degree of protection may be at risk if the bending forces are too high. Reduce mechanical loads upstream of the connector, e.g., by using cable ties.
---------------	---

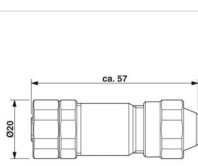
Product properties

Product type	Circular connector (cable-side)
Number of positions	5
No. of cable outlets	1
Shielded	yes
Coding	A
Cable outlet	straight
Pg screw connection	M16

Insulation characteristics

Overvoltage category	II
Degree of pollution	3

Dimensions

Dimensional drawing	
Length	57 mm

External dimensions

Outside diameter	5.5 mm ... 8.6 mm
------------------	-------------------

Housing

Diameter housing	20 mm
------------------	-------

Material specifications

Flammability rating according to UL 94	V0
Seal material	FKM
Material of grip body	Stainless steel 1.4404
Contact material	CuZn
Contact surface material	Au
Contact carrier material	PA
Material for screw connection	Stainless steel 1.4404

Connection data

SACC-M12FS-5CON-DM 5-8 SH VA - Connector



1440041

<https://www.phoenixcontact.com/us/products/1440041>

Conductor connection

Connection method	Screw connection
Connection cross section	0.25 mm ² ... 0.75 mm ² (without ferrule)
	0.14 mm ² ... 0.75 mm ² (with ferrule)
	0.25 mm ² ... 0.75 mm ² (solid)
Connection cross section AWG	24 ... 18 (without ferrule)
	26 ... 20 (with ferrule)
Stripping length of the individual wire	5 mm
Tightening torque	0.4 Nm (M12 knurl)
	0.2 Nm (Screw terminal blocks)
	0.8 Nm ... 1 Nm (Pressure nut with sleeve housing with 4 mm ... 8 mm external cable diameter)
	1 Nm ... 1.4 Nm (Pressure nut with sleeve housing with 8 mm ... 12 mm external cable diameter)

Electrical properties

Rated surge voltage	1.5 kV
Contact resistance	≤ 3 mΩ
Insulation resistance	≥ 100 MΩ
Nominal voltage U _N	48 V AC
	60 V DC
Nominal current I _N	4 A

Mechanical properties

Mechanical data

Insertion/withdrawal cycles	≥ 100
-----------------------------	-------

Connector

Connection 1

Head design	Socket
Head cable outlet	straight
Head thread type	M12
Coding	A

Cable/line

Stripping length of the individual wire	5 mm
---	------

Environmental and real-life conditions

Ambient conditions

Degree of protection	IP65
	IP67
	IP69K
Ambient temperature (operation) (male connector/female)	-40 °C ... 85 °C (Plug / socket)

SACC-M12FS-5CON-DM 5-8 SH VA - Connector



1440041

<https://www.phoenixcontact.com/us/products/1440041>

connector)

Standards and regulations

M12

Standard designation	M12 connector
Standards/specifications	IEC 61076-2-101

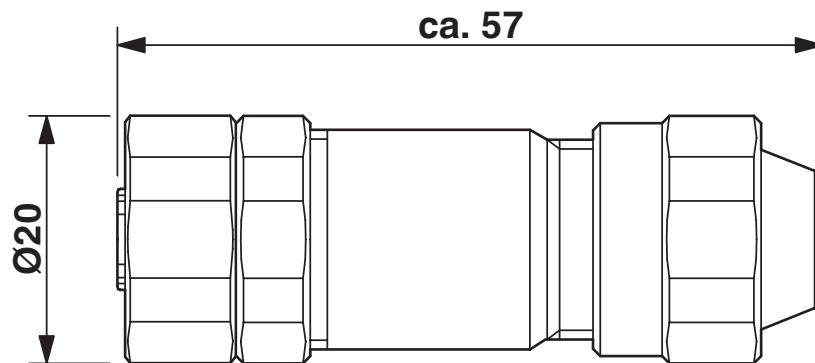
SACC-M12FS-5CON-DM 5-8 SH VA - Connector

1440041

<https://www.phoenixcontact.com/us/products/1440041>

Drawings

Dimensional drawing



M12 x 1 socket, straight, shielded

Schematic diagram



Pin assignment M12 socket, 5-pos., A-coded, socket side view

SACC-M12FS-5CON-DM 5-8 SH VA - Connector

1440041

<https://www.phoenixcontact.com/us/products/1440041>



Schematic diagram



Cable connection side M12 (screw connection)

SACC-M12FS-5CON-DM 5-8 SH VA - Connector



1440041

<https://www.phoenixcontact.com/us/products/1440041>

Approvals

To download certificates, visit the product detail page: <https://www.phoenixcontact.com/us/products/1440041>

DNV

Approval ID: TAE00002K4



cUL Recognized

Approval ID: FILE E 221474

	Nominal voltage U_N	Nominal current I_N	Cross section AWG	Cross section mm^2
keine				
	60 V	4 A	-	-



UL Recognized

Approval ID: FILE E 221474

	Nominal voltage U_N	Nominal current I_N	Cross section AWG	Cross section mm^2
keine				
	60 V	4 A	-	-

SACC-M12FS-5CON-DM 5-8 SH VA - Connector



1440041

<https://www.phoenixcontact.com/us/products/1440041>

Classifications

ECLASS

ECLASS-13.0	27440116
ECLASS-15.0	27440116

ETIM

ETIM 10.0	EC002635
-----------	----------

UNSPSC

UNSPSC 21.0	39121400
-------------	----------

1440041

<https://www.phoenixcontact.com/us/products/1440041>

Environmental product compliance

EU RoHS

Fulfills EU RoHS substance requirements	Yes
Exemption	6(c)

China RoHS

Environment friendly use period (EFUP)	EFUP-50
	An article-related China RoHS declaration table can be found in the download area for the respective article under "Manufacturer declaration". For all articles with EFUP-E, no China RoHS declaration table issued and required.

EU REACH SVHC

REACH candidate substance (CAS No.)	Lead(CAS: 7439-92-1)
SCIP	613b8958-e7d7-4944-b61d-ae85633ac059

Phoenix Contact 2026 © - all rights reserved

<https://www.phoenixcontact.com>

Phoenix Contact USA
586 Fulling Mill Road
Middletown, PA 17057, United States
(+717) 944-1300
info@phoenixcon.com