

SACC-DSIV-MS-4CON-L180 SCO THR - Device connector rear mounting



1439971

<https://www.phoenixcontact.com/us/products/1439971>

Please be informed that the data shown in this PDF document is generated from our online catalog. Please find the complete data in the user documentation. Our general terms of use for downloads are valid.



Sensor/actuator flush-type connector, connector, 4-pos., M12 SPEEDCON, A-coded, rear/screw mounting with M12 thread, with straight THR solder connection

Commercial data

Item number	1439971
Packing unit	60 pc
Minimum order quantity	60 pc
Note	Made to order (non-returnable)
Sales key	AB23
Product key	ABQYAA
GTIN	4046356476676
Weight per piece (including packing)	8.27 g
Weight per piece (excluding packing)	8.27 g
Customs tariff number	85366990
Country of origin	DE

SACC-DSIV-MS-4CON-L180 SCO THR - Device connector rear mounting



1439971

<https://www.phoenixcontact.com/us/products/1439971>

Technical data

Product properties

Product type	Circular connectors (device side)
Number of positions	4
Shielded	no
Coding	A

Insulation characteristics

Overvoltage category	II
Degree of pollution	3

Material specifications

Material Housing	GD-Zn
Material Housing surface	Ni
Material Contact	CuZn
Material Contact surface	Ni
Material Insulating body	PA 6T/66
Material Seal	FKM / EPDM
Flammability rating according to UL 94	HB

Electrical properties

Contact resistance	$\leq 3 \text{ m}\Omega$
Insulation resistance	$\geq 100 \text{ M}\Omega$
Nominal voltage U_N	250 V
Nominal current I_N	4 A

Connection data

Conductor connection

Connection method	THR solder connection
-------------------	-----------------------

Connector

Connection 1

Head design	Plug
Head cable outlet	straight
Head thread type	M12
Head locking type	SPEEDCON
Coding	A

Environmental and real-life conditions

Ambient conditions

SACC-DSIV-MS-4CON-L180 SCO THR - Device connector rear mounting



1439971

<https://www.phoenixcontact.com/us/products/1439971>

Degree of protection	IP67
Ambient temperature (operation) (male connector/female connector)	-25 °C ... 85 °C (Plug / socket)

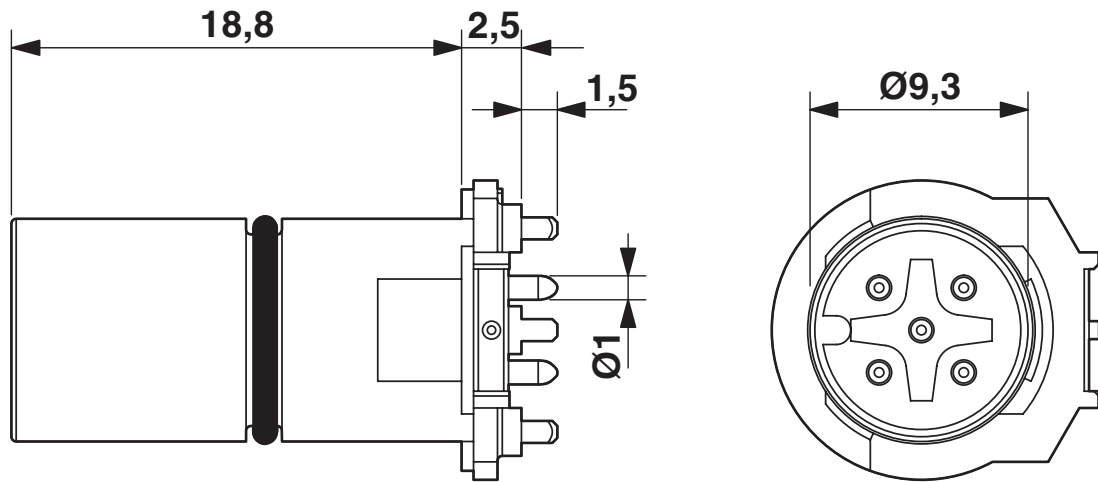
SACC-DSIV-MS-4CON-L180 SCO THR - Device connector rear mounting

1439971

<https://www.phoenixcontact.com/us/products/1439971>

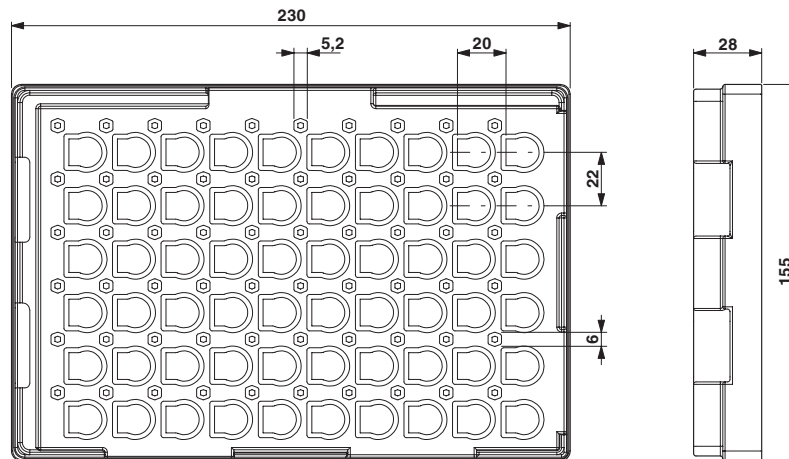
Drawings

Dimensional drawing



M12 flush-type connector

Dimensional drawing



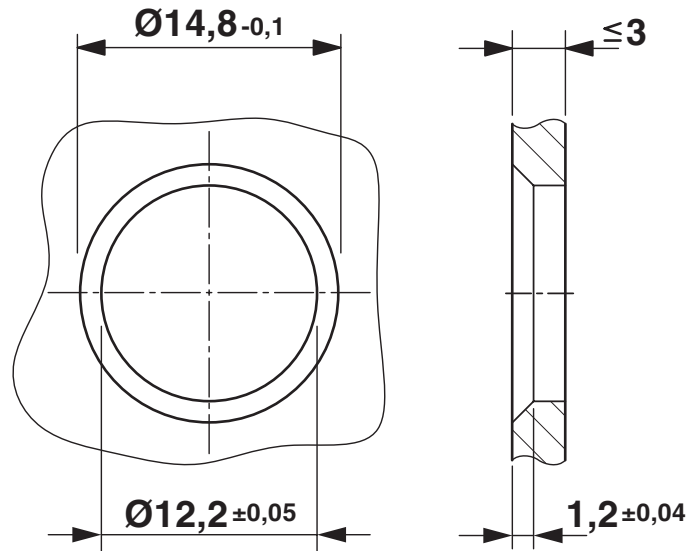
THR tray packaging

SACC-DSIV-MS-4CON-L180 SCO THR - Device connector rear mounting

1439971

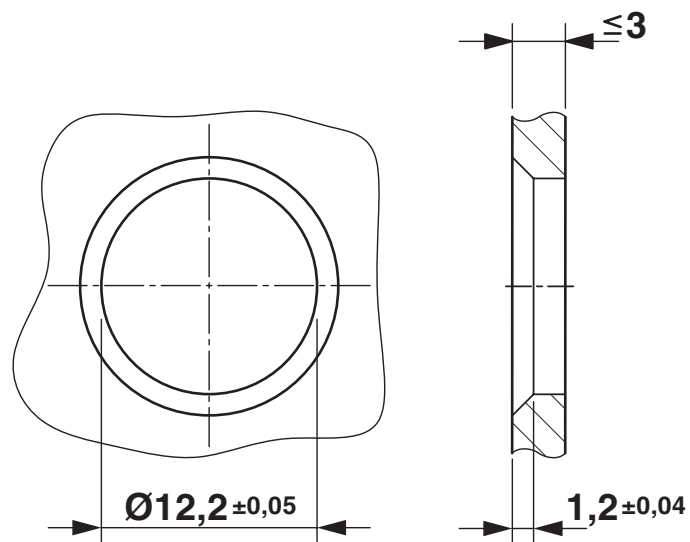
<https://www.phoenixcontact.com/us/products/1439971>

Dimensional drawing



Housing cut-out for two-part M12 flush-type connectors with THR and wave soldering connection, version 1

Dimensional drawing

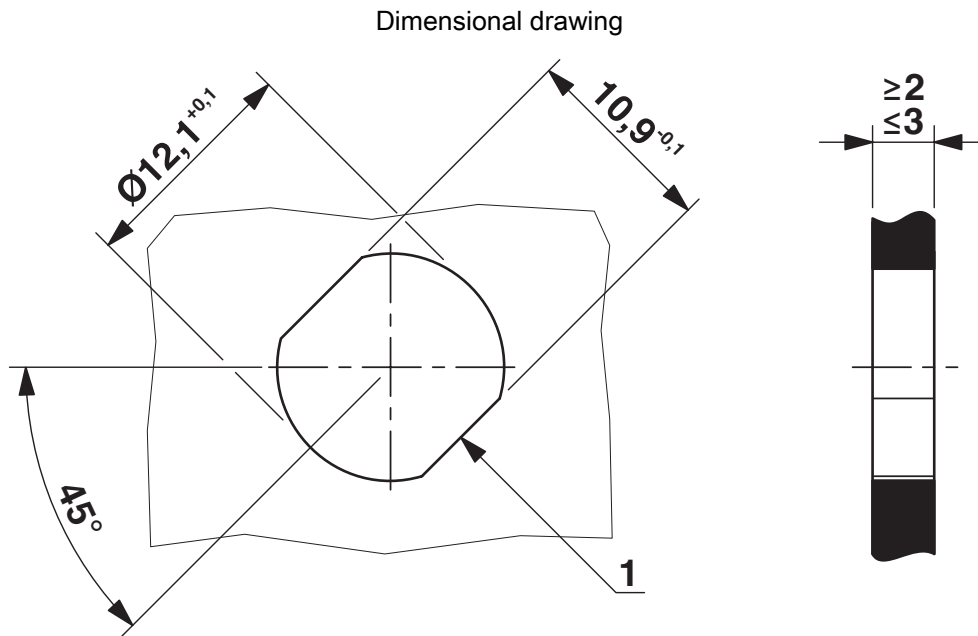


Housing cut-out for two-part M12 flush-type connectors with THR and wave soldering connection, version 2

SACC-DSIV-MS-4CON-L180 SCO THR - Device connector rear mounting

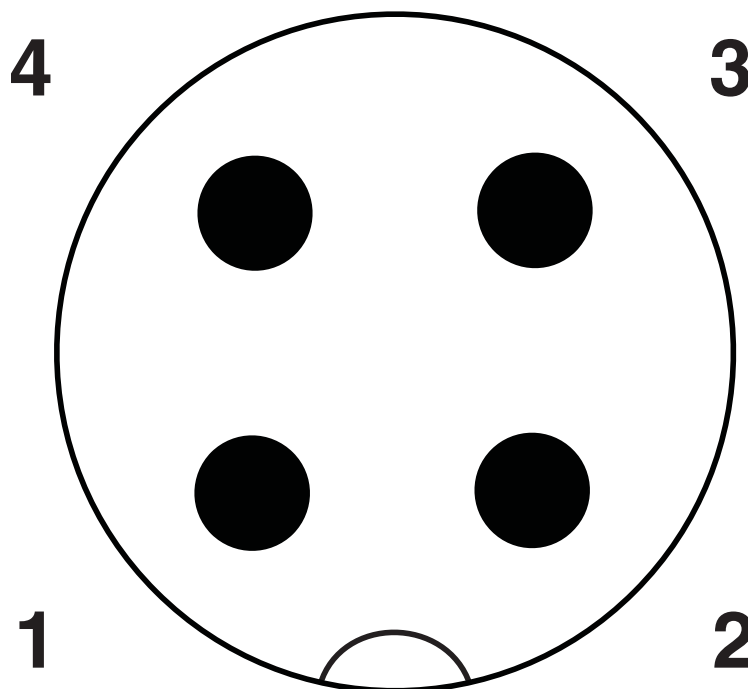
1439971

<https://www.phoenixcontact.com/us/products/1439971>



Housing cutout for M12 fastening thread, mounting panel with feed-through hole (alternative with surface as protection against rotation)

Schematic diagram



Pin assignment M12 plug, 4-pos., A-coded, view plug side

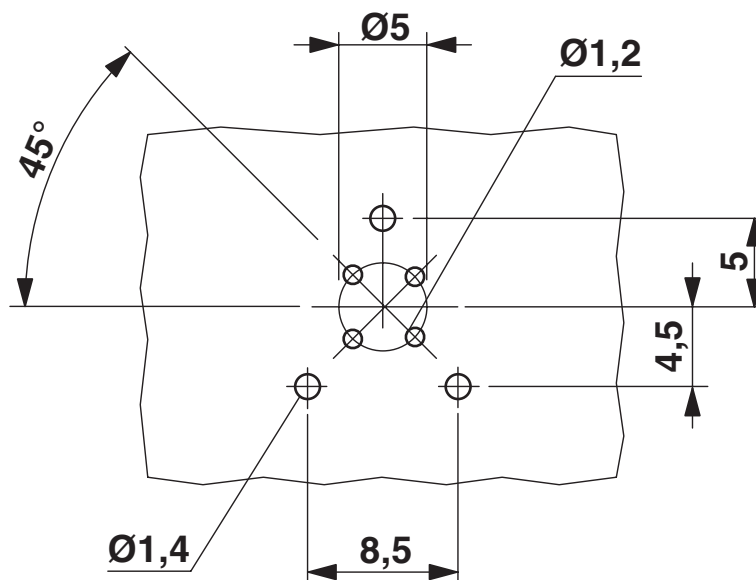
SACC-DSIV-MS-4CON-L180 SCO THR - Device connector rear mounting



1439971

<https://www.phoenixcontact.com/us/products/1439971>

Drilling plan/solder pad geometry



SACC-DSIV-MS-4CON-L180 SCO THR - Device connector rear mounting



1439971

<https://www.phoenixcontact.com/us/products/1439971>

Classifications

UNSPSC

UNSPSC 21.0	39121400
-------------	----------

SACC-DSIV-MS-4CON-L180 SCO THR - Device connector rear mounting



1439971

<https://www.phoenixcontact.com/us/products/1439971>

Environmental product compliance

EU RoHS

Fulfills EU RoHS substance requirements	Yes
Exemption	6(c)

China RoHS

Environment friendly use period (EFUP)	EFUP-50
	An article-related China RoHS declaration table can be found in the download area for the respective article under "Manufacturer declaration". For all articles with EFUP-E, no China RoHS declaration table issued and required.

EU REACH SVHC

REACH candidate substance (CAS No.)	Lead(CAS: 7439-92-1)
-------------------------------------	----------------------

Phoenix Contact 2026 © - all rights reserved
<https://www.phoenixcontact.com>

Phoenix Contact USA
586 Fulling Mill Road
Middletown, PA 17057, United States
(+717) 944-1300
info@phoenixcon.com