

SACB-8/ 8-L-PUR SCO OTB 1,5M - Distributor box



1437245

<https://www.phoenixcontact.com/us/products/1437245>

Please be informed that the data shown in this PDF document is generated from our online catalog. Please find the complete data in the user documentation. Our general terms of use for downloads are valid.

Distributor box, application: Standard, extended requirements, connection method: M12 socket Metal, number of slots: 8, number of positions: 4, coding: A, slot assignment: single, status display: yes, PNP; master cable connection: Rear master cable connection 270°, PVC, cable length: 1.5 m, shielding: no



Similar to figure, housing is black, contact carriers are green

Your advantages

- Safety in the field, thanks to molded housing and high degree of protection
- Convenient: increased machine availability thanks to quick and easy diagnostics
- Save time, thanks to installation with SPEEDCON fast locking system
- Easy PLC system cabling, thanks to master connection on the back

Commercial data

| | |
|--------------------------------------|---------------|
| Item number | 1437245 |
| Packing unit | 1 pc |
| Minimum order quantity | 1 pc |
| Sales key | BF42 |
| Product key | AF3CCE |
| GTIN | 4046356455619 |
| Weight per piece (including packing) | 475.8 g |
| Weight per piece (excluding packing) | 444.1 g |
| Customs tariff number | 85444290 |
| Country of origin | DE |

Technical data

Notes

| | |
|---------------------|---|
| Assembly note | NOTE: Observe the permissible bending radii when routing cables, since the degree of protection may be at risk if the bending forces are too high. Reduce mechanical loads upstream of the connector, e.g., by using cable ties. |
| Note on application | Unused slots are to be sealed off prior to commissioning. Suitable sealing elements are to be found under "Accessories". |

Product properties

| | |
|---------------------|---------------------------------|
| Product type | Distributor box |
| Application | Standard, extended requirements |
| Number of positions | 4 |
| Number of slots | 8 |
| Coding | A |
| LED | yes |

System properties

Local diagnostics

| | |
|------------------------|----------------|
| Monitored function | Supply voltage |
| Optical representation | Green LED |

Electrical properties

| | |
|---|-------------------------------|
| Max. operating voltage U_{max} | 30 V DC |
| Local diagnostics | Supply voltage Green LED |
| | Status display I/O Yellow LED |
| Nominal voltage U_N | 24 V DC |
| Rated current, total | 12 A |
| Max. current carrying capacity per path | 2 A |
| Current carrying capacity per slot | 4 A |

Connection data

Conductor connection

| | |
|--|------------|
| Sensor/actuator connection system | M12 socket |
| Tightening torque slot sensor/actuator cable | 0.4 Nm |
| Tightening torque of mounting screw for fixing the housing | 0.5 Nm |

Connection assignment

| | |
|--|----------------|
| Slot/position = Wire color or connection | 1 / 4 (A) = WH |
| | 2 / 4 (A) = GN |
| | 3 / 4 (A) = YE |
| | 4 / 4 (A) = GY |
| | 5 / 4 (A) = PK |

SACB-8/ 8-L-PUR SCO OTB 1,5M - Distributor box



1437245

<https://www.phoenixcontact.com/us/products/1437245>

| | |
|--|-----------------------|
| | 6 / 4 (A) = RD |
| | 7 / 4 (A) = BK |
| | 8 / 4 (A) = VT |
| | 1-8 / 1 (+ 24 V) = BN |
| | 1-8 / 3 (0 V) = BU |
| | 1-8 / 5 (PE) = GNYE |

Signaling

| | |
|------------------------|-----|
| Status display present | yes |
|------------------------|-----|

Dimensions

| | |
|---------------------|--------|
| Dimensional drawing | |
| Width | 58 mm |
| Height | 28 mm |
| Length | 159 mm |

Material specifications

| | |
|---------------------------|---------------|
| Material Threaded sleeve | Die-cast zinc |
| Material Housing | PBT |
| Material Molding compound | PUR |
| Seal material O-ring | NBR |
| Contact material | Cu alloy |
| Contact surface material | gold-plated |
| Contact carrier material | PA |

Cable/line

| | |
|--------------|-------|
| Cable length | 1.5 m |
|--------------|-------|

PUR/PVC black [PUR]

| | |
|---------------------|-------------|
| Dimensional drawing | |
| Cable weight | 107.4 kg/km |

SACB-8/ 8-L-PUR SCO OTB 1,5M - Distributor box



1437245

<https://www.phoenixcontact.com/us/products/1437245>

| | |
|---|--|
| UL AWM Style | 20549 (80°C/300 V) |
| Number of positions | 11 |
| Shielded | no |
| Cable type | PUR/PVC black [PUR] |
| Conductor structure signal line | 19x 0.15 mm |
| AWG signal line | 22 |
| Conductor structure, voltage supply | 42x 0.15 mm |
| AWG power supply | 18 |
| Conductor cross-section | 8x 0.34 mm ² (Signal line) 3x 0.75 mm ² (power line) |
| Wire diameter incl. insulation | 1.3 mm ±0.1 mm (Signal line) 1.8 mm ±0.1 mm (power line) |
| External cable diameter | 8.50 mm ±0.2 mm |
| Outer sheath, material | PUR |
| External sheath, color | black RAL 9005 |
| Conductor material | Bare Cu litz wires |
| Material wire insulation | PVC |
| Single wire, color | brown, blue, green/yellow, white, green, yellow, gray, pink, red, black, violet |
| Inner sheath thickness | ≥ 0.15 mm |
| Thickness, outer sheath | ≥ 0.38 mm |
| Overall twist | Wires twisted in layers |
| Max. conductor resistance | ≤ 53 Ω/km (Signal line) ≤ 26 Ω/km (power line) |
| Insulation resistance | ≥ 5 MΩ*km |
| Nominal voltage, cable | 300 V AC |
| Test voltage Core/Core | 2000 V (50 Hz, 5 min.) |
| Minimum bending radius, fixed installation | 7.5 x D |
| Minimum bending radius, flexible installation | 10 x D |
| Smallest bending radius, fixed installation | 64 mm |
| Smallest bending radius, movable installation | 85 mm |
| Dynamic load capacity (bending) | Max. bending cycles: 1500000, Bending radius: 10 x D, Traversing path: 2 m, Traversing rate: 2 m/s |
| Flame resistance | DIN EN 50265 |
| Resistance to oil | according to VDE 0472 Part 803 |
| Other resistance | Highly resistant to acids, alkaline solutions and solvents |
| Special properties | Silicone-free |
| Ambient temperature (operation) | -40 °C ... 90 °C (cable, fixed installation) -5 °C ... 80 °C (Cable, flexible installation) |

Environmental and real-life conditions

Ambient conditions

| | |
|---|-----------------------------------|
| Degree of protection | IP54 (with sealed mounting holes) |
| Ambient temperature (operation) (male connector/female) | -30 °C ... 80 °C |

SACB-8/ 8-L-PUR SCO OTB 1,5M - Distributor box



1437245

<https://www.phoenixcontact.com/us/products/1437245>

| | |
|---|------------------|
| connector) | |
| Ambient temperature (storage/transport) | -30 °C ... 90 °C |

Standards and regulations

M12

| | |
|--------------------------|-----------------|
| Standard designation | M12 connector |
| Standards/specifications | IEC 61076-2-101 |

SACB-8/ 8-L-PUR SCO OTB 1,5M - Distributor box

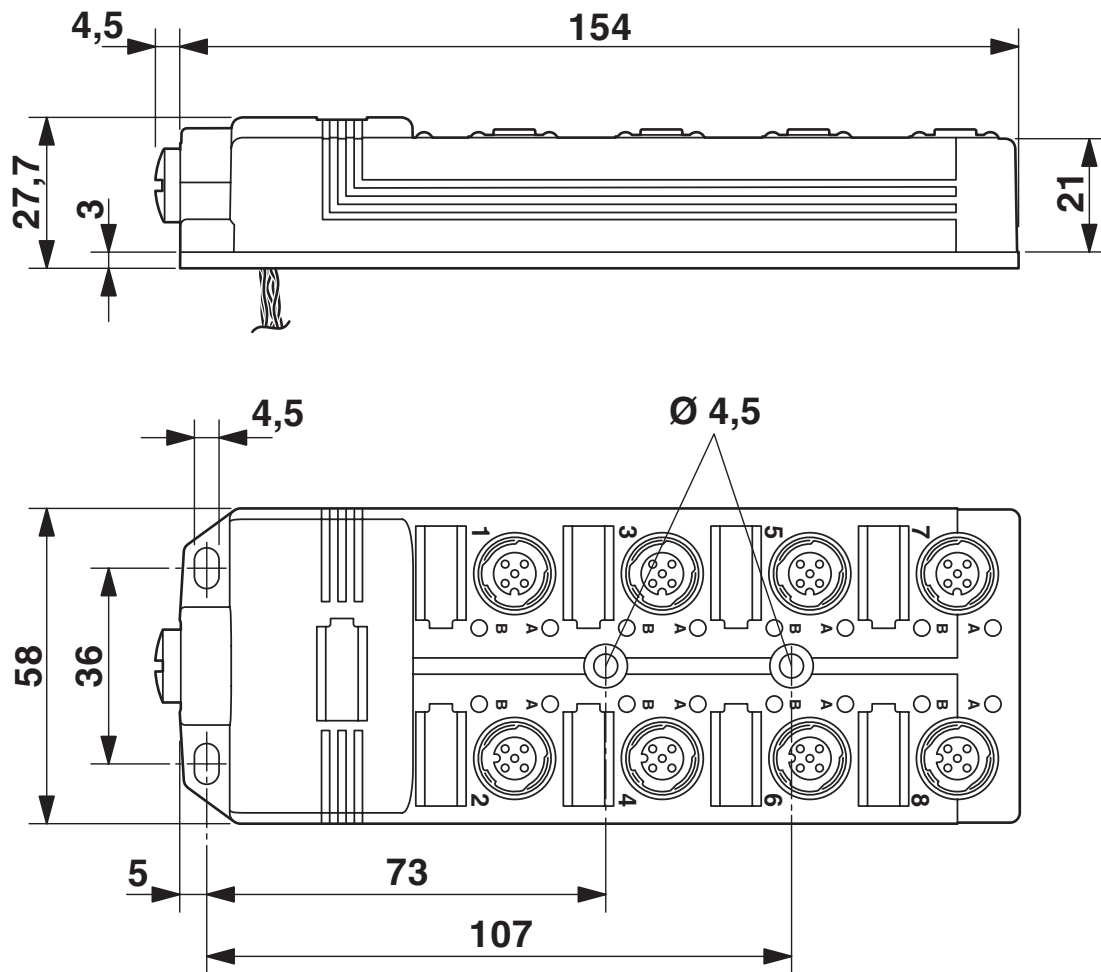


1437245

<https://www.phoenixcontact.com/us/products/1437245>

Drawings

Dimensional drawing



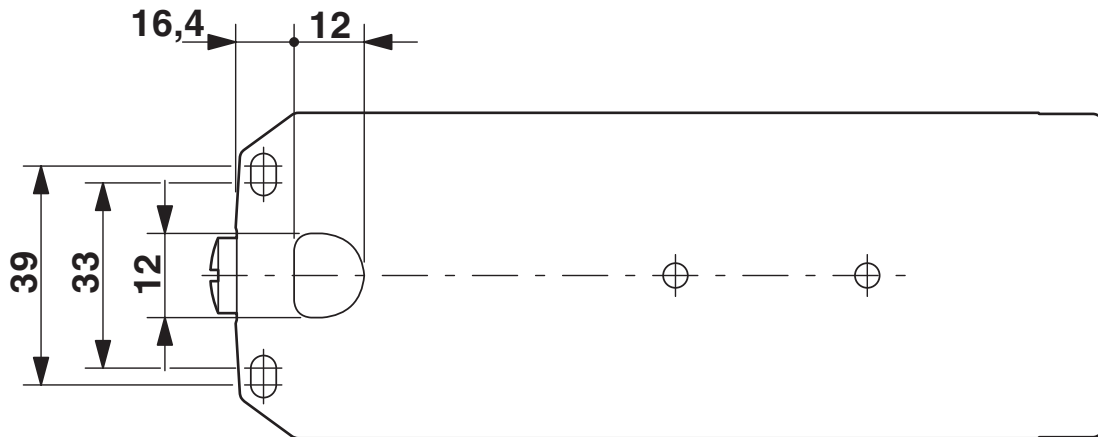
SACB-8/ 8-L-PUR SCO OTB 1,5M - Distributor box



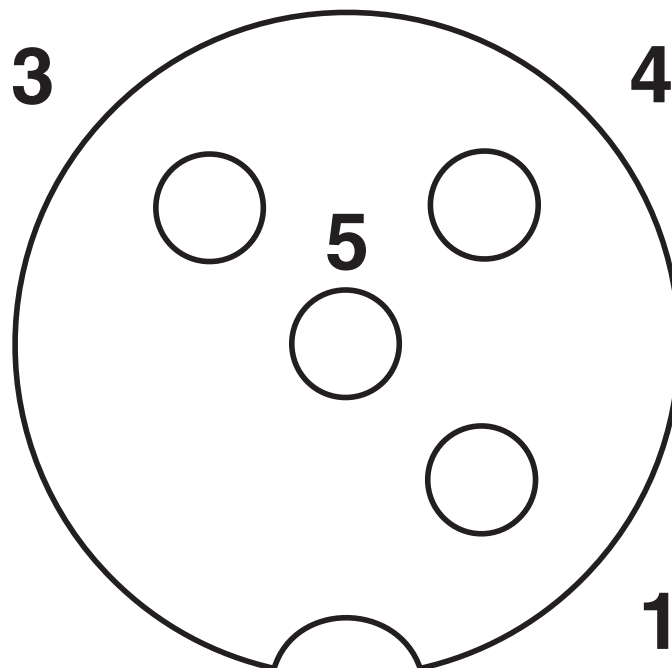
1437245

<https://www.phoenixcontact.com/us/products/1437245>

Dimensional drawing



Schematic diagram



Pin assignment of M12 socket, 4-pos.

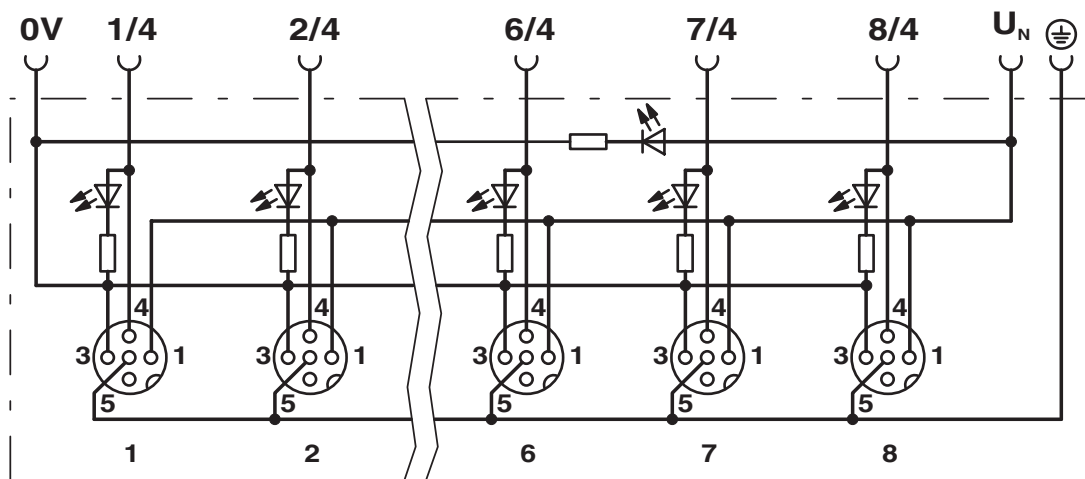
SACB-8/ 8-L-PUR SCO OTB 1,5M - Distributor box



1437245

<https://www.phoenixcontact.com/us/products/1437245>

Circuit diagram



SACB-8/ 8-L-PUR SCO OTB 1,5M - Distributor box



1437245

<https://www.phoenixcontact.com/us/products/1437245>

Classifications

ECLASS

| | |
|-------------|----------|
| ECLASS-13.0 | 27440108 |
| ECLASS-15.0 | 27440108 |

ETIM

| | |
|-----------|----------|
| ETIM 10.0 | EC002585 |
|-----------|----------|

UNSPSC

| | |
|-------------|----------|
| UNSPSC 21.0 | 31251500 |
|-------------|----------|

SACB-8/ 8-L-PUR SCO OTB 1,5M - Distributor box



1437245

<https://www.phoenixcontact.com/us/products/1437245>

Environmental product compliance

EU RoHS

| | |
|---|--------------------|
| Fulfills EU RoHS substance requirements | Yes, No exemptions |
|---|--------------------|

China RoHS

| | |
|--|--|
| Environment friendly use period (EFUP) | EFUP-E |
| | No hazardous substances above the limits |

EU REACH SVHC

| | |
|-------------------------------------|----------------------------|
| REACH candidate substance (CAS No.) | No substance above 0.1 wt% |
|-------------------------------------|----------------------------|

Phoenix Contact 2026 © - all rights reserved
<https://www.phoenixcontact.com>

Phoenix Contact USA
586 Fulling Mill Road
Middletown, PA 17057, United States
(+717) 944-1300
info@phoenixcon.com