

SACC-MSB-2SC SH PB SCO - Data connector



1432842

<https://www.phoenixcontact.com/us/products/1432842>

Please be informed that the data shown in this PDF document is generated from our online catalog. Please find the complete data in the user documentation. Our general terms of use for downloads are valid.



Data connector, PROFIBUS (12 Mbps), 2-position, shielded, Plug straight M12 SPEEDCON, coding: B, Spring-cage connection, knurl material: Zinc die-cast, nickel-plated, external cable diameter 4 mm ... 8 mm

Your advantages

- Safe use in the field, thanks to a high degree of protection
- Save time, thanks to installation with SPEEDCON fast locking system
- Spring-cage connection: connect more securely, even in the case of shock and vibration, thanks to high contact forces
- Reliable signal transmission – 360° shielding in environments with electromagnetic interference

Commercial data

Item number	1432842
Packing unit	1 pc
Minimum order quantity	1 pc
Note	Made to order (non-returnable)
Sales key	BF33
Product key	AF2CFC
GTIN	4046356348492
Weight per piece (including packing)	37.6 g
Weight per piece (excluding packing)	37.6 g
Customs tariff number	85366990
Country of origin	DE

1432842

<https://www.phoenixcontact.com/us/products/1432842>

Technical data

Mounting

Assembly note	AWG 18 wire cross section upon request
	The wires can be connected both with ferrules and without ferrules

Product properties

Product type	Circular connector (cable-side)
Sensor type	PROFIBUS
Number of positions	2
No. of cable outlets	1
Shielded	yes
Coding	B

Insulation characteristics

Overvoltage category	II
Degree of pollution	3

Dimensions

External dimensions

Outside diameter	4 mm ... 8 mm
------------------	---------------

Material specifications

Flammability rating according to UL 94	V0
Seal material	NBR
Material of grip body	Zinc die-cast, nickel-plated
Contact material	CuSn
Contact surface material	Ni/Au
Contact carrier material	TPU
Material for screw connection	Zinc die-cast, nickel-plated

Connection data

Conductor connection

Connection method	Spring-cage connection
Connection cross section	0.14 mm ² ... 0.5 mm ²
Connection cross section AWG	26 ... 20
Stripping length of the individual wire	10 mm
Tightening torque	0.4 Nm (M12 knurl)
	0.8 Nm (Connector with coupling sleeve)
	3 Nm (Pressure nut with coupling sleeve)

Electrical properties

Contact resistance	≤ 8 mΩ
--------------------	--------

SACC-MSB-2SC SH PB SCO - Data connector



1432842

<https://www.phoenixcontact.com/us/products/1432842>

Insulation resistance	≥ 100 MΩ
Nominal voltage U _N	60 V DC
	48 V AC
Nominal current I _N	4 A
Transmission speed	12 Mbps

Mechanical properties

Mechanical data

Insertion/withdrawal cycles	≥ 100
-----------------------------	-------

Connector

Connection 1

Head design	Plug
Head cable outlet	straight
Head thread type	M12
Head locking type	SPEEDCON
Coding	B

Cable/line

Signal type/category	PROFIBUS, 12 Mbps
Stripping length of the individual wire	10 mm

Environmental and real-life conditions

Ambient conditions

Degree of protection	IP67
Ambient temperature (operation) (male connector/female connector)	-40 °C ... 85 °C (Plug / socket)

Standards and regulations

M12

Standard designation	M12 connector
Standards/specifications	IEC 61076-2-101
Standard designation	Shock, vibration
Standards/specifications	EN 50155:2001

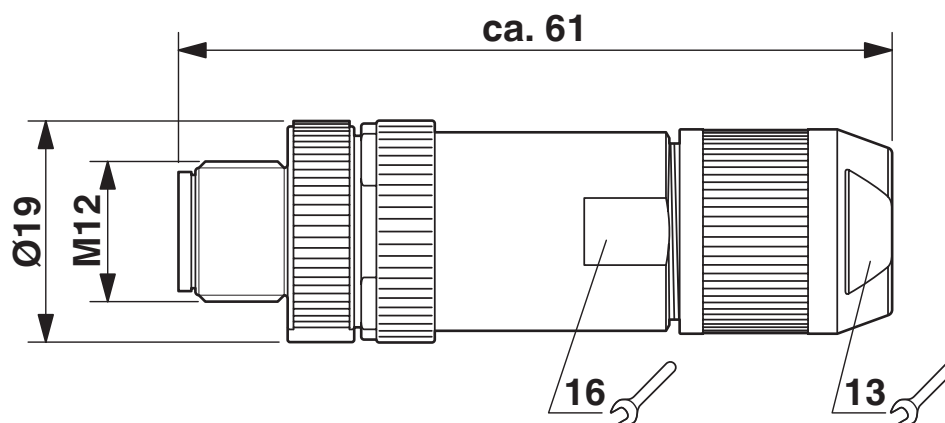
SACC-MSB-2SC SH PB SCO - Data connector

1432842

<https://www.phoenixcontact.com/us/products/1432842>

Drawings

Dimensional drawing



M12 SPEEDCON plug, straight, shielded

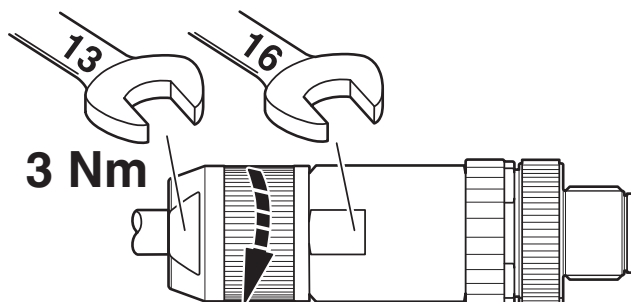
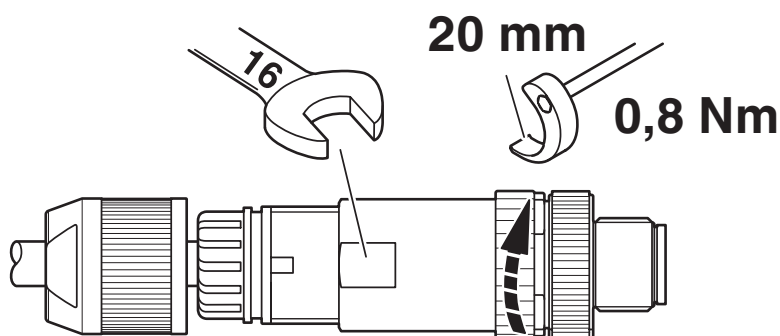
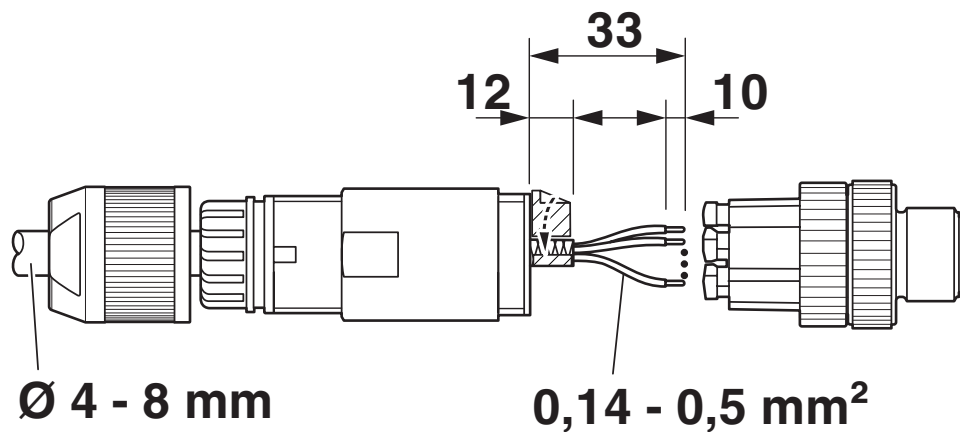
SACC-MSB-2SC SH PB SCO - Data connector



1432842

<https://www.phoenixcontact.com/us/products/1432842>

Functional drawing



Slide the pressure nut and sleeve housing along the cable, strip the cable, shorten the shield, strip the single wires, connect the wires, in the case of a straight sleeve housing gently twist the wires together, stick the shielding foil around the shortened shield, in the case of a cable outside diameter < 6 mm stick an additional shielding foil around the wire pack, screw the sleeve housing to the plug insert, screw the pressure nut tight.

1432842

<https://www.phoenixcontact.com/us/products/1432842>

Schematic diagram



Pin assignment M12 plug, 5-pos., B-coded

SACC-MSB-2SC SH PB SCO - Data connector



1432842

<https://www.phoenixcontact.com/us/products/1432842>

Classifications

ECLASS

ECLASS-13.0	27440116
ECLASS-15.0	27440116

SACC-MSB-2SC SH PB SCO - Data connector



1432842

<https://www.phoenixcontact.com/us/products/1432842>

Environmental product compliance

EU RoHS

Fulfills EU RoHS substance requirements	Yes, No exemptions
---	--------------------

China RoHS

Environment friendly use period (EFUP)	EFUP-E
	No hazardous substances above the limits

EU REACH SVHC

REACH candidate substance (CAS No.)	No substance above 0.1 wt%
-------------------------------------	----------------------------

Phoenix Contact 2026 © - all rights reserved
<https://www.phoenixcontact.com>

Phoenix Contact USA
586 Fulling Mill Road
Middletown, PA 17057, United States
(+717) 944-1300
info@phoenixcon.com