

# SACC-FSB-5SC SH IB SCO - Data connector



1432826

<https://www.phoenixcontact.com/us/products/1432826>

Please be informed that the data shown in this PDF document is generated from our online catalog. Please find the complete data in the user documentation. Our general terms of use for downloads are valid.



Data connector, INTERBUS (500 kbps), 5-position, shielded, Socket straight M12 SPEEDCON, coding: B, Spring-cage connection, knurl material: Zinc die-cast, nickel-plated, external cable diameter 4 mm ... 8 mm

## Your advantages

- Safe use in the field, thanks to a high degree of protection
- Save time, thanks to installation with SPEEDCON fast locking system
- Spring-cage connection: connect more securely, even in the case of shock and vibration, thanks to high contact forces
- Reliable signal transmission – 360° shielding in environments with electromagnetic interference

## Commercial data

|                                      |                                |
|--------------------------------------|--------------------------------|
| Item number                          | 1432826                        |
| Packing unit                         | 1 pc                           |
| Note                                 | Made to order (non-returnable) |
| Sales key                            | BF33                           |
| Product key                          | AF2CFB                         |
| GTIN                                 | 4046356348478                  |
| Weight per piece (including packing) | 42.2 g                         |
| Weight per piece (excluding packing) | 38.46 g                        |
| Customs tariff number                | 85366990                       |
| Country of origin                    | DE                             |

1432826

<https://www.phoenixcontact.com/us/products/1432826>

## Technical data

### Mounting

|               |  |
|---------------|--|
| Assembly note | AWG 18 wire cross section upon request                             |
|               | The wires can be connected both with ferrules and without ferrules |

### Product properties

|                      |                                 |
|----------------------|---------------------------------|
| Product type         | Circular connector (cable-side) |
| Sensor type          | INTERBUS                        |
| Number of positions  | 5                               |
| No. of cable outlets | 1                               |
| Shielded             | yes                             |
| Coding               | B                               |
| Cable outlet         | straight                        |

### Insulation characteristics

|                      |    |
|----------------------|----|
| Overvoltage category | II |
| Degree of pollution  | 3  |

### Dimensions

#### External dimensions

|                  |               |
|------------------|---------------|
| Outside diameter | 4 mm ... 8 mm |
|------------------|---------------|

### Material specifications

|  |                              |
|--|------------------------------|
| Flammability rating according to UL 94 | V0                           |
| Seal material                          | NBR                          |
| Material of grip body                  | Zinc die-cast, nickel-plated |
| Contact material                       | CuSn                         |
| Contact surface material               | Ni/Au                        |
| Contact carrier material               | TPU                          |
| Material for screw connection          | Zinc die-cast, nickel-plated |

### Connection data

#### Conductor connection

|   |  |
|---|--|
| Connection method                       | Spring-cage connection                       |
| Connection cross section                | 0.14 mm <sup>2</sup> ... 0.5 mm <sup>2</sup> |
| Connection cross section AWG            | 26 ... 20                                    |
| Stripping length of the individual wire | 10 mm  |
| Tightening torque                       | 0.4 Nm (M12 knurl)                           |
|   | 0.8 Nm (Connector with coupling sleeve)      |
|   | 3 Nm (Pressure nut with coupling sleeve)     |

### Electrical properties

# SACC-FSB-5SC SH IB SCO - Data connector



1432826

<https://www.phoenixcontact.com/us/products/1432826>

|                                |          |
|--------------------------------|----------|
| Contact resistance             | ≤ 8 mΩ   |
| Insulation resistance          | ≥ 100 MΩ |
| Nominal voltage U <sub>N</sub> | 60 V DC  |
|                                | 48 V AC  |
| Nominal current I <sub>N</sub> | 4 A      |
| Transmission speed             | 500 kbps |

## Mechanical properties

### Mechanical data

|                             |       |
|-----------------------------|-------|
| Insertion/withdrawal cycles | ≥ 100 |
|-----------------------------|-------|

## Connector

### Connection 1

|                   |          |
|-------------------|----------|
| Head design       | Socket   |
| Head cable outlet | straight |
| Head thread type  | M12      |
| Head locking type | SPEEDCON |
| Coding            | B        |

## Cable/line

|   |                    |
|---|--------------------|
| Signal type/category                    | INTERBUS, 500 kbps |
| Stripping length of the individual wire | 10 mm              |

## Environmental and real-life conditions

### Ambient conditions

|   |                                  |
|---|----------------------------------|
| Degree of protection  | IP67                             |
| Ambient temperature (operation) (male connector/female connector) | -40 °C ... 85 °C (Plug / socket) |

## Standards and regulations

### M12

|                          |                  |
|--------------------------|------------------|
| Standard designation     | M12 connector    |
| Standards/specifications | IEC 61076-2-101  |
| Standard designation     | Shock, vibration |
| Standards/specifications | EN 50155:2001    |

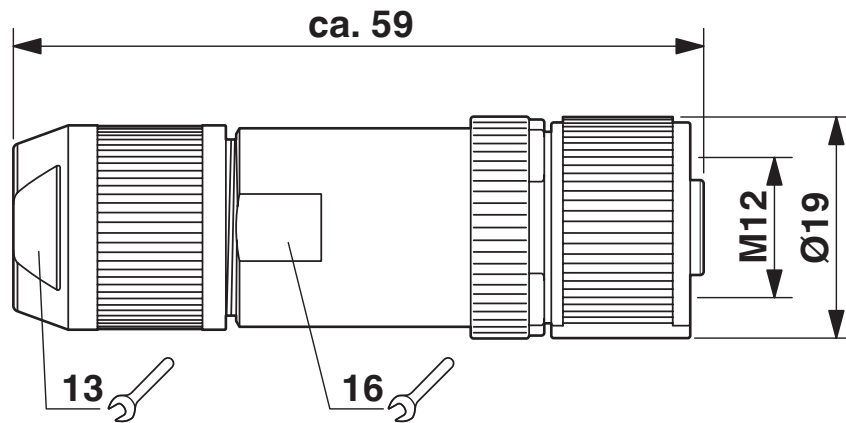
# SACC-FSB-5SC SH IB SCO - Data connector

1432826

<https://www.phoenixcontact.com/us/products/1432826>

## Drawings

Dimensional drawing



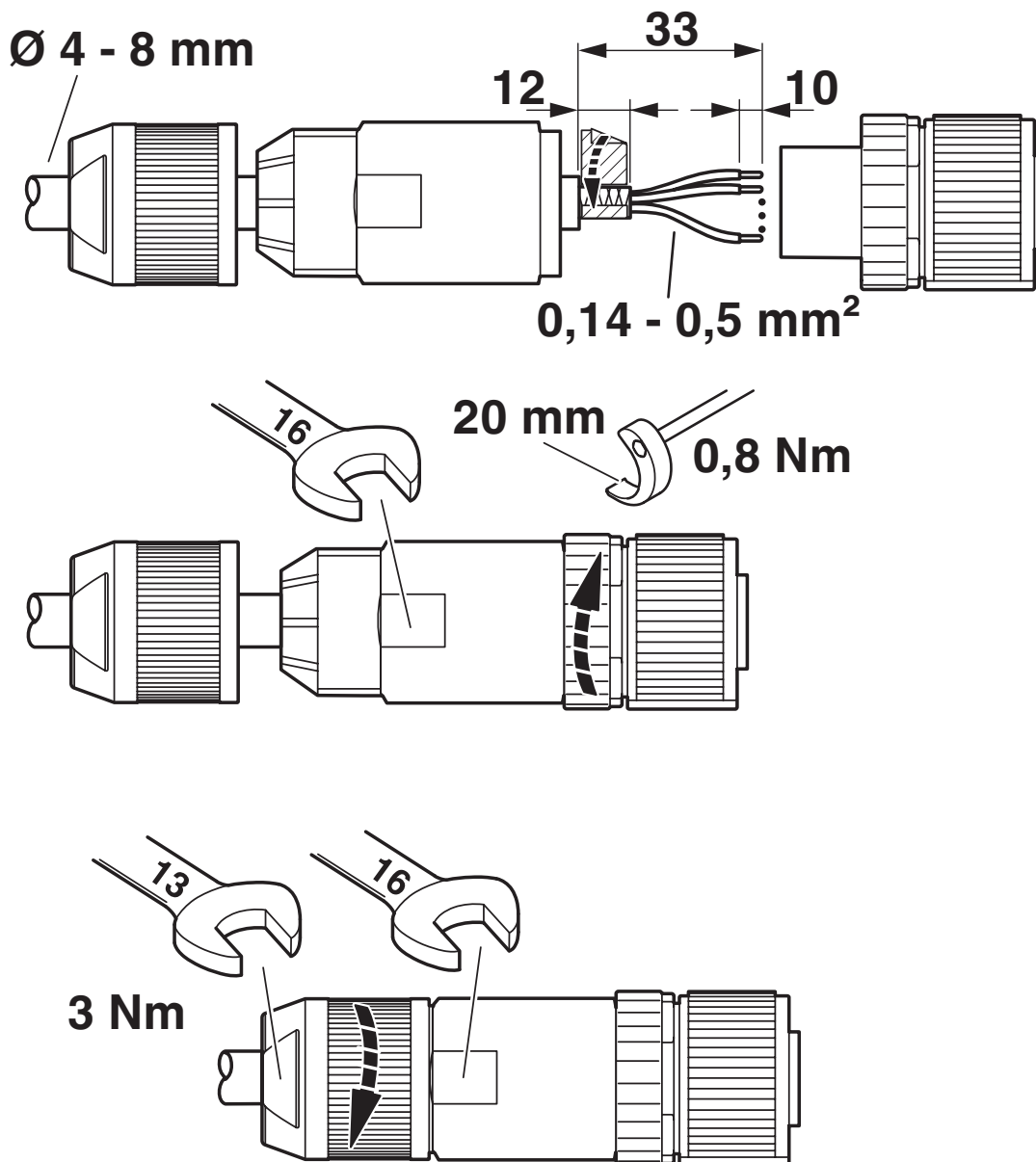
Socket M12-SPEEDCON, straight, shielded

# SACC-FSB-5SC SH IB SCO - Data connector

1432826

<https://www.phoenixcontact.com/us/products/1432826>

Functional drawing



Slide the pressure nut and sleeve housing along the cable, strip the cable, shorten the shield, strip the single wires, connect the wires, in the case of a straight sleeve housing gently twist the wires together, stick the shielding foil around the shortened shield, in the case of a cable outside diameter < 6 mm stick an additional shielding foil around the wire pack, screw the sleeve housing to the plug insert, screw the pressure nut tight.

# SACC-FSB-5SC SH IB SCO - Data connector

1432826

<https://www.phoenixcontact.com/us/products/1432826>



Schematic diagram



Connector pin assignment M12 socket, 5-pos., B-coded

# SACC-FSB-5SC SH IB SCO - Data connector



1432826

<https://www.phoenixcontact.com/us/products/1432826>

## Classifications

### ECLASS

|             |          |
|-------------|----------|
| ECLASS-13.0 | 27440116 |
| ECLASS-15.0 | 27440116 |

# SACC-FSB-5SC SH IB SCO - Data connector



1432826

<https://www.phoenixcontact.com/us/products/1432826>

## Environmental product compliance

### EU RoHS

|   |                    |
|---|--------------------|
| Fulfills EU RoHS substance requirements | Yes, No exemptions |
|---|--------------------|

### China RoHS

|  |  |
|--|--|
| Environment friendly use period (EFUP) | EFUP-E                                   |
|  | No hazardous substances above the limits |

### EU REACH SVHC

|                                     |                            |
|-------------------------------------|----------------------------|
| REACH candidate substance (CAS No.) | No substance above 0.1 wt% |
|-------------------------------------|----------------------------|

Phoenix Contact 2026 © - all rights reserved  
<https://www.phoenixcontact.com>

Phoenix Contact USA  
586 Fulling Mill Road  
Middletown, PA 17057, United States  
(+717) 944-1300  
[info@phoenixcon.com](mailto:info@phoenixcon.com)