

SACC-FR-5SC M SCO - Connector



1432596

<https://www.phoenixcontact.com/us/products/1432596>

Please be informed that the data shown in this PDF document is generated from our online catalog. Please find the complete data in the user documentation. Our general terms of use for downloads are valid.

Connector, 5-position, Socket angled M12 SPEEDCON, coding: A, Spring-cage connection, knurl material: Zinc die-cast, nickel-plated, external cable diameter 4 mm ... 8 mm



Your advantages

- Safe use in the field, thanks to a high degree of protection
- Save time, thanks to installation with SPEEDCON fast locking system
- Spring-cage connection: connect more securely, even in the case of shock and vibration, thanks to high contact forces

Commercial data

Item number	1432596
Packing unit	1 pc
Note	Made to order (non-returnable)
Sales key	BF33
Product key	AF2CEA
GTIN	4046356348287
Weight per piece (including packing)	28.4 g
Weight per piece (excluding packing)	28.4 g
Customs tariff number	85366990
Country of origin	DE

SACC-FR-5SC M SCO - Connector



1432596

<https://www.phoenixcontact.com/us/products/1432596>

Technical data

Mounting

Assembly note	The connector pin assignment can be rotated 45° to the cable outlet
	The wires can be connected both with ferrules and without ferrules

Product properties

Product type	Circular connector (cable-side)
Number of positions	5
No. of cable outlets	1
Shielded	no
Coding	A
Cable outlet	angled

Insulation characteristics

Overvoltage category	II
Degree of pollution	3

Dimensions

External dimensions

Outside diameter	4 mm ... 8 mm (3.5 mm ... 4 mm available on request)
------------------	--

Material specifications

Flammability rating according to UL 94	V0
Seal material	NBR
Material of grip body	PA 6.6
Contact material	CuSn
Contact surface material	Ni/Au
Contact carrier material	TPU
Material for screw connection	Zinc die-cast, nickel-plated

Connection data

Conductor connection

Connection method	Spring-cage connection
Connection cross section	0.14 mm ² ... 0.5 mm ²
Connection cross section AWG	26 ... 20
Stripping length of the individual wire	10 mm
Tightening torque	0.4 Nm (M12 knurl)
	0.4 Nm (Connector with coupling sleeve)
	1.5 Nm (Pressure nut with coupling sleeve)

Electrical properties

SACC-FR-5SC M SCO - Connector



1432596

<https://www.phoenixcontact.com/us/products/1432596>

Contact resistance	$\leq 8 \text{ m}\Omega$
Insulation resistance	$\geq 100 \text{ M}\Omega$
Nominal voltage U_N	60 V
Nominal current I_N	4 A

Mechanical properties

Mechanical data

Insertion/withdrawal cycles	≥ 100
-----------------------------	------------

Connector

Connection 1

Head design	Socket
Head cable outlet	angled
Head thread type	M12
Head locking type	SPEEDCON
Coding	A

Cable/line

Stripping length of the individual wire	10 mm
---	-------

Environmental and real-life conditions

Ambient conditions

Degree of protection	IP65
	IP67
Ambient temperature (operation) (male connector/female connector)	-40 °C ... 85 °C (Plug / socket)

Standards and regulations

M12

Standard designation	M12 connector
Standards/specifications	IEC 61076-2-101

SACC-FR-5SC M SCO - Connector

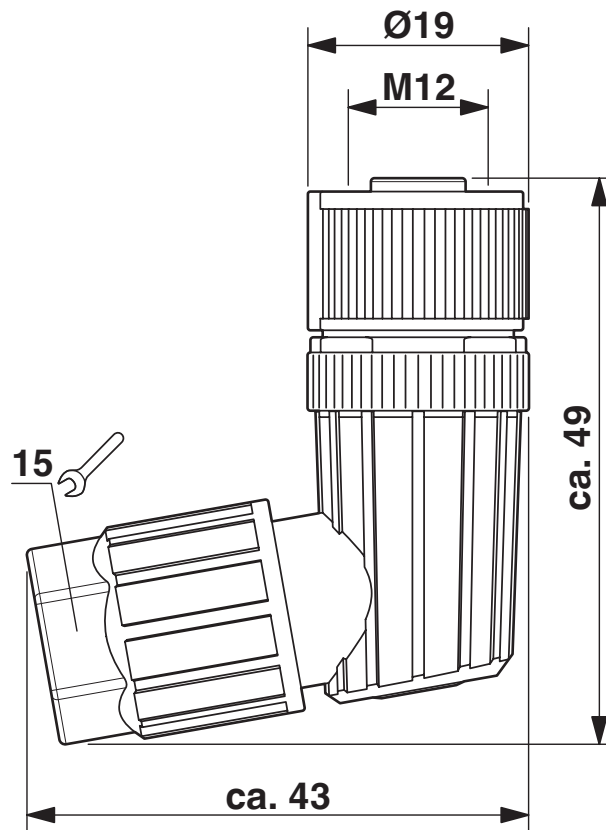
1432596

<https://www.phoenixcontact.com/us/products/1432596>



Drawings

Dimensional drawing



M12-SPEEDCON socket, angled

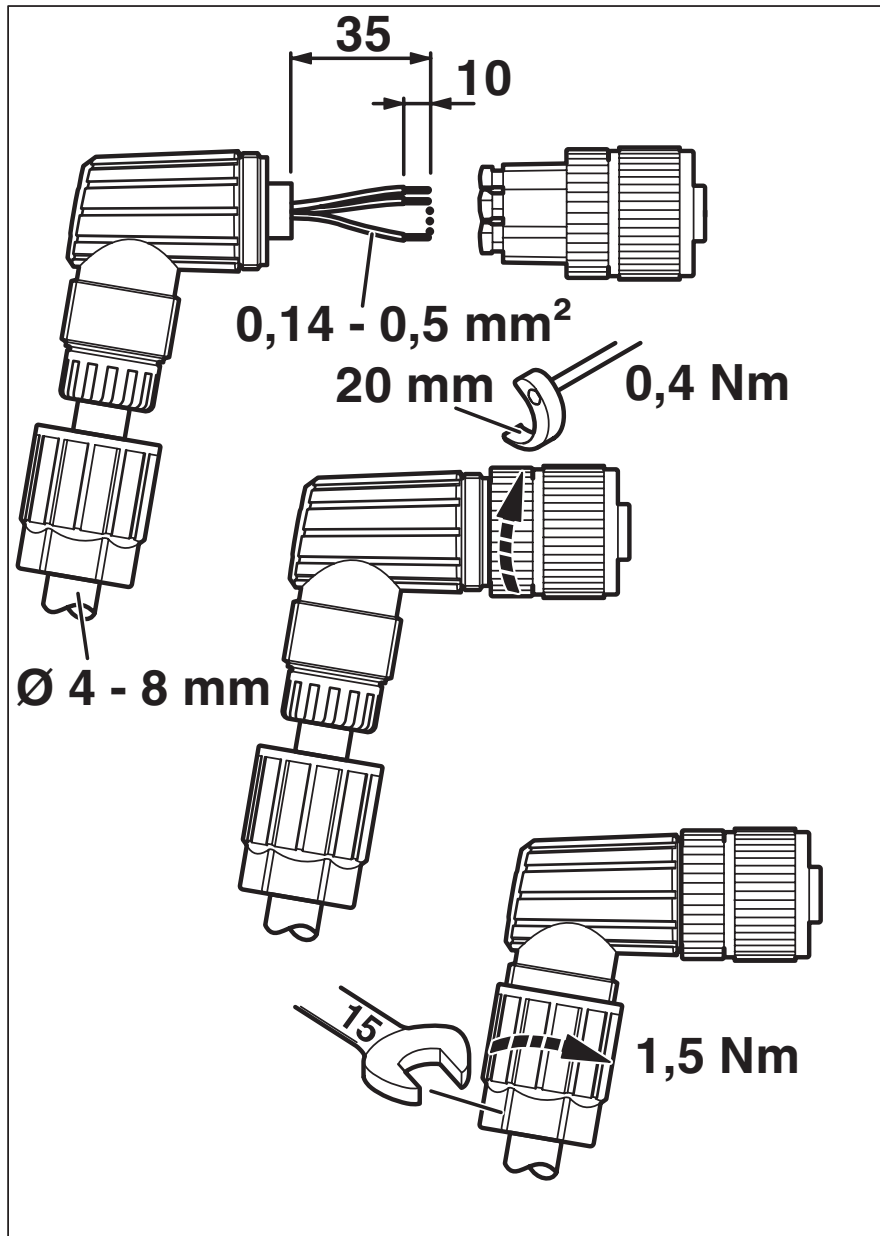
SACC-FR-5SC M SCO - Connector

1432596

<https://www.phoenixcontact.com/us/products/1432596>



Functional drawing



Strip 28 mm off the cable, 35 mm in the case of the angled version, strip single wires, push the pressure nut onto the cable. Slide the wires through the sleeve housing and connect, screw sleeve housing to the plug insert, screw the pressure nut tight.

SACC-FR-5SC M SCO - Connector

1432596

<https://www.phoenixcontact.com/us/products/1432596>



Schematic diagram



Pin assignment M12 socket, 5-pos., A-coded, socket side view

SACC-FR-5SC M SCO - Connector



1432596

<https://www.phoenixcontact.com/us/products/1432596>

Classifications

ECLASS

ECLASS-13.0	27440116
ECLASS-15.0	27440116

SACC-FR-5SC M SCO - Connector



1432596

<https://www.phoenixcontact.com/us/products/1432596>

Environmental product compliance

EU RoHS

Fulfills EU RoHS substance requirements	Yes, No exemptions
---	--------------------

China RoHS

Environment friendly use period (EFUP)	EFUP-E
	No hazardous substances above the limits

EU REACH SVHC

REACH candidate substance (CAS No.)	No substance above 0.1 wt%
-------------------------------------	----------------------------

Phoenix Contact 2026 © - all rights reserved
<https://www.phoenixcontact.com>

Phoenix Contact USA
586 Fulling Mill Road
Middletown, PA 17057, United States
(+717) 944-1300
info@phoenixcon.com