

# PROT-M 8 FS-PA-CHAIN - Sealing cap



1430857

<https://www.phoenixcontact.com/us/products/1430857>

Please be informed that the data shown in this PDF document is generated from our online catalog. Please find the complete data in the user documentation. Our general terms of use for downloads are valid.

M8 sealing cap made of plastic with fixing band for sensor cables, for M8 plugs



## Commercial data

Item number	1430857
Packing unit	10 pc
Minimum order quantity	1 pc
Sales key	BF46
Product key	AF1ZAX
GTIN	4046356332866
Weight per piece (including packing)	2.25 g
Weight per piece (excluding packing)	2 g
Customs tariff number	39269097
Country of origin	DE

# PROT-M 8 FS-PA-CHAIN - Sealing cap

1430857

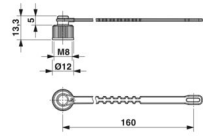
<https://www.phoenixcontact.com/us/products/1430857>

## Technical data

### Product properties

Product type	Protective cap
Thread type	M8

### Dimensions

Dimensional drawing	
Diameter	12 mm

### Material specifications

Material	PA 6.6 GF (Holding band)
Seal material	NBR

### Environmental and real-life conditions

#### Ambient conditions

Degree of protection	IP65 IP67
Ambient temperature (operation) (male connector/female connector)	-25 °C ... 85 °C

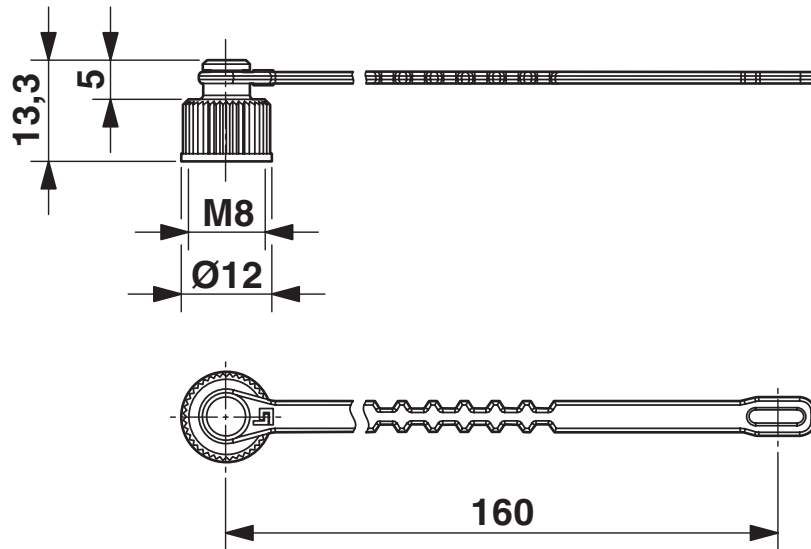
# PROT-M 8 FS-PA-CHAIN - Sealing cap

1430857

<https://www.phoenixcontact.com/us/products/1430857>

## Drawings

Dimensional drawing



Dimensional drawing

# PROT-M 8 FS-PA-CHAIN - Sealing cap



1430857

<https://www.phoenixcontact.com/us/products/1430857>

## Classifications

### ECLASS

ECLASS-13.0	23111190
ECLASS-15.0	27440192

### ETIM

ETIM 10.0	EC002943
-----------	----------

### UNSPSC

UNSPSC 21.0	31261500
-------------	----------

# PROT-M 8 FS-PA-CHAIN - Sealing cap



1430857

<https://www.phoenixcontact.com/us/products/1430857>

## Environmental product compliance

### EU RoHS

Fulfills EU RoHS substance requirements	Yes, No exemptions
---	--------------------

### China RoHS

Environment friendly use period (EFUP)	EFUP-E
	No hazardous substances above the limits

### EU REACH SVHC

REACH candidate substance (CAS No.)	No substance above 0.1 wt%
-------------------------------------	----------------------------

Phoenix Contact 2026 © - all rights reserved  
<https://www.phoenixcontact.com>

Phoenix Contact USA  
586 Fulling Mill Road  
Middletown, PA 17057, United States  
(+717) 944-1300  
[info@phoenixcon.com](mailto:info@phoenixcon.com)