

# SAC-8P-M12MR/ 8,0-PVC/M12FS P - Sensor/actuator cable



1425486

<https://www.phoenixcontact.com/us/products/1425486>

Please be informed that the data shown in this PDF document is generated from our online catalog. Please find the complete data in the user documentation. Our general terms of use for downloads are valid.



Sensor/actuator cable, 4-position, PVC, black RAL 9005, cable length: 8 m

## Your advantages

- Easy and safe: 100 % electrically tested plug-in components

## Commercial data

Item number	1425486
Packing unit	1 pc
Minimum order quantity	50 pc
Product key	AF1CFA
GTIN	4055626404943
Weight per piece (including packing)	424.8 g
Weight per piece (excluding packing)	424 g
Country of origin	PL

# SAC-8P-M12MR/ 8,0-PVC/M12FS P - Sensor/actuator cable

1425486

<https://www.phoenixcontact.com/us/products/1425486>

## Technical data

### Product properties

Product type	Sensor/actuator cable
Application	Standard
Number of positions	4
Shielded	no

### Insulation characteristics

Overvoltage category	II
Degree of pollution	3

### Material specifications

Flammability rating according to UL 94	HB
Seal material	NBR
Material of grip body	TPU, hardly inflammable, self-extinguishing
Contact material	CuSn
Contact surface material	Ni/Au
Contact carrier material	TPU GF
Material for screw connection	Plastic

### Electrical properties

Nominal voltage $U_N$	30 V AC
	30 V DC
Nominal current $I_N$	4 A

### Signaling

Status display	no
Status display present	no

### Cable/line

Cable length	8 m
--------------	-----

### PVC black [PVC]

Dimensional drawing	
Cable weight	40 kg/km
UL AWM Style	2464 / 1729 (80°C/300 V)

# SAC-8P-M12MR/ 8,0-PVC/M12FS P - Sensor/actuator cable



1425486

<https://www.phoenixcontact.com/us/products/1425486>

Number of positions	4
Shielded	no
Cable type	PVC black [PVC]
Conductor structure signal line	19x 0.15 mm
AWG signal line	22
Conductor cross-section	4x 0.34 mm <sup>2</sup> (Signal line)
Wire diameter incl. insulation	1.26 mm ±0.05 mm
External cable diameter	4.70 mm ±0.15 mm
Outer sheath, material	PVC
External sheath, color	black RAL 9005
Conductor material	Bare Cu litz wires
Material wire insulation	PVC
Single wire, color	brown, white, blue, black
Thickness, insulation	≥ 0.23 mm (Core insulation)
Thickness, outer sheath	≥ 0.76 mm
Overall twist	4 wires, twisted
Max. conductor resistance	≤ 57 Ω/km (at 20 °C)
Insulation resistance	≥ 200 MΩ*km (at 20 °C)
Nominal voltage, cable	≤ 300 V
Test voltage	≥ 3000 V
Minimum bending radius, fixed installation	5 x D
Minimum bending radius, flexible installation	10 x D
Smallest bending radius, fixed installation	24 mm
Smallest bending radius, movable installation	47 mm
Flame resistance	As per UL-Style 2464
Resistance to oil	according to DIN EN 60811-2-1, 168 h at 60 °C
Ambient temperature (operation)	-25 °C ... 80 °C (cable, fixed installation) -10 °C ... 80 °C (Cable, flexible installation)

## Environmental and real-life conditions

### Ambient conditions

Degree of protection	IP65 IP68
Ambient temperature (operation)	-25 °C ... 90 °C (Plug / socket)

## Standards and regulations

Standard designation	M12 connector
Standards/specifications	IEC 61076-2-101

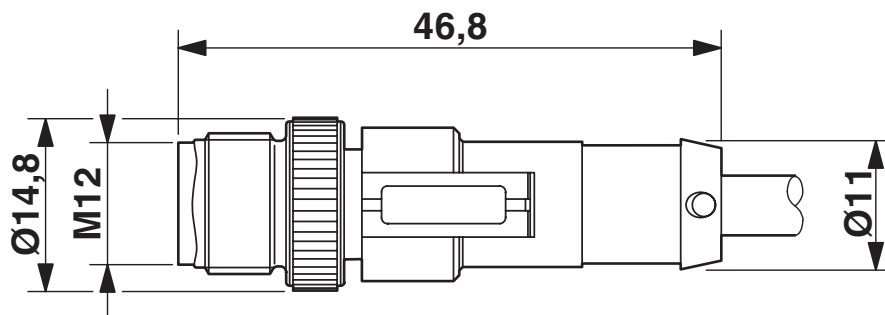
# SAC-8P-M12MR/ 8,0-PVC/M12FS P - Sensor/actuator cable

1425486

<https://www.phoenixcontact.com/us/products/1425486>

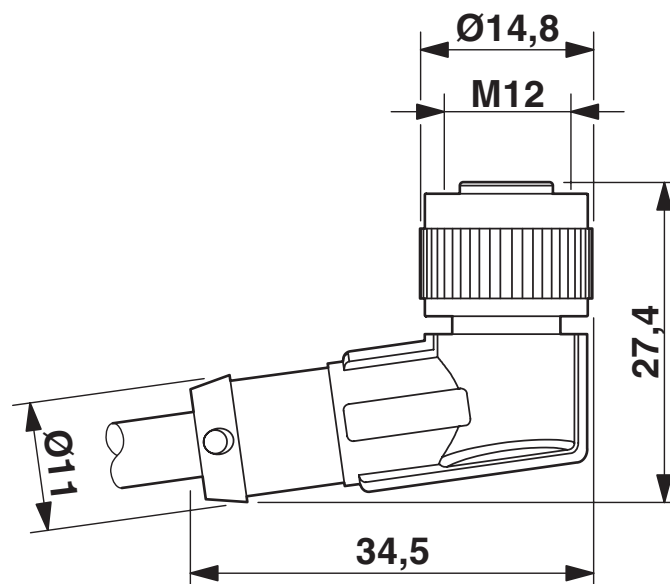
## Drawings

Dimensional drawing



M12 x 1 male plug, angled

Dimensional drawing



M12 x 1 socket, straight

# SAC-8P-M12MR/ 8,0-PVC/M12FS P - Sensor/actuator cable



1425486

<https://www.phoenixcontact.com/us/products/1425486>

Schematic diagram



Pin assignment M12 plug, 4-pos., A-coded, view plug side

# SAC-8P-M12MR/ 8,0-PVC/M12FS P - Sensor/actuator cable

1425486

<https://www.phoenixcontact.com/us/products/1425486>

Schematic diagram



Pin assignment M12 socket, 4-pos., A-coded, view female side

Circuit diagram



Contact assignment of the M12 plug and the M12 socket

# SAC-8P-M12MR/ 8,0-PVC/M12FS P - Sensor/actuator cable



1425486

<https://www.phoenixcontact.com/us/products/1425486>

## Classifications

### ECLASS

ECLASS-13.0	27060311
ECLASS-15.0	27060311

### UNSPSC

UNSPSC 21.0	31251501
-------------	----------

Phoenix Contact 2026 © - all rights reserved

<https://www.phoenixcontact.com>

Phoenix Contact USA  
586 Fulling Mill Road  
Middletown, PA 17057, United States  
(+717) 944-1300  
[info@phoenixcon.com](mailto:info@phoenixcon.com)