

SI-RND-U1A - Data interface

1425185

<https://www.phoenixcontact.com/us/products/1425185>

Please be informed that the data shown in this PDF document is generated from our online catalog. Please find the complete data in the user documentation. Our general terms of use for downloads are valid.

Service socket with USB A 3.0 (socket/socket), with protective cover



Commercial data

Item number	1425185
Packing unit	1 pc
Minimum order quantity	1 pc
Sales key	BF69
Product key	AF7EGX
GTIN	4055626386713
Weight per piece (including packing)	23.12 g
Weight per piece (excluding packing)	21.8 g
Customs tariff number	85366990
Country of origin	DE

1425185

<https://www.phoenixcontact.com/us/products/1425185>

Technical data

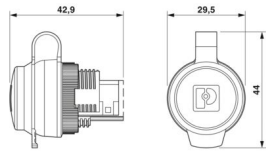
Product properties

Product type	Data front plate
Number of positions	4
Connection profile	USB-A

Electrical properties

Insulation resistance	> 1000 MΩ
Transmission speed	USB 3.0 (socket/socket) type: A

Dimensions

Dimensional drawing	
Width	29.5 mm
Height	42.7 mm

Material specifications

Material Housing	PA
Material Shield	Stainless steel, nickel plated (360° shield contact)
Flammability rating according to UL 94	V0
Contact material	Copper alloy
Contact surface material	gold-plated

Mechanical properties

Mechanical data

Insertion/withdrawal cycles	≥ 1500
-----------------------------	--------

Environmental and real-life conditions

Ambient conditions

Degree of protection	IP65 (with closed protective cover)
Ambient temperature (operation)	-40 °C ... 70 °C

Standards and regulations

Standard designation	Connector standard
Standards/specifications	IEC 60176-3-107
Standard designation	UL standard for communication accessories
Standards/specifications	UL 1863

SI-RND-U1A - Data interface



1425185

<https://www.phoenixcontact.com/us/products/1425185>

Mounting

Assembly note

Panel thickness: 1 mm ... 3 mm

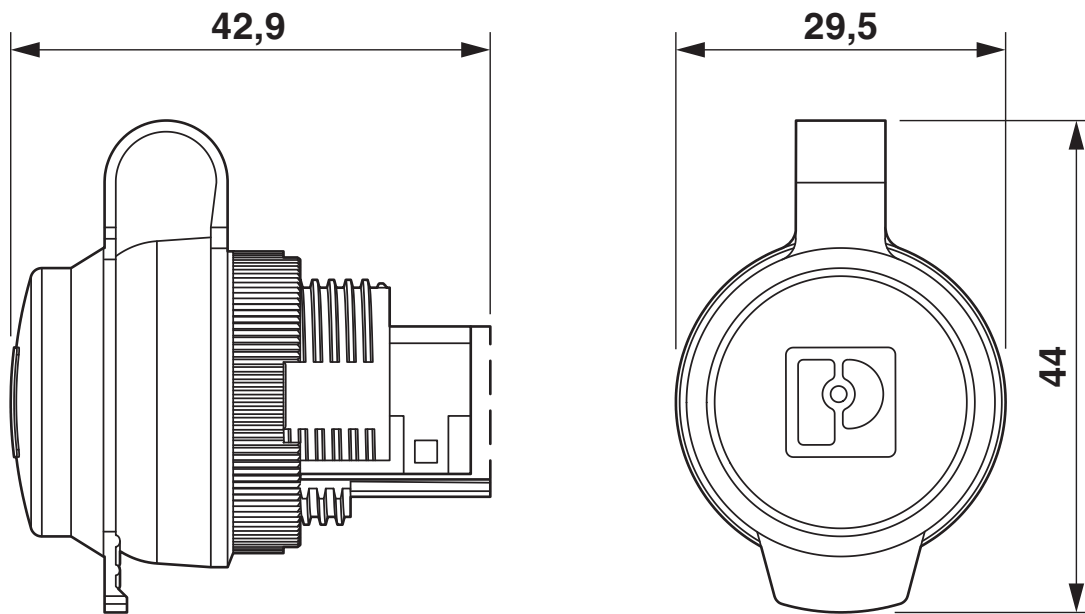
SI-RND-U1A - Data interface

1425185

<https://www.phoenixcontact.com/us/products/1425185>

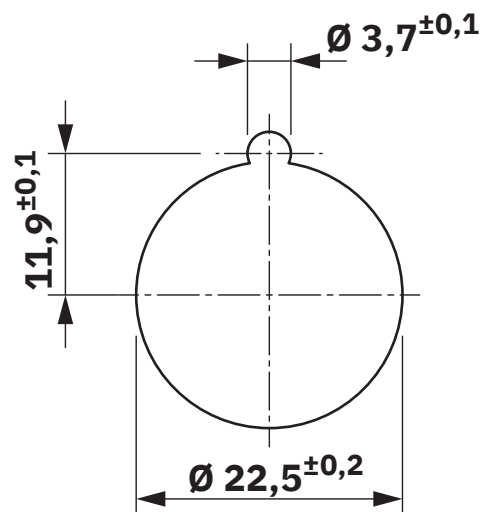
Drawings

Dimensional drawing



Dimensional drawing

Dimensional drawing



Mounting cutout

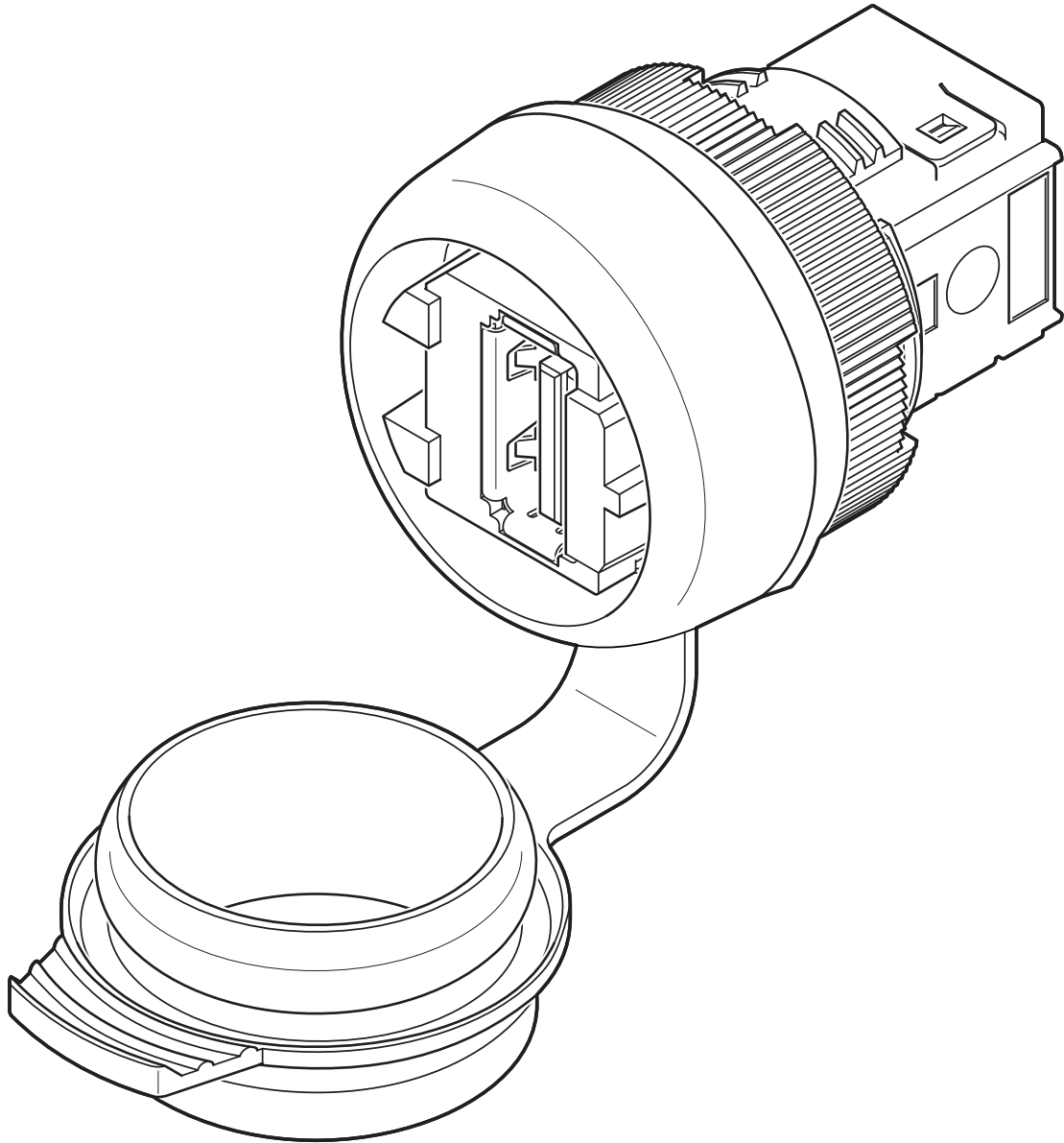
SI-RND-U1A - Data interface

1425185

<https://www.phoenixcontact.com/us/products/1425185>



Schematic diagram



Schematic drawing 1

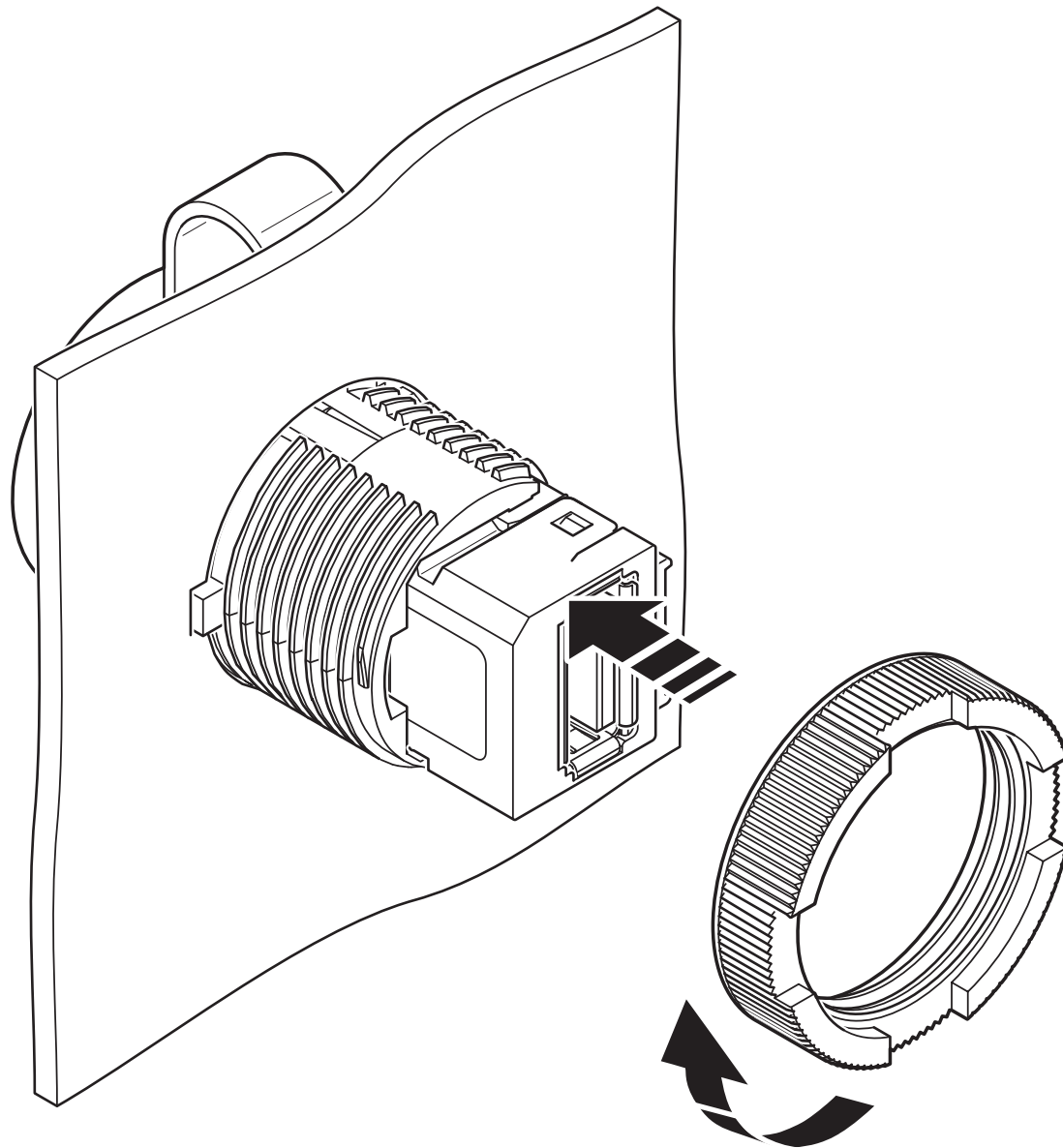
SI-RND-U1A - Data interface

1425185

<https://www.phoenixcontact.com/us/products/1425185>



Schematic diagram



Schematic drawing 2

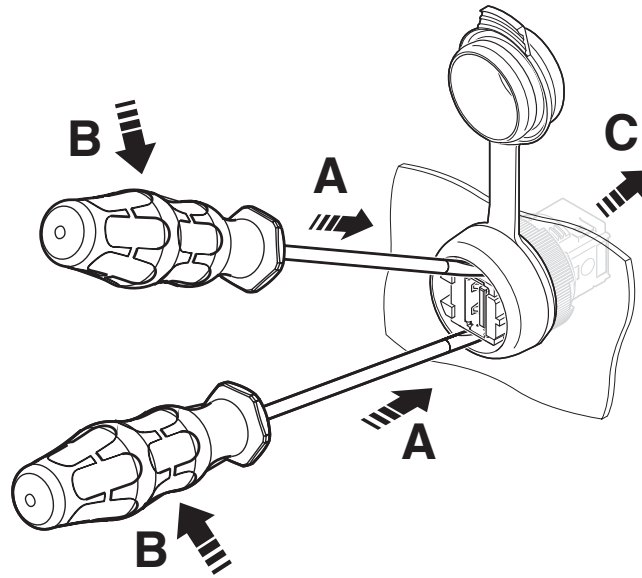
SI-RND-U1A - Data interface

1425185

<https://www.phoenixcontact.com/us/products/1425185>



Schematic diagram



Schematic drawing 3

SI-RND-U1A - Data interface



1425185

<https://www.phoenixcontact.com/us/products/1425185>

Approvals

To download certificates, visit the product detail page: <https://www.phoenixcontact.com/us/products/1425185>



UL Listed

Approval ID: FILE E 335024



cUL Listed

Approval ID: FILE E 335024

SI-RND-U1A - Data interface



1425185

<https://www.phoenixcontact.com/us/products/1425185>

Classifications

ECLASS

ECLASS-13.0	27440209
ECLASS-15.0	27440109

ETIM

ETIM 10.0	EC002641
-----------	----------

UNSPSC

UNSPSC 21.0	39121300
-------------	----------

1425185

<https://www.phoenixcontact.com/us/products/1425185>

Environmental product compliance

EU RoHS

Fulfills EU RoHS substance requirements	Yes
Exemption	6(c)

China RoHS

Environment friendly use period (EFUP)	EFUP-50
	An article-related China RoHS declaration table can be found in the download area for the respective article under "Manufacturer declaration". For all articles with EFUP-E, no China RoHS declaration table issued and required.

EU REACH SVHC

REACH candidate substance (CAS No.)	Lead(CAS: 7439-92-1)
SCIP	2ff81944-64e5-4b9f-b015-9bdc4b399c0e

EF3.1 Climate Change

CO2e kg	2.451 kg CO2e
---------	---------------

Phoenix Contact 2026 © - all rights reserved
<https://www.phoenixcontact.com>

Phoenix Contact USA
586 Fulling Mill Road
Middletown, PA 17057, United States
(+717) 944-1300
info@phoenixcon.com