

A-INL-M16-S-S - Counter nut

1425176

<https://www.phoenixcontact.com/us/products/1425176>

Please be informed that the data shown in this PDF document is generated from our online catalog. Please find the complete data in the user documentation. Our general terms of use for downloads are valid.

Counter nut, for threads M16 x 1.5, color: silver-colored



Commercial data

Item number	1425176
Packing unit	10 pc
Minimum order quantity	1 pc
Sales key	BF68
Product key	AF7DZX
GTIN	4055626385471
Weight per piece (including packing)	3 g
Weight per piece (excluding packing)	2.84 g
Customs tariff number	73269098
Country of origin	DE

A-INL-M16-S-S - Counter nut

1425176

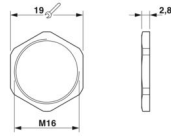
<https://www.phoenixcontact.com/us/products/1425176>

Technical data

Product properties

Product type	Flat nut
Thread type	M16

Dimensions

Dimensional drawing	
Length	2.8 mm
Diameter Connecting thread	16 mm
Connecting thread diameter	16 mm
Wrench size, counter nut	19 mm
Hexagon angular dimension	20.9 mm
Thread type connection side	M16 x 1.5
Thread pitch	1.5 mm

Material specifications

Material	Stainless steel 1.4305
----------	------------------------

Cable/line

Halogen-free	yes
--------------	-----

Environmental and real-life conditions

Ambient conditions

Ambient temperature (operation)	-70 °C ... 220 °C
---------------------------------	-------------------

A-INL-M16-S-S - Counter nut

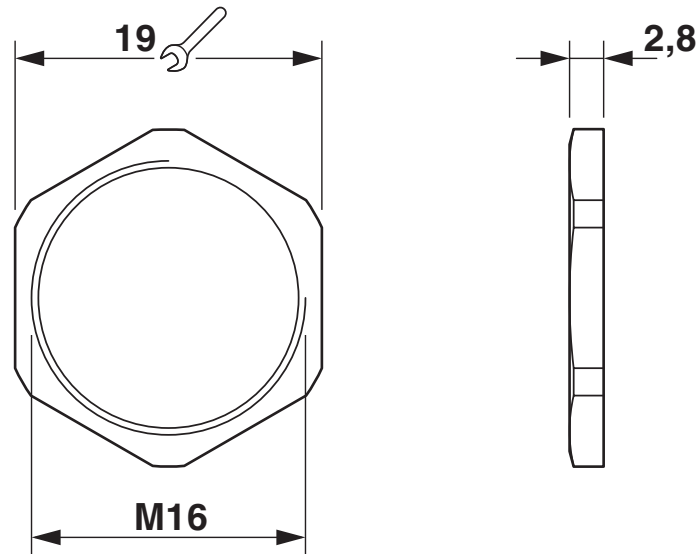
1425176

<https://www.phoenixcontact.com/us/products/1425176>



Drawings

Dimensional drawing



Dimensional drawing

A-INL-M16-S-S - Counter nut



1425176

<https://www.phoenixcontact.com/us/products/1425176>

Classifications

ECLASS

ECLASS-13.0	27140807
ECLASS-15.0	27140807

ETIM

ETIM 10.0	EC003608
-----------	----------

UNSPSC

UNSPSC 21.0	31161700
-------------	----------

A-INL-M16-S-S - Counter nut



1425176

<https://www.phoenixcontact.com/us/products/1425176>

Environmental product compliance

EU RoHS

Fulfills EU RoHS substance requirements	Yes, No exemptions
---	--------------------

China RoHS

Environment friendly use period (EFUP)	EFUP-E
	No hazardous substances above the limits

EU REACH SVHC

REACH candidate substance (CAS No.)	No substance above 0.1 wt%
-------------------------------------	----------------------------

Phoenix Contact 2026 © - all rights reserved
<https://www.phoenixcontact.com>

Phoenix Contact USA
586 Fulling Mill Road
Middletown, PA 17057, United States
(+717) 944-1300
info@phoenixcon.com