

# SAC-4P-M12MSL/10,0-PVC - Power cable



1425088

<https://www.phoenixcontact.com/us/products/1425088>

Please be informed that the data shown in this PDF document is generated from our online catalog. Please find the complete data in the user documentation. Our general terms of use for downloads are valid.



Power cable, 4-position, PVC, black-gray RAL 7021, Plug straight M12, coding: L, on free cable end, cable length: 10 m, for direct current up to 16 A/63 V

## Your advantages

- Easy and safe: 100 % electrically tested plug-in components
- Protection against mismatching, thanks to special L-coding

## Commercial data

Item number	1425088
Packing unit	1 pc
Minimum order quantity	1 pc
Sales key	BF05
Product key	AF1CCR
GTIN	4055626384269
Weight per piece (including packing)	1,725.1 g
Weight per piece (excluding packing)	1,669.4 g
Customs tariff number	85444290
Country of origin	PL

# SAC-4P-M12MSL/10,0-PVC - Power cable



1425088

<https://www.phoenixcontact.com/us/products/1425088>

## Technical data

### Product properties

Product type	Power cable
Application	Energy supply
Number of positions	4
No. of cable outlets	1
Shielded	no
Coding	L

### Insulation characteristics

Overvoltage category	III
Degree of pollution	3

### Material specifications

Flammability rating according to UL 94	V0
Material of grip body	PP
Contact material	CuZn
Contact surface material	Ni/Au
Contact carrier material	PA
Material for screw connection	Zinc die-cast, nickel-plated

### Electrical properties

Insulation resistance	$\geq 100 \text{ M}\Omega$
Nominal voltage $U_N$	63 V DC
Nominal current $I_N$	16 A

### Mechanical properties

#### Mechanical data

Insertion/withdrawal cycles	$\geq 100$
-----------------------------	------------

### Connector

#### Connection 1

Type	Plug straight M12
Coding type	L (Power)

#### Connection 2

Type	free cable end
------	----------------

### Cable/line

Cable length	10 m
--------------	------

PVC black [PVC]

# SAC-4P-M12MSL/10,0-PVC - Power cable



1425088

<https://www.phoenixcontact.com/us/products/1425088>

Dimensional drawing	
Cable weight	168 kg/km
UL AWM Style	20233 / 10493 (80°C/300 V)
Number of positions	4
Shielded	no
Cable type	PVC black [PVC]
Conductor structure, voltage supply	141x 0.15 mm
AWG power supply	14
Conductor cross-section	4x 2.5 mm <sup>2</sup>
Wire diameter incl. insulation	3 mm ±0.1 mm
External cable diameter	9.50 mm ±0.3 mm
Outer sheath, material	PVC
External sheath, color	black-gray RAL 7021
Conductor material	Bare Cu litz wires
Material wire insulation	PVC
Single wire, color	brown, white, blue, black
Thickness, insulation	≥ 0.36 mm
Thickness, outer sheath	approx. 0.76 mm
Max. conductor resistance	≤ 8 Ω/km (at 20 °C)
Insulation resistance	≥ 100 MΩ*km (at 20 °C)
Nominal voltage, cable	≤ 300 V AC
Test voltage	≥ 3000 V AC (Spark test)
Minimum bending radius, fixed installation	5 x D
Minimum bending radius, flexible installation	10 x D
Smallest bending radius, fixed installation	48 mm
Smallest bending radius, movable installation	95 mm
Dynamic load capacity (bending)	Max. bending cycles: 2000000, Bending radius: 10 x D, Traversing path: 10 m, Traversing rate: 3 m/s, Acceleration: 10 m/s <sup>2</sup>
Flame resistance	According to UL 758/1581 (Cable Flame) according to UL 758/1581 FT1 According to DIN EN 60332-1-2
Resistance to oil	according to DIN EN 60811-404, 168 h at 60 °C
Ambient temperature (operation)	-40 °C ... 80 °C (cable, fixed installation) -20 °C ... 80 °C (Cable, flexible installation)

## Environmental and real-life conditions

# SAC-4P-M12MSL/10,0-PVC - Power cable



1425088

<https://www.phoenixcontact.com/us/products/1425088>

## Ambient conditions

Degree of protection	IP65
	IP67
Ambient temperature (operation) (male connector/female connector)	-25 °C ... 85 °C (Plug / socket)

## Standards and regulations

Standard designation	M12 connector
Standards/specifications	IEC 61076-2-111

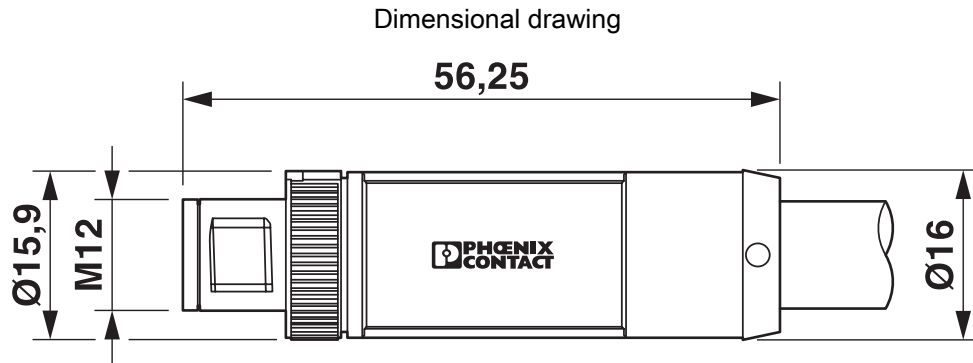
# SAC-4P-M12MSL/10,0-PVC - Power cable



1425088

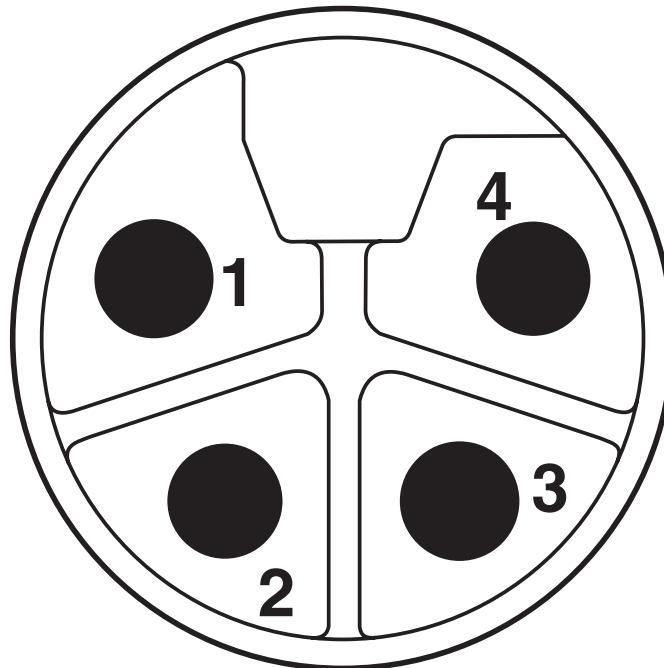
<https://www.phoenixcontact.com/us/products/1425088>

## Drawings



Plug, M12 x 1, straight, shielded

## Schematic diagram



Pin assignment M12 male connector, 4-pos.

# SAC-4P-M12MSL/10,0-PVC - Power cable



1425088

<https://www.phoenixcontact.com/us/products/1425088>

Circuit diagram



Contact assignment of the M12 plug

# SAC-4P-M12MSL/10,0-PVC - Power cable



1425088

<https://www.phoenixcontact.com/us/products/1425088>

## Approvals

🔗 To download certificates, visit the product detail page: <https://www.phoenixcontact.com/us/products/1425088>



**UL Listed**

Approval ID: E468743



**cUL Listed**

Approval ID: E468743



**EAC-RoHS**

Approval ID: RU D-DE.HB35.B.00387

# SAC-4P-M12MSL/10,0-PVC - Power cable



1425088

<https://www.phoenixcontact.com/us/products/1425088>

## Classifications

### ECLASS

ECLASS-13.0	27060327
ECLASS-15.0	27060327

### ETIM

ETIM 10.0	EC001855
-----------	----------

### UNSPSC

UNSPSC 21.0	26121600
-------------	----------

# SAC-4P-M12MSL/10,0-PVC - Power cable



1425088

<https://www.phoenixcontact.com/us/products/1425088>

## Environmental product compliance

### EU RoHS

Fulfills EU RoHS substance requirements	Yes, No exemptions
---	--------------------

### China RoHS

Environment friendly use period (EFUP)	EFUP-E
	No hazardous substances above the limits

### EU REACH SVHC

REACH candidate substance (CAS No.)	No substance above 0.1 wt%
-------------------------------------	----------------------------

### EF3.1 Climate Change

CO2e kg	13.158 kg CO2e
---------	----------------

Phoenix Contact 2026 © - all rights reserved  
<https://www.phoenixcontact.com>

Phoenix Contact USA  
586 Fulling Mill Road  
Middletown, PA 17057, United States  
(+717) 944-1300  
[info@phoenixcon.com](mailto:info@phoenixcon.com)