

QPD W 5X1,5 M25 1,0 BK B-S - Panel feed-through



1424877

<https://www.phoenixcontact.com/us/products/1424877>

Please be informed that the data shown in this PDF document is generated from our online catalog. Please find the complete data in the user documentation. Our general terms of use for downloads are valid.



Panel feed-through, connection method: Single wires, M25, 690 V, 17.5 A, PA, black, without QUICKON nut, coding: Coding profile, 1.5 mm², cable length: 1 m, pin assignment: 1 = RD, 2 = BK, 3 = WH, 4 = BN, 5 = VT

Commercial data

Item number	1424877
Packing unit	1 pc
Minimum order quantity	100 pc
Product key	AF6ACA
GTIN	4055626382814
Weight per piece (including packing)	138.4 g
Weight per piece (excluding packing)	138.4 g
Country of origin	PL

QPD W 5X1,5 M25 1,0 BK B-S - Panel feed-through



1424877

<https://www.phoenixcontact.com/us/products/1424877>

Technical data

Product properties

Product type	Panel feed-through
Product family	QPD
Type	QPD 5x1,5
Number of positions	5
Position marking	1, 2, 3, 4, 5
Number of connections	10
Number of connections per position	1
Coding	Coding profile

Insulation characteristics

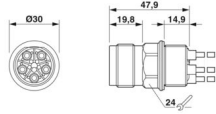
Overvoltage category	III
Degree of pollution	3

Connection data

Connection technology

Connection method On the device side	Single wires
Frequency of connections between conductors of the same cross section	max. 10

Dimensions

Dimensional drawing	
Width	30 mm
Height	30 mm
Length	47.9 mm
Diameter	30 mm

Electrical properties

Rated surge voltage (II/2)	8 kV
Rated surge voltage (III/2)	8 kV
Rated surge voltage (III/3)	6 kV
Rated current	17.5 A
Contact resistance	< 3 mΩ
rated voltage (II/2)	1000 V
rated voltage (III/2)	1000 V
Rated voltage (III/3)	690 V
Nominal voltage U_N	690 V
Nominal current I_N	17.5 A

QPD W 5X1,5 M25 1,0 BK B-S - Panel feed-through



1424877

<https://www.phoenixcontact.com/us/products/1424877>

Mechanical properties

Mechanical data

Insertion/withdrawal cycles	max. 50
-----------------------------	---------

Material specifications

Color	black (RAL 9005)
Material Housing	PA
Material Contact	Cu
Material Contact surface	silver-plated
Flammability rating according to UL 94	V0

Cable/line

Cable length	1 m
Structure of individual litz in acc. with VDE 0295 / smallest wire diameter	VDE 0295 class 1 to 6/min. 0.15 mm
Wire diameter including insulation	1.6 mm ... 3 mm
Position marking	1, 2, 3, 4, 5
Single wire, color	red, black, white, violet, brown
Cable cross section	1.5 mm ²
Material wire insulation	PVC / PE

Mounting

Mounting type	Front mounting M25
---------------	--------------------

Environmental and real-life conditions

Ambient conditions

Degree of protection	IP66
	IP68 (2 m / 24 h)
	IP69K
Impact strength	IK07
Ambient temperature (operation)	-40 °C ... 100 °C
Temperature when conductor connected	-5 °C ... 50 °C
Ambient temperature (storage/transport)	-40 °C ... 100 °C

QPD W 5X1,5 M25 1,0 BK B-S - Panel feed-through

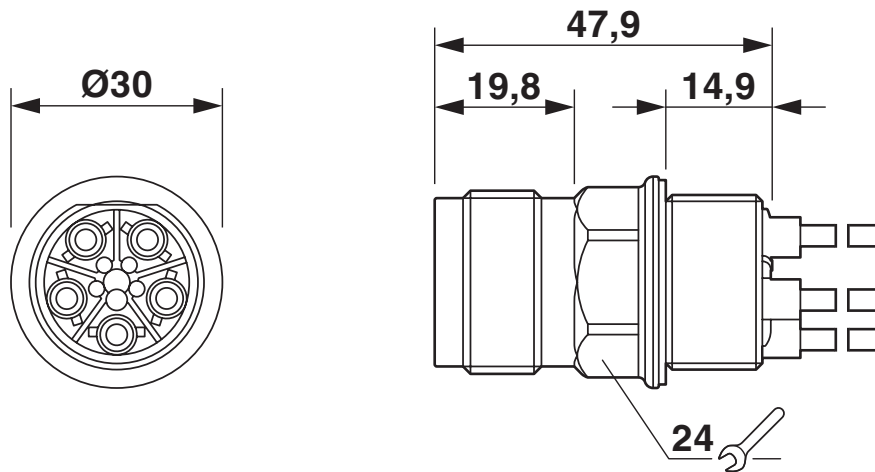


1424877

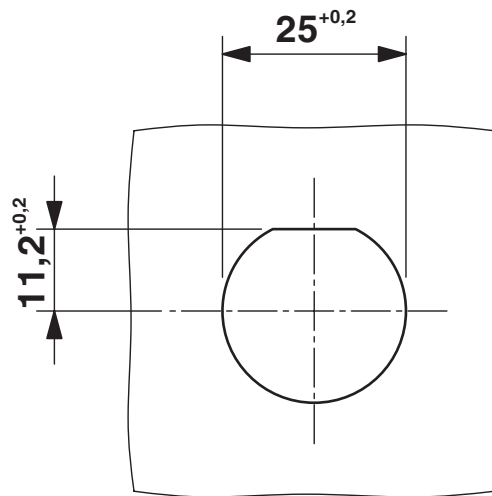
<https://www.phoenixcontact.com/us/products/1424877>

Drawings

Dimensional drawing



Dimensional drawing



Panel cutout

QPD W 5X1,5 M25 1,0 BK B-S - Panel feed-through



1424877

<https://www.phoenixcontact.com/us/products/1424877>

Classifications

ECLASS

ECLASS-13.0	27440602
ECLASS-15.0	27440602

UNSPSC

UNSPSC 21.0	39121413
-------------	----------

QPD W 5X1,5 M25 1,0 BK B-S - Panel feed-through



1424877

<https://www.phoenixcontact.com/us/products/1424877>

Environmental product compliance

China RoHS

Environment friendly use period (EFUP)	EFUP-50
	An article-related China RoHS declaration table can be found in the download area for the respective article under "Manufacturer declaration". For all articles with EFUP-E, no China RoHS declaration table issued and required.

EU REACH SVHC

REACH candidate substance (CAS No.)	No substance above 0.1 wt%
-------------------------------------	----------------------------

Phoenix Contact 2026 © - all rights reserved
<https://www.phoenixcontact.com>

Phoenix Contact USA
586 Fulling Mill Road
Middletown, PA 17057, United States
(+717) 944-1300
info@phoenixcon.com