

SAC-5PT-FB/MB-MBF PBDP SH - T distributor



1424713

<https://www.phoenixcontact.com/us/products/1424713>

Please be informed that the data shown in this PDF document is generated from our online catalog. Please find the complete data in the user documentation. Our general terms of use for downloads are valid.



T distributor, PROFIBUS DP (12 Mbps), 5-position, shielded, Socket straight M12, coding: B, on Plug straight M12, coding: B and Plug straight M12, coding: B, Fixed M12 thread on plug input

Your advantages

- Safe use in the field, thanks to a high degree of protection
- Reliable signal transmission – 360° shielding in environments with electromagnetic interference

Commercial data

Item number	1424713
Packing unit	1 pc
Minimum order quantity	1 pc
Sales key	BF10
Product key	AF1GAA
GTIN	4055626376769
Weight per piece (including packing)	50.3 g
Weight per piece (excluding packing)	50.3 g
Customs tariff number	85366990
Country of origin	DE

1424713

<https://www.phoenixcontact.com/us/products/1424713>

Technical data

Product properties

Product type	T-distributor
Sensor type	PROFIBUS DP
Number of positions	5
No. of cable outlets	2
Shielded	yes
Coding	B
Thread type	M12

Insulation characteristics

Overvoltage category	II
Degree of pollution	3

Electrical properties

Nominal voltage U_N	48 V AC
	60 V DC
Nominal current I_N	1 A (Contact 2 and 4)
	4 A (Contact 1 and 3)
Transmission medium	Copper
Transmission speed	12 Mbps

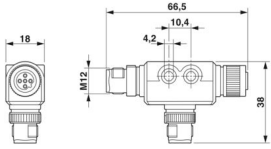
Interfaces

Signal type/category	PROFIBUS DP, 12 Mbps
----------------------	----------------------

Signaling

Status display	no
Status display present	no

Dimensions

Dimensional drawing	
Height	18 mm
Length	66.5 mm

Material specifications

Material	PBT (Female connector contact carrier)
	(Pin contact carrier)
Flammability rating according to UL 94	V0
Seal material	NBR

SAC-5PT-FB/MB-MBF PBDP SH - T distributor



1424713

<https://www.phoenixcontact.com/us/products/1424713>

Material of grip body	PBT
Contact material	CuZn (pin) / CuSn (socket)
Contact surface material	Ni/Au
Material for screw connection	Zinc die-cast, nickel-plated

Connector

Connection 1

Type	Socket straight M12
Coding type	B

Connection 2

Type	Plug straight M12
Coding type	B

Connection 3

Type	Plug straight M12
Coding type	B

Cable/line

Signal type/category	PROFIBUS DP, 12 Mbps
----------------------	----------------------

Mechanical properties

Mechanical data

Insertion/withdrawal cycles	≥ 100
-----------------------------	-------

Environmental and real-life conditions

Ambient conditions

Degree of protection	IP65
Ambient temperature (operation) (male connector/female connector)	-25 °C ... 85 °C (Plug / socket)

Standards and regulations

Standard designation	M12 connector
Standards/specifications	according to IEC 61076-2-101

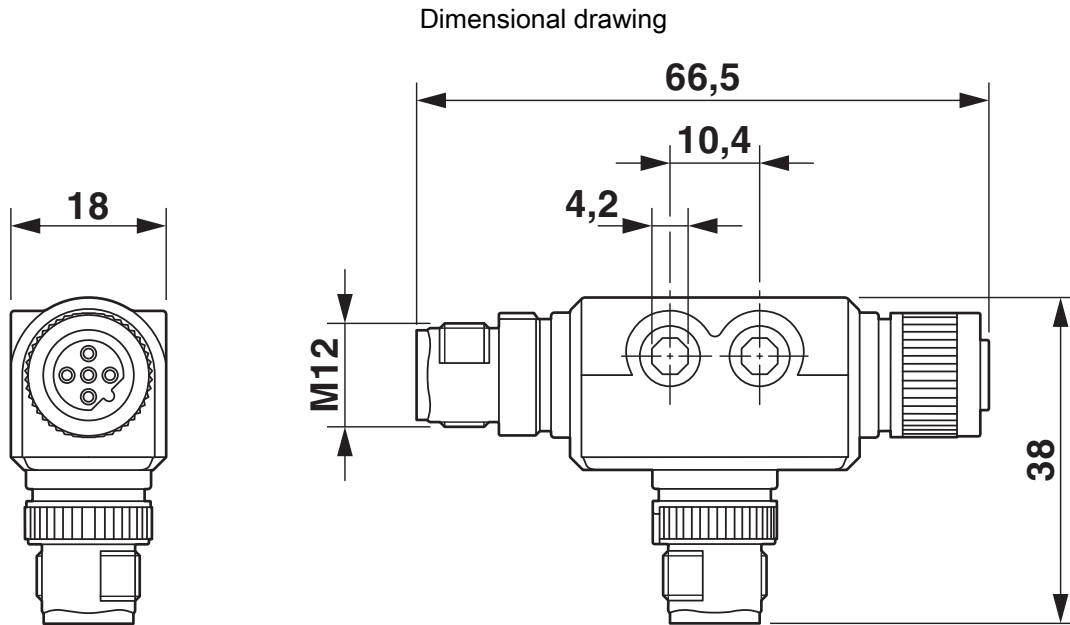
SAC-5PT-FB/MB-MBF PBDP SH - T distributor



1424713

<https://www.phoenixcontact.com/us/products/1424713>

Drawings



M12 T distributor

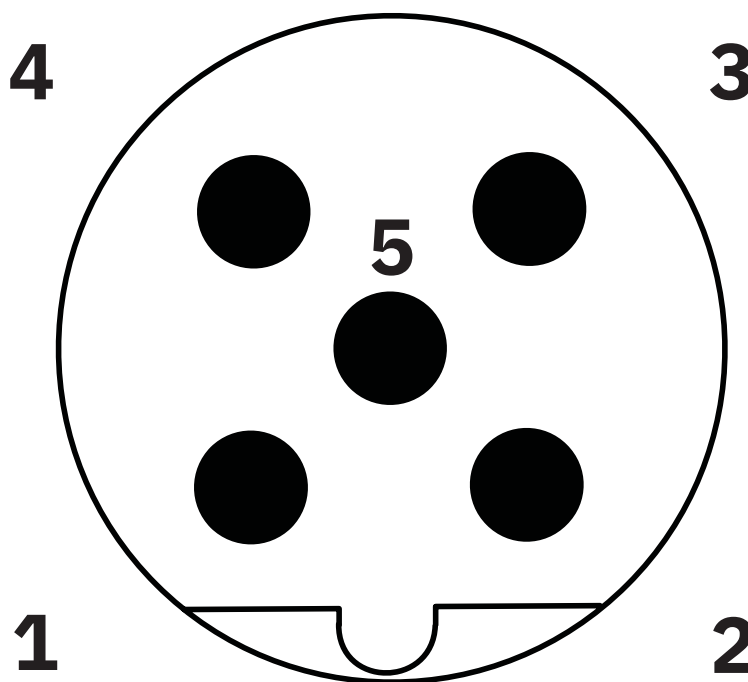
SAC-5PT-FB/MB-MBF PBDP SH - T distributor



1424713

<https://www.phoenixcontact.com/us/products/1424713>

Schematic diagram



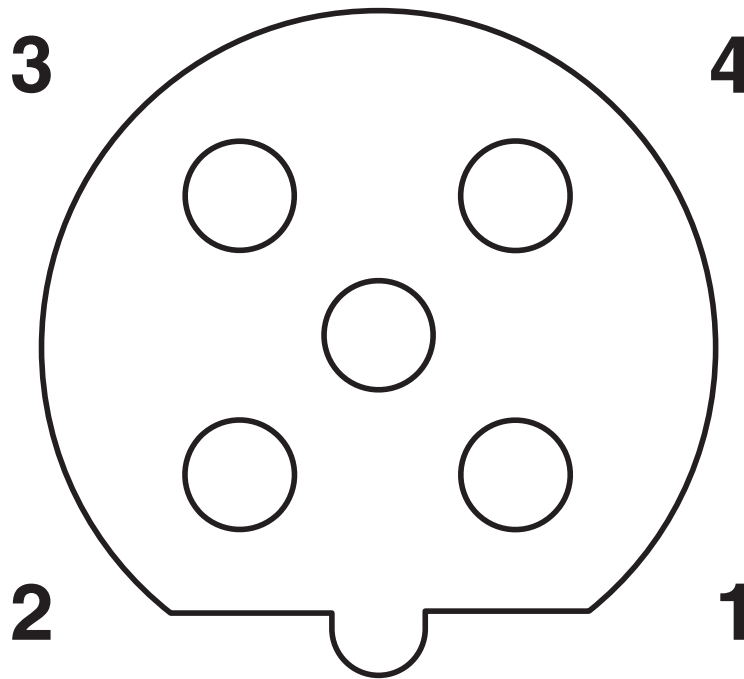
Pin assignment M12 male connector, 5-pos., B-coded, male side

SAC-5PT-FB/MB-MBF PBDP SH - T distributor

1424713

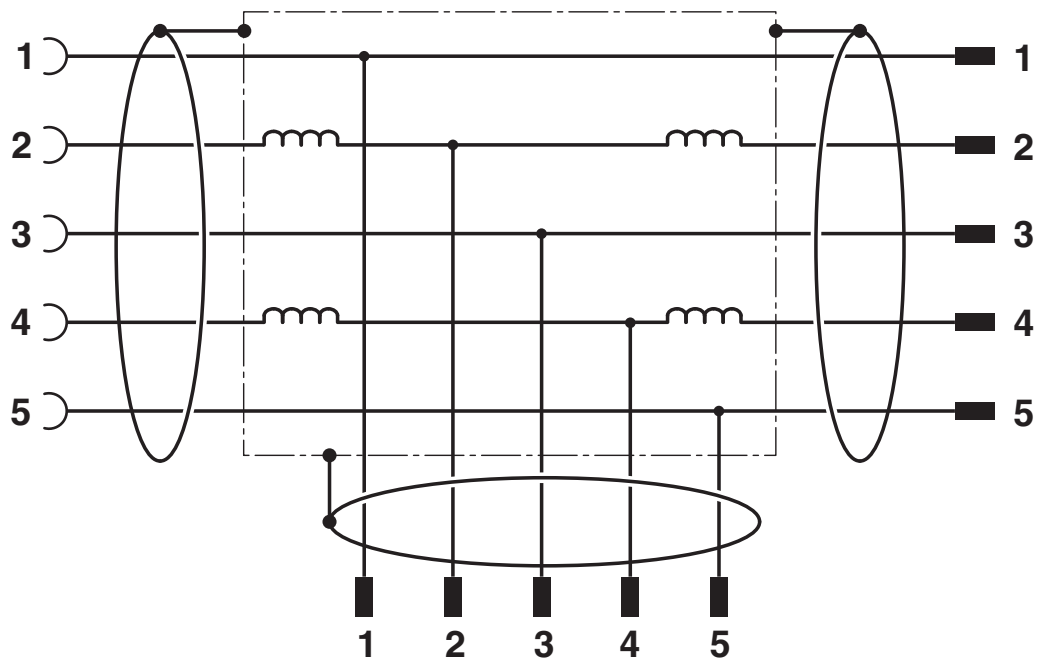
<https://www.phoenixcontact.com/us/products/1424713>

Schematic diagram



Pin assignment M12 socket, 5-pos., B-coded, female side

Circuit diagram



Contact assignment of the M12 plug and the M12 socket

SAC-5PT-FB/MB-MBF PBDP SH - T distributor



1424713

<https://www.phoenixcontact.com/us/products/1424713>

Classifications

ECLASS

ECLASS-13.0	27440106
ECLASS-15.0	27440106

ETIM

ETIM 10.0	EC002925
-----------	----------

UNSPSC

UNSPSC 21.0	31251500
-------------	----------

SAC-5PT-FB/MB-MBF PBDP SH - T distributor



1424713

<https://www.phoenixcontact.com/us/products/1424713>

Environmental product compliance

EU RoHS

Fulfills EU RoHS substance requirements	Yes, No exemptions
---	--------------------

China RoHS

Environment friendly use period (EFUP)	EFUP-E
	No hazardous substances above the limits

EU REACH SVHC

REACH candidate substance (CAS No.)	No substance above 0.1 wt%
-------------------------------------	----------------------------

Phoenix Contact 2026 © - all rights reserved
<https://www.phoenixcontact.com>

Phoenix Contact USA
586 Fulling Mill Road
Middletown, PA 17057, United States
(+717) 944-1300
info@phoenixcon.com