

HC-HPR-D07-HHWH-1TTM25-EM-BK - Housing



1424639

<https://www.phoenixcontact.com/us/products/1424639>

Please be informed that the data shown in this PDF document is generated from our online catalog. Please find the complete data in the user documentation. Our general terms of use for downloads are valid.



Sleeve housing D7, with screw locking, material: Die-cast zinc, cable outlets: 1, straight, 1x M25, height: 60 mm, cable gland: none, protective cover: no, Railway applications, for increased environmental and EMC requirements, Series HPR

Your advantages

- Vibration and shock: IEC 61373/EN 50155, category 1, class 1B

Commercial data

Item number	1424639
Packing unit	1 pc
Minimum order quantity	1 pc
Sales key	BF60
Product key	AF7AAJ
GTIN	4055626375687
Weight per piece (including packing)	87.5 g
Weight per piece (excluding packing)	87.5 g
Customs tariff number	85389099
Country of origin	CN

1424639

<https://www.phoenixcontact.com/us/products/1424639>

Technical data

Notes

General	for contact inserts HC-D7, D8, A3, A4, HS2-D7, Q5, Q7, Q12
---------	--

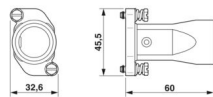
Product properties

Product type	Housing with screw locking
Housing type	Sleeve housing
Series	HPR-D7
Application	Railway applications
Type	D7
No. of cable outlets	1
Type of the screw connection	1x M25
Protective cover	no
Shielded	yes
Cable outlet	straight
Pg screw connection	none

Connection data

Tightening torque	1 Nm (Locking screw)
-------------------	----------------------

Dimensions

Dimensional drawing	
Width	32.4 mm
Height	60 mm
Length	45.5 mm

Material specifications

Housing material	Die-cast zinc
Housing surface material	Powder-coated, black
Locking latch material	Stainless steel

Environmental and real-life conditions

Ambient conditions

Degree of protection	IP66 (with sealing screw)
	IP68 (0.4 bar / 30 min. with sealing screw)
	IP69 (ISO 20653:2013-02, with sealing screw)
Impact strength	IK09
Ambient temperature (operation)	-40 °C ... 125 °C

1424639

<https://www.phoenixcontact.com/us/products/1424639>

Mechanical properties

Mechanical data

Type of the screw connection	1x M25
Locking type	Screw

Mounting

Assembly note	M4 locking screw, slotted hexagon head screw (wrench size 7), tightening torque: 1 Nm. The seal of the pin contact insert should be removed. Max. thread length of the screw connection: 6 mm
	Mount contact insert with sealing screw in the housing

HC-HPR-D07-HHWH-1TTM25-EM-BK - Housing

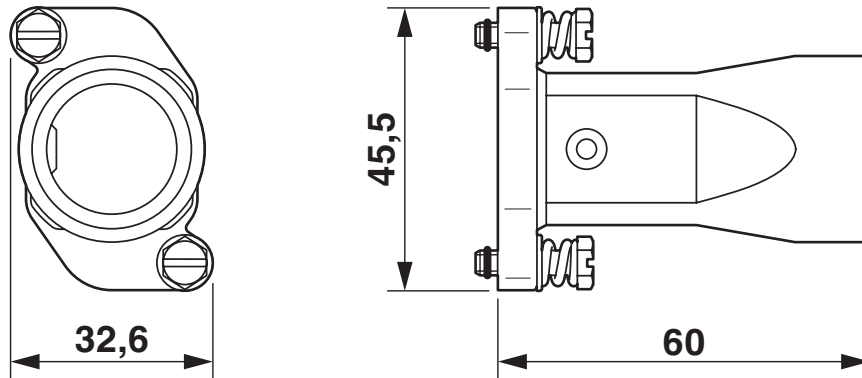


1424639

<https://www.phoenixcontact.com/us/products/1424639>

Drawings

Dimensional drawing



Dimensional drawing

HC-HPR-D07-HHWH-1TTM25-EM-BK - Housing



1424639

<https://www.phoenixcontact.com/us/products/1424639>

Approvals

🔗 To download certificates, visit the product detail page: <https://www.phoenixcontact.com/us/products/1424639>

DNV

Approval ID: TAE000037S

1424639

<https://www.phoenixcontact.com/us/products/1424639>

Classifications

ECLASS

ECLASS-13.0	27440202
ECLASS-15.0	27440202

ETIM

ETIM 10.0	EC000437
-----------	----------

UNSPSC

UNSPSC 21.0	31261500
-------------	----------

1424639

<https://www.phoenixcontact.com/us/products/1424639>

Environmental product compliance

EU RoHS

Fulfills EU RoHS substance requirements	Yes, No exemptions
---	--------------------

China RoHS

Environment friendly use period (EFUP)	EFUP-E
	No hazardous substances above the limits

EU REACH SVHC

REACH candidate substance (CAS No.)	No substance above 0.1 wt%
-------------------------------------	----------------------------

Phoenix Contact 2026 © - all rights reserved
<https://www.phoenixcontact.com>

Phoenix Contact USA
586 Fulling Mill Road
Middletown, PA 17057, United States
(+717) 944-1300
info@phoenixcon.com